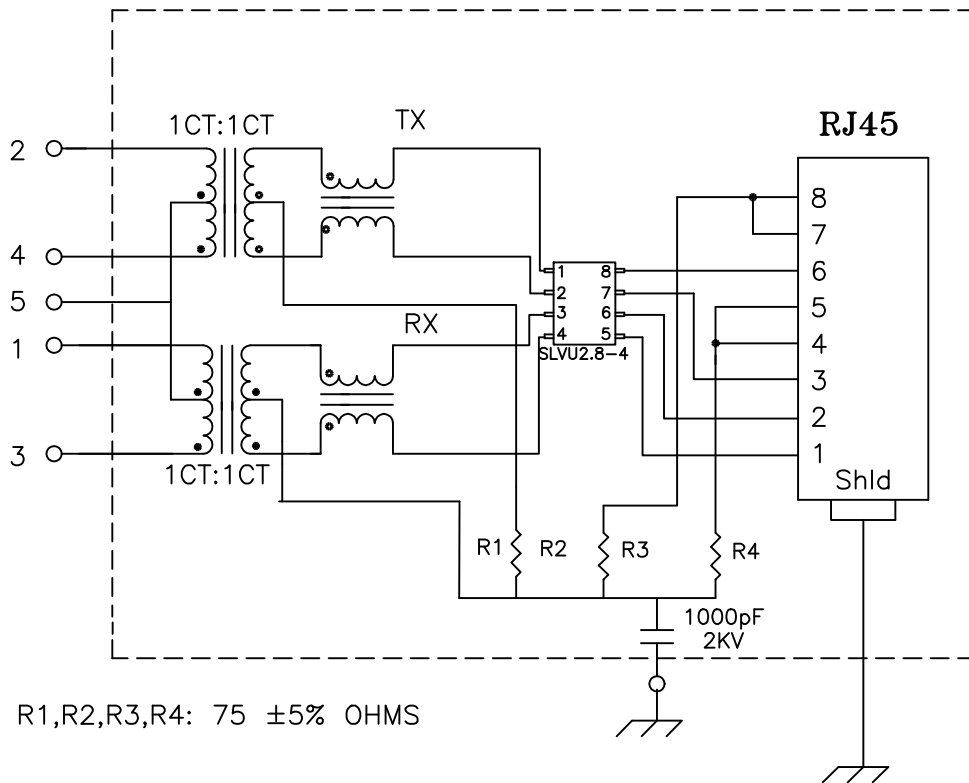


Schematic: (one of twelve)



Electrical Specifications: @25°C

- Isolation Voltage: 1500 Vrms (Input to Output)
- Isolation Voltage: 500 Vrms (P1+2+3 to P4+5+6)
- Turns Ratio: TX 1CT:1CT ±3% RX 1CT:1CT ±3%
- CABLE SIDE OCL: 350uH Minimum @100KHz 100mV 8mADC
- Cw/w: 27pF Typical @100KHz 100mV
- Insertion Loss (300KHz-100MHz): -1.0dB Maximum
- Return Loss: @30MHz -18dB Minimum
- @80MHz -12dB Minimum

Notes:

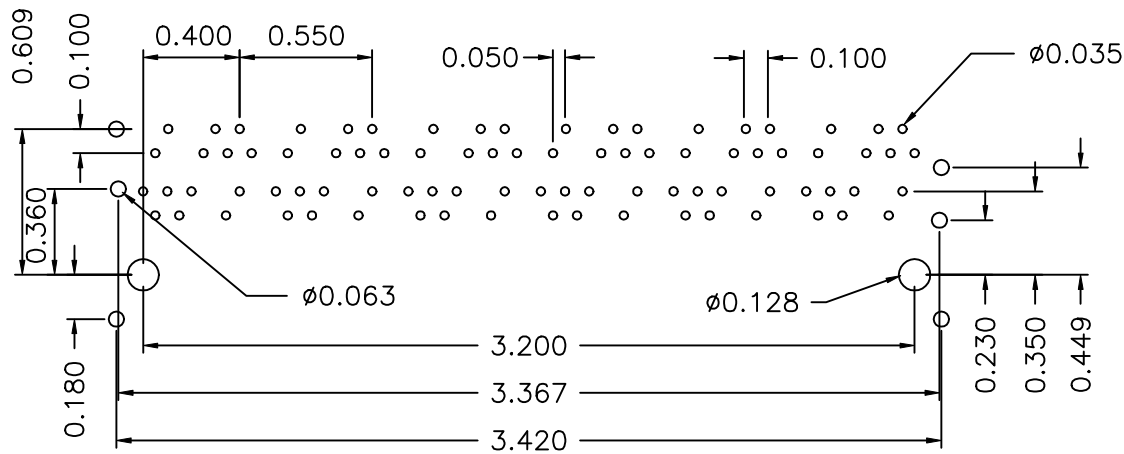
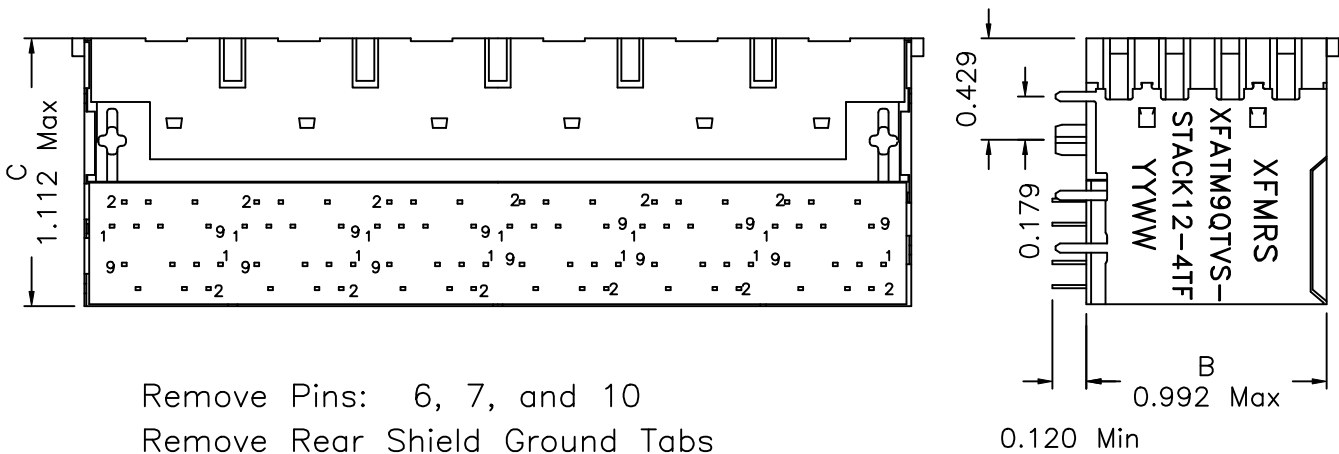
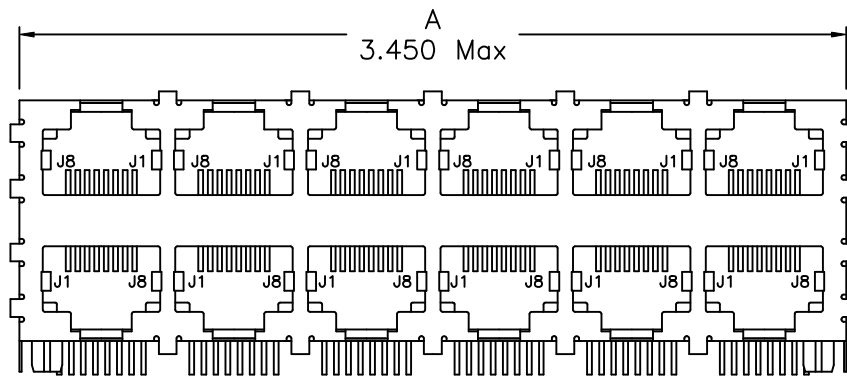
1. Solderability: Leads shall meet MIL-STD-202, Method 208D for solderability.
2. Flammability: UL94V-0
3. ASTM oxygen index: > 28%
4. Insulation System: Class F 155°C. UL file E151556
5. Operating Temperature Range: All listed parameters are to be within tolerance from -40°C to +85°C
6. Storage Temperature Range: -55°C to +125°C
7. Aqueous wash compatible

PRELIMINARY

DOC. REV: A/1

XFMRs Inc.	Title: 2X6 PORT COMBO		
UNLESS OTHERWISE SPECIFIED TOLERANCES: .xxx ±0.010 Dimensions in Inch	P/N: XFATM9QTVS-STACK12-4TF		REV. A
	DWN.	刘鹏	Mar-3-03
	CHK.	李小锋	Mar-3-03
	SHEET 1 OF 2	APP. BW	Mar-3-03

Mechanical Dimensions:



SUGGESTED MOUNTING PATTERN (COMPONENT SIDE)

PRELIMINARY

DOC. REV. A/1

XFMRs Inc.	Title: Mechanical Dimensions For 2x6 STACKED COMBO Series		
	UNLESS OTHERWISE SPECIFIED TOLERANCES: .xxx ±0.010 Dimensions in Inch	P/N: XFATM9QTVS-STACK12-4TF	REV. A
SHEET 2 OF 2	DWN.	刘 鹏	Mar-3-03
	CHK.	李小锋	Mar-3-03
	APP.	BW	Mar-3-03