



Features

- Frequency Range: 20~200MHz
- Active Bias Design Supply Temperature Compensation
- Standard Hermetic Package
- Operating Temperature Range: -55°C ~ +85°C

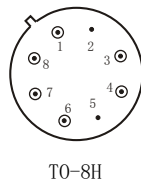
Specifications (50 Ω, V_{CC} = +12V, T_A = -55°C ~ +85°C)

Parameter	Symbol	Unit	Guaranteed	Typical
Frequency Range	f _L ~f _H	MHz	20~200	--
Gain	G _p	dB	≥30.0	31.0
Gain Flatness	ΔG _p	dB	≤±0.5	±0.3
Noise Figure	F _n	dB	≤5.0 Δ	4.0
VSWR	VSWR	--	≤2.0:1	1.6:1
VGC Range	Att	dB	≥50.0	--
Output Power @ 1dB Compression	P ₋₁	dBm	≥6.0 * Δ	8.0
DC Current	I _{CC}	mA	--	50
Turning Voltage	V _t	V	--	0~12/0~10

- 1) "*"f = 100MHz; "Δ" T_A = 24 ± 1°C;
- 2) G_p and F_n are tested at V_t = 12VDC.

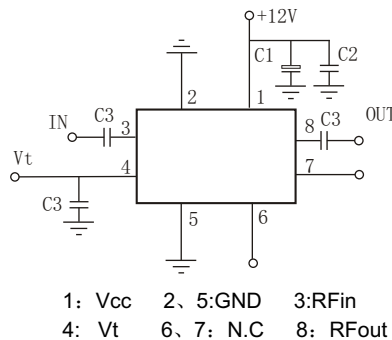
Maximum Rating

DC Voltage : +15VDC
RF Input: +10dBm
Storage Temp: +125°C



Application Notes

1. Typical application shown as right, C₁ = 3.3~22 μF ; C₂ = 3300~6800pF; C₃ = 3300pF;
3. See assembly section for mounting method



Typical Curve

