

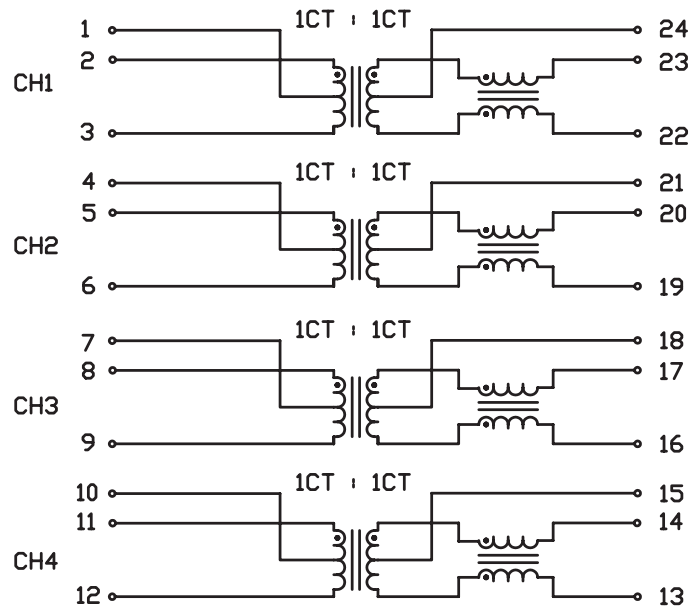
10GBASE-T ETHERNET MAGNETICS

S558-10GB-02 Single Port Transformer Module



ELECTRICAL SPECIFICATION @25°C

SCHEMATIC



TURNS RATIO

(2-3) : (23-22)
 (5-6) : (20-19)
 (8-9) : (17-16)
 (11-12) : (14-13)

1CT : 1CT
 1CT : 1CT
 1CT : 1CT
 1CT : 1CT

POLARITY

2°&23°, 5°&20°
 8°&17°, 11°&14°

DCL

(2-3) = (5-6)
 (8-9) = (11-12)

@100kHz, 100mV
 62μH MIN

INSERTION LOSS

FREQ.(MHz)	1	2-300	400	500
dB MAX	0.3	1.0	1.5	2.0

RETURN LOSS

FREQ.(MHz)	1	2-300	400	500	600
dB MIN	18	20	15	12	9

CM TO DM REJECTION RATIO

FREQ.(MHz)	50	100	200	300	400	500
dB TYP	48	42	36	33	30	28

CM TO CM REJECTION RATIO

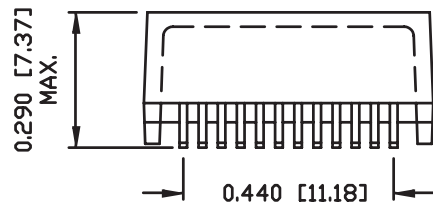
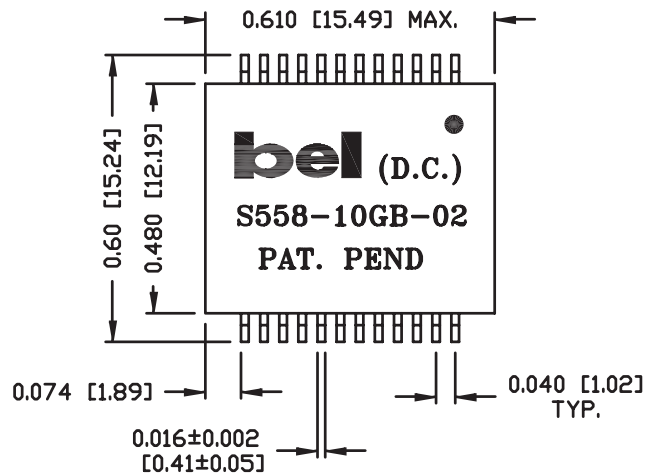
FREQ.(MHz)	50	100	200	300	400	500
dB TYP	30	27	24	22	21	20

HIPOT

1500Vrms

10GBASE-T ETHERNET MAGNETICS

S558-10GB-02 Single Port Transformer Module



NOTES:

1. STANDARD MARKING REFER TO DOC. HAND-WORK-04.
2. PACKAGE CODE: 'QABS001'.

SUGGESTED PCB PAD LAYOUT

