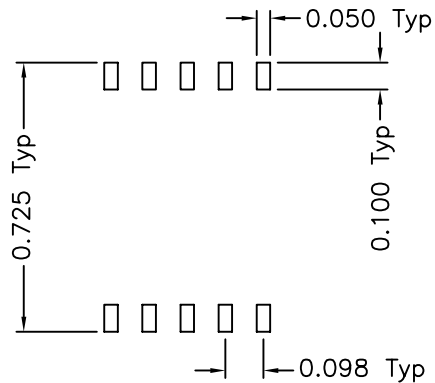
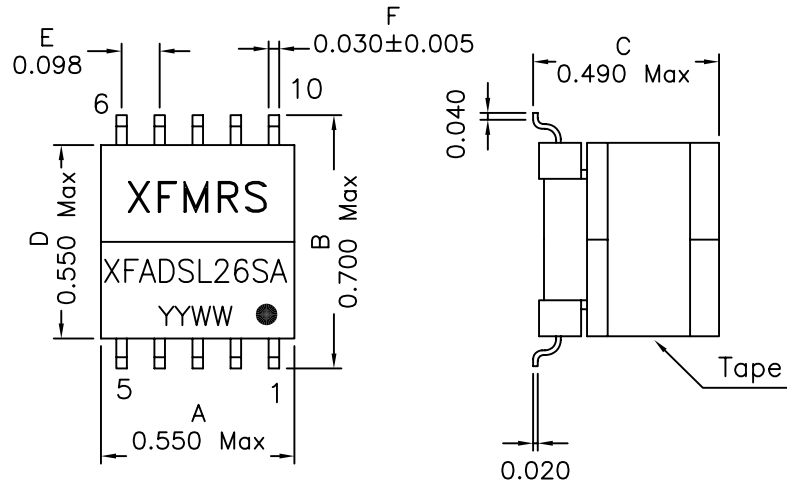


1. Dimensions:



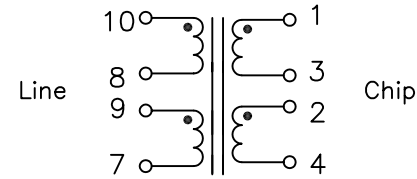
Suggested PCB Layout

Notes:

1. Solderability: Leads shall meet MIL-STD-202, Method 208D for solderability.
2. Flammability: UL94V-0
3. ASTM oxygen index: > 28%
4. Insulation System: Class F 155°C. UL file E151556
5. Operating Temperature Range: All listed parameters are to be within tolerance from -40°C to +85°C
6. Storage Temperature Range: -55°C to +125°C
7. Aqueous wash compatible

DOC. REV A/1

2.Schematic:



3.Electrical Specifications: @25°C

Turns Ratio: (P10-7):(P1-4) = 1CS:1CS±2% (TIE P3-2,P8-9)

PIN1-4 OCL: 480uH ±10% @10KHz 0.1V (TIE PIN2-3) Ls

PIN1-4 LL: 5.3uH Max @100KHz 0.1V

(CONNECT PIN2-3, Short 10-7) Ls

DC Res.: P1-4 2.20 Ohms Max

P10-7 2.20 Ohms Max

Insertion Loss: 1.0dB Max @100Khz & 1.1MHz

Long. Bal.: -55dB Max @30KHz-1.1MHz

Return Loss: -6dB Max @30KHz

Return Loss: -16dB Max @130KHz - 1.1MHz

HIPOT: 1500VAC Chip-Line

Designed to meet UL1950 requirements for Supplementary Insulation with 250 working volts.

XFMRs Inc	Title: TRANSFORMER		
	UNLESS OTHERWISE SPECIFIED TOLERANCES: .xxx ±0.010 Dimensions in INCH	P/N: XFADSL26SA	REV. A
	DWN.	李小锋	Dec-19-02
	CHK.	廖玉坤	Dec-19-02
	APP.	BW	Dec-19-02