

5-W Stereo Class-D Audio Amplifier with 64-Step DC Volume Control

DESCRIPTION

The EUA2105 is a high efficiency, 2 channel bridged-tied load (BTL), class-D audio power amplifier. Operating from a 12V power supply, EUA2105 is capable of delivering 5W/ channel of continuous output power to a 8Ω load with 1% THD+N. The EUA2105 features a differential input architecture offering improved noise immunity over a single-ended (SE) input amplifier. Stereo speaker volume is controlled with a dc voltage applied to the volume control terminal offering a range of gain from -68dB to 32dB.

The EUA2105 also features short-circuit and thermal protection preventing the device from being damaged during a fault condition. The EUA2105 is available in thermally efficient 28-pin TSSOP package.

FEATURES

- Wide Supply Voltage: 8V to 15V
- Unique Modulation Scheme Reduces EMI Emission
- 5W/ch into an 8Ω Load From 12V Supply
- Efficient, Class-D Operation Eliminates Heatsinks
- 64-Step DC Volume Control From -68dB to 32dB
- Thermal and Short-Circuit Protection
- Integrated Click and Pop Suppression
- 28-pin TSSOP Package with Thermal Pad
- RoHS compliant and 100% lead(Pb)-free

APPLICATIONS

- LCD Monitors/TVs
- All-in-One PCs

Typical Application Circuit

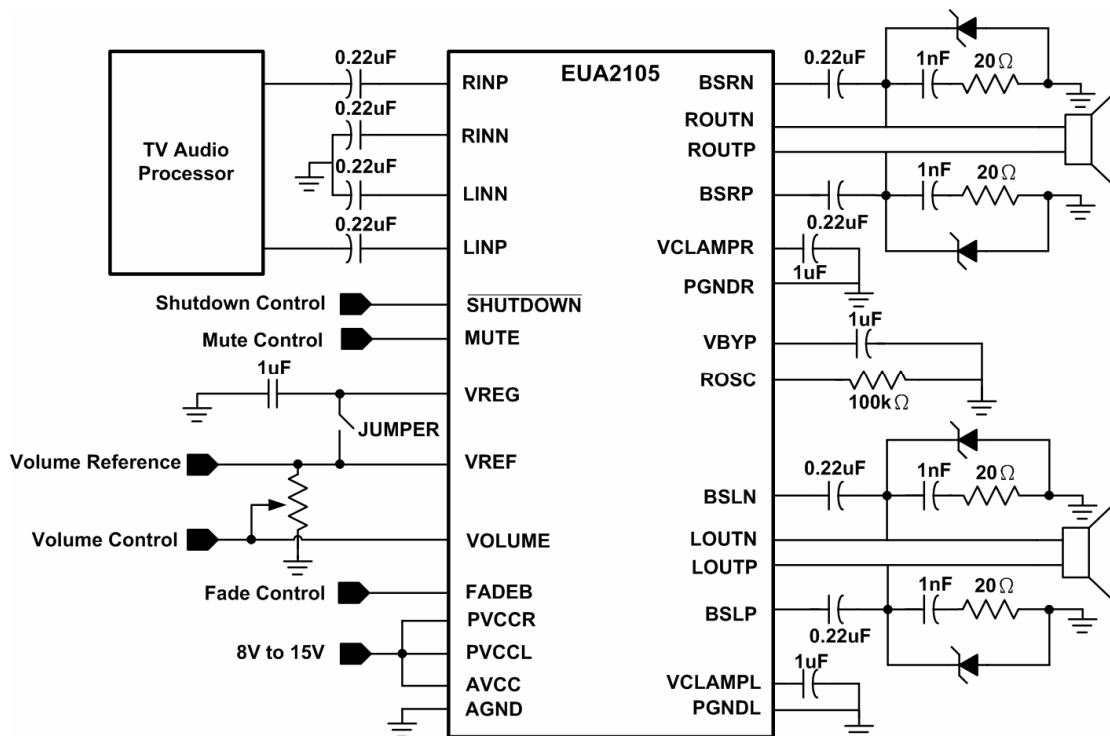


Figure1.