

KR Electronics 2660 Bandpass Filter

General Description

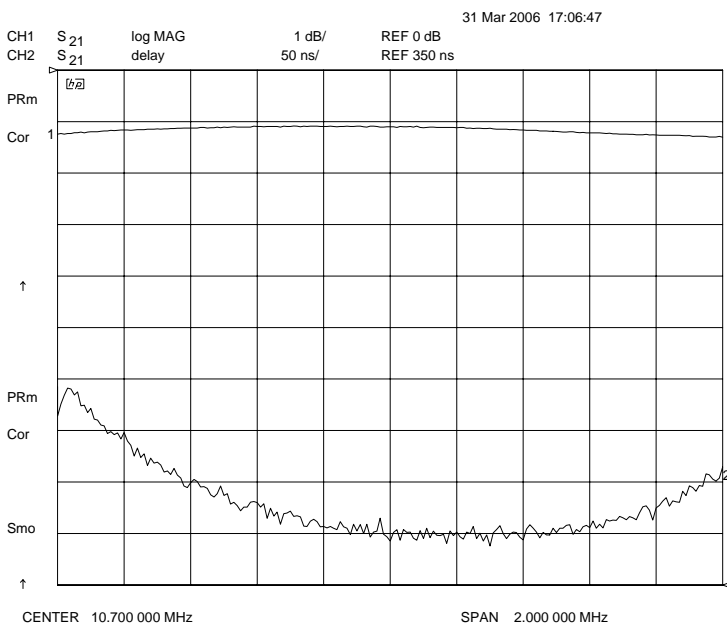
KR 2660 is a 10.7 MHz surface mount bandpass filter. Other center frequencies and bandwidths available. Please consult the factory.

Features

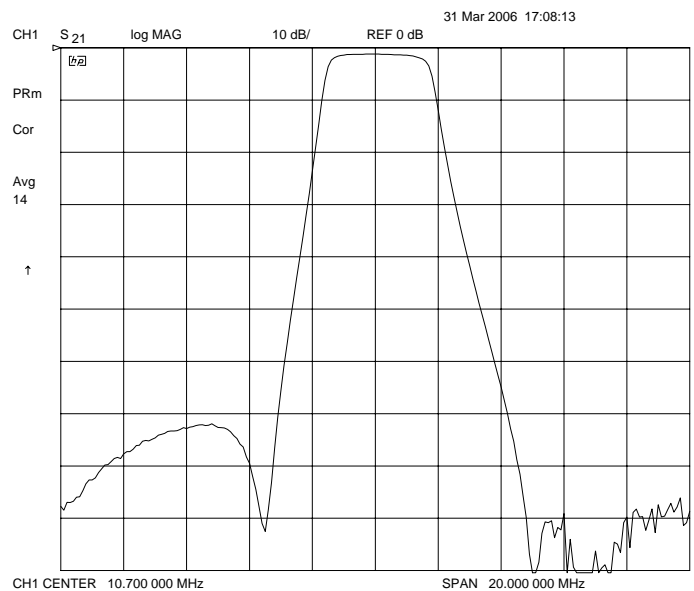
- 10.7 MHz Center Frequency
- Elliptic Type Design
- High Stopband Rejection
- Surface Mount Package
- 50 Ω Source and Load

Typical Performance

Passband Amplitude & Group Delay
(1 dB/div and 50 nsec/div)



Overall Response
(10 dB/div)



KR Electronics, Inc.
91 Avenel Street
Avenel, NJ 07001

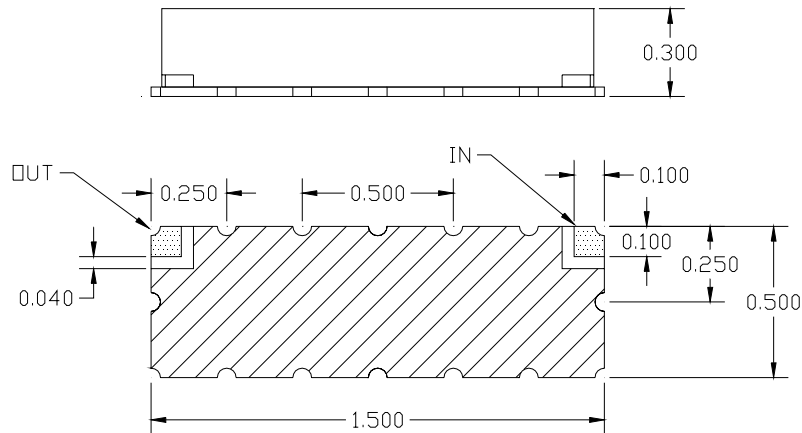
Web www.krfilters.com
Email sales@krfilters.com
Phone (732) 636-1900
Fax (732) 636-1982

KR Electronics 2660 Bandpass

Specifications

Parameter	Specification	Typical
Filter type	Bandpass	
Center Frequency	10.7 MHz	
Insertion Loss	< 2 dB	1.25 dB
1 dB Bandwidth	2 MHz min	2.88 MHz
65 dB Bandwidth	7.5 MHz max	6.75 MHz
Source and Load	50 Ω	

Physical Dimensions



Notes:

1. Surface mount package — Metal cover (can also be supplied in a package with SMA Connectors)
2. Dimensions in inches
3. If boards are cleaned after installation, dry units completely.