

Customer's name :

Specification No. : Ref.CE-P680 03/10

## Specifications sheet for approval

Product name : L250-HOLDER

Parts No. : 914-A00680

### Page No.

page	item	drawing No.
1	Drawing	AL2-041-02
2	Packing specification	
3	Physical properties	

Approval Signature

### CITIZEN ELECTRONICS CO.,LTD

1-23-1,Kami-Kurechi,Fujiyoshida-shi,  
Yamanashi-Ken 403-0001,JAPAN

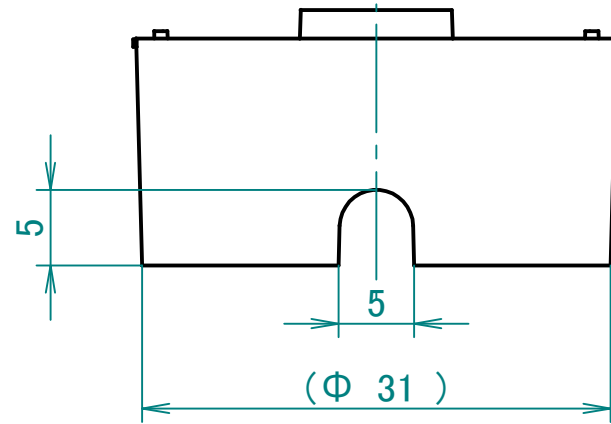
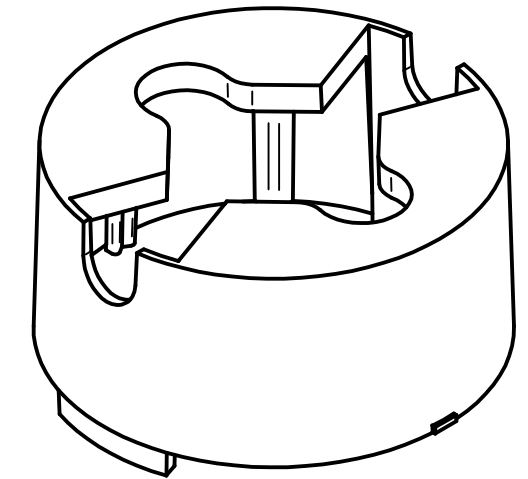
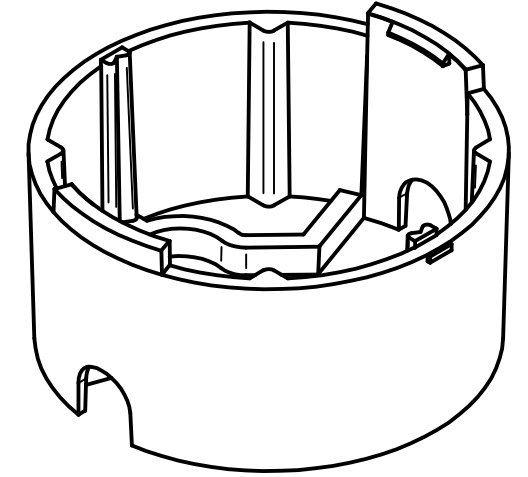
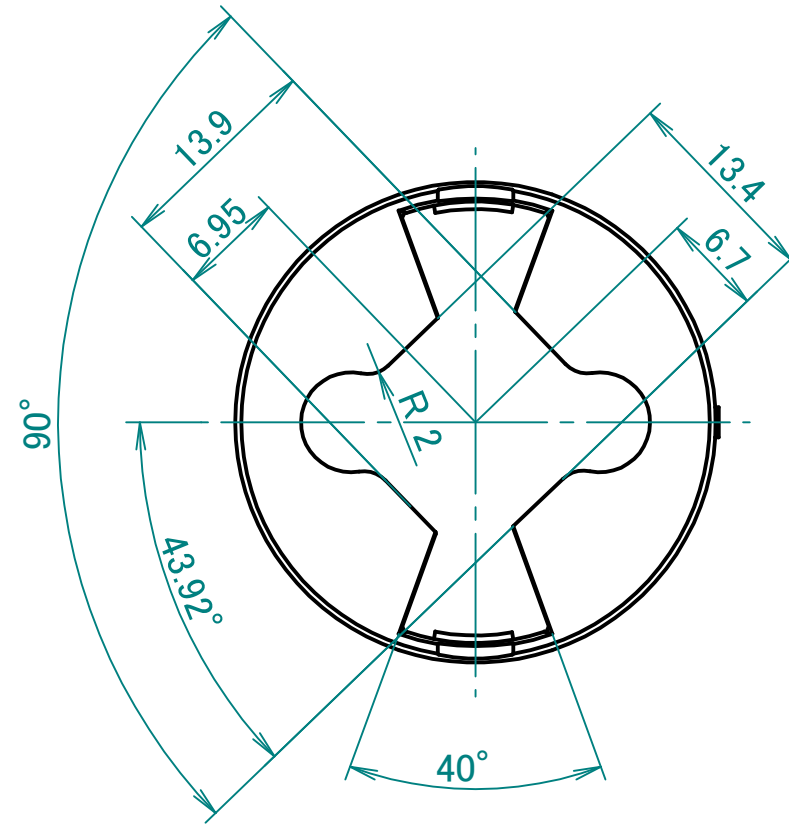
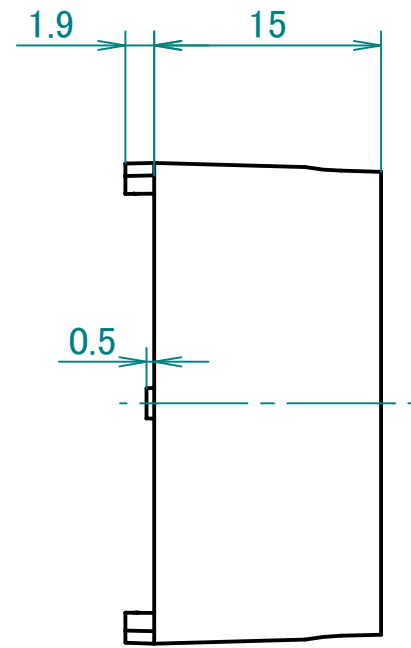
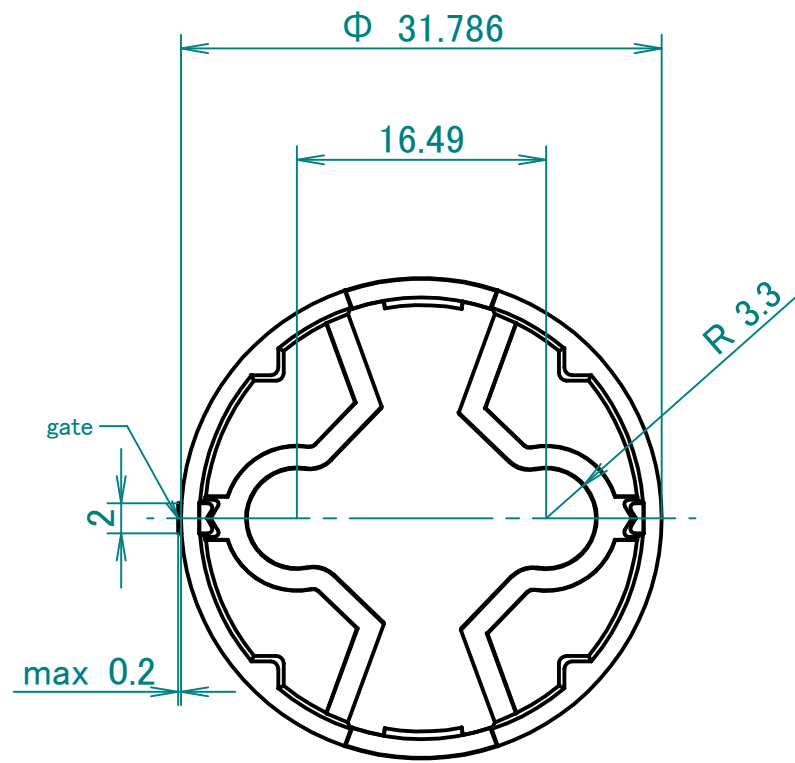
Tel : (0555)23-4121

Fax : (0555)24-2426

Sales department				
Approved	Checked		Drawn	

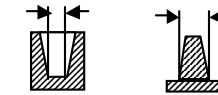
GQP-0013-F03-3  
(SGP-0013-F05-0)

This drawing is the property of Citizen Electronics Co.,LTD. and should not be disclosed to any third party without prior permission of Citizen Electronics Co.,LTD.



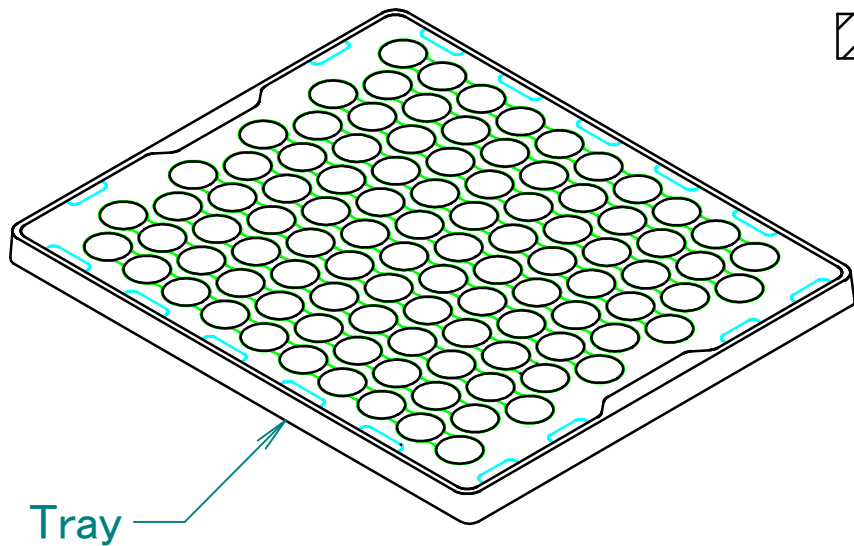
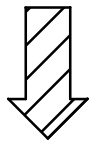
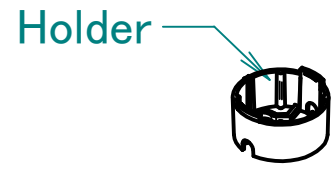
Remarks

- 1 This drawing for Citizen Electronics Co., LTD. : CL-L250 series only
- 2 Material: PC
- 3 Color: Black
- 4 The angle R without directions is set to 0.2.
- 5 No scratches, stain, etc allows.
- 6 Dimension is based on as follows.

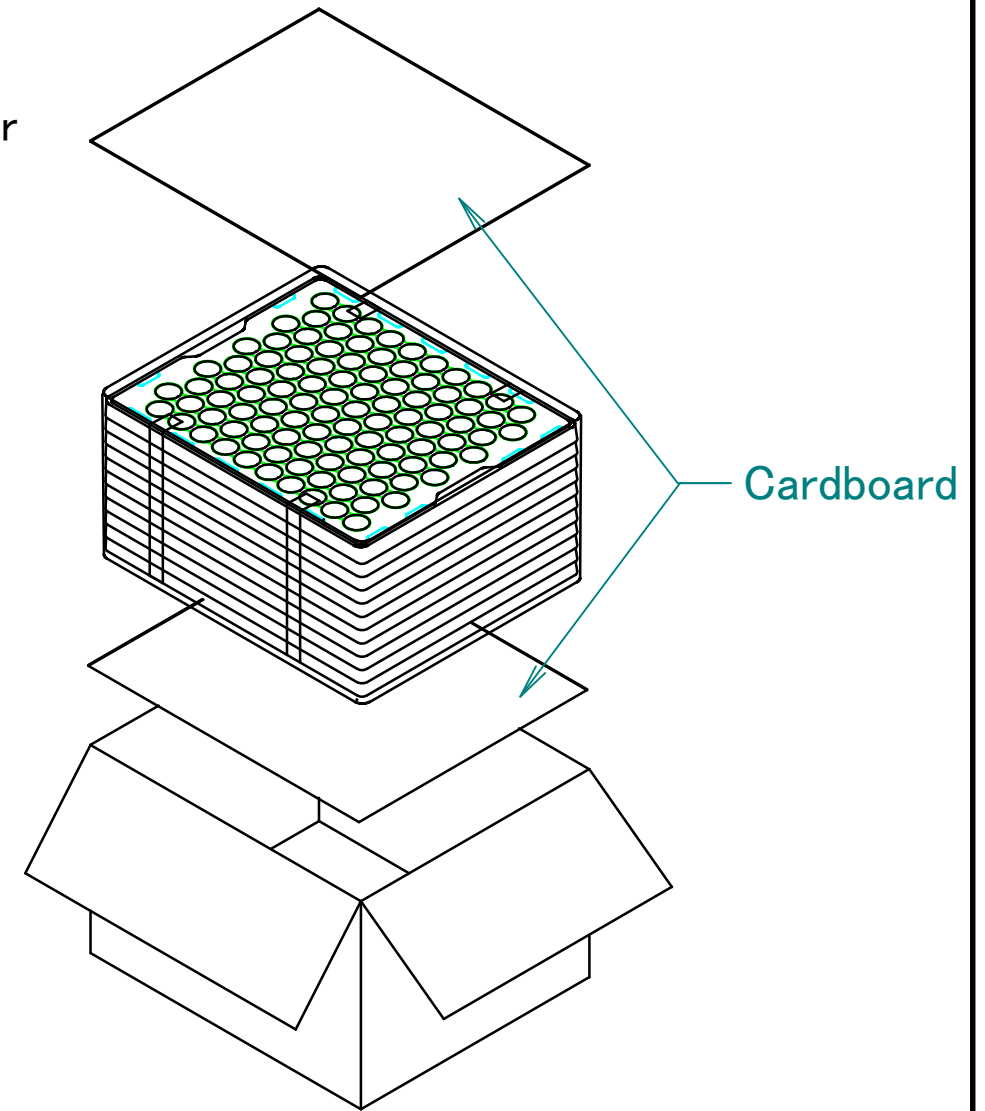
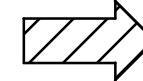
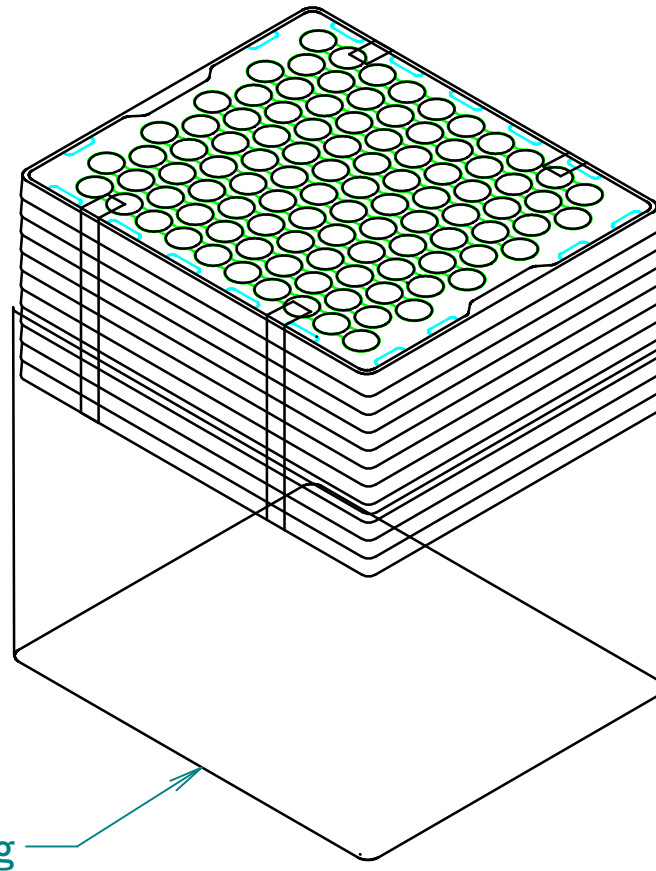
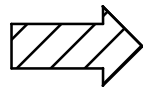


LIMITS UNLESS OTHERWISE NOTE					6	General tolerances			Symbol	L250-HOLDER
		★			5	Dimensions	refer leftward table		Name	HOLDER
$L \leq 6$	$\pm 0.05$	$\pm 0.1$	$\pm 0.2$	$\pm 0.3$	4	Angles	refer leftward table		Part No.	914-A00680
$6 < L \leq 18$	$\pm 0.08$	$\pm 0.2$	$\pm 0.3$	$\pm 0.5$	3	Alternation			Drawin No.	4L2-041-02
$18 < L \leq 50$	$\pm 0.1$	$\pm 0.3$	$\pm 0.5$	$\pm 1.0$	2	Drawn	K.Matsuyama		Date	2009.07.14
$50 < L \leq 120$	$\pm 0.18$	$\pm 0.45$	$\pm 0.8$	$\pm 1.5$	1	Checked	K.Sasuga			
$120 < L \leq 400$	$\pm 0.28$	$\pm 0.7$	$\pm 1.2$	$\pm 2.0$		Approved	K.Funakubo			
Angle	$\pm 1^\circ$				Mark	Date	Description Appro.		CITIZEN ELECTRONICS Co.,Ltd	
						Scale	2 / 1	Unit	mm	

This drawing is the property of Citizen Electronics Co.,LTD. and should not be disclosed to any third party without prior permission of Citizen Electronics Co.,LTD.



stack 10 tray (Max) + empty tray as top cover



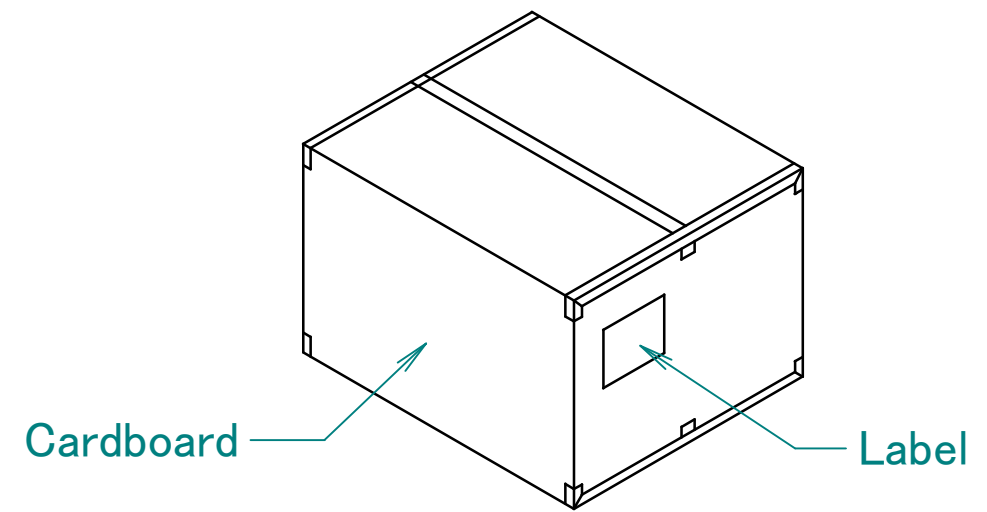
100pcs./tray

Max1000pcs./bag

Label

CITIZEN ELECTRONICS CO., LTD.	
Part Name	L250-HOLDER
Part No.	914-A00680
Lot No.	
Quantity	
Date	QC

arbitrary size



△			General tolerances		Symbol	L250-HOLDER
△			Dimensions		Name	packing specification
△			Angles		Part No.	
△			Alternation		Drawin No.	
△			Drawn	K.Matsuyama	Date	2010/01/13
△			Checked	K.Sasuga		
△			Approved	K.Funakubo		
△			Scale	free /		
Mark	Date	Description	Appro.	Unit	mm	CITIZEN ELECTRONICS Co.,ltd

## PHYSICAL PROPERTIES

Property	Test Method	Condition	Unit	
<b><i>Mechanical</i></b>				
Tensile strength at yield	ASTM D 638	50mm/min	MPa	62
Tensile strength at break	ASTM D 638	50mm/min	MPa	68
Tensile strain at yield	ASTM D 638	50mm/min	%	7
Tensile strain at break	ASTM D 638	50mm/min	%	130
Flexural modulus	ASTM D 790	1.3mm/min, 50mm span	MPa	2340
Flexural strength at yield	ASTM D 790	1.3mm/min, 50mm span	MPa	96
Izot impact	ASTM D 4812	unnotched	J/m	3204
	ASTM D 256	notched	J/m	801
Rockwell hardness	ASTM D 785	M scale	-	70
<b><i>Thermal</i></b>				
Heat deflection temperature 6.4mm, unannealed	ASTM D 648	1.82MPa	°C	132
		0.45MPa	°C	137
Vicat softening point	ASTM D 1525	B/50	°C	154
Melt flow rate	ASTM D 1236	300°C/1.2kgf	g/10min	10.5
<b><i>Electrical</i></b>				
Volume resistivity	ASTM D 257	-	Ω m	>10 <sup>17</sup>
Dielectric strength	ASTM D 149	in air, 3.2mm	kV/mm	14.9
Relative permittivity	ASTM D 150	50/60Hz	-	3.17
		1MHz	-	2.96
Dissipation factor	ASTM D 150	50/60Hz	-	0.0009
		1MHz	-	0.01
<b><i>Other</i></b>				
Density	ASTM D 792	-	g/cm <sup>3</sup>	1.19
Water absorption	ASTM D 570	24h	%	0.15
		23°C/equilibrium	%	0.35
Flammability	UL94	-	class	HB

\*Values reported are typical and should not be used for specification purpose.