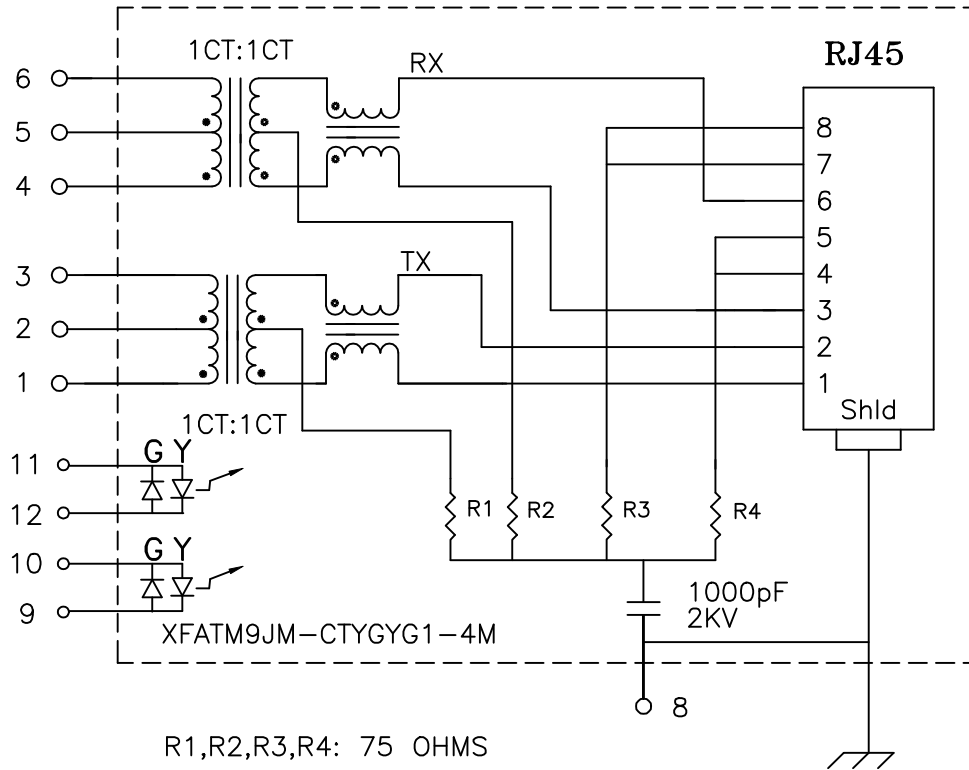


Schematic:



Electrical Specifications: @25°C

Isolation Voltage: 1500 Vrms (Input to Output)
 Isolation Voltage: 500 Vrms (P1+2+3 to P4+5+6)
 Turns Ratio: TX 1CT:1CT $\pm 3\%$ RX 1CT:1CT $\pm 3\%$
 CABLE SIDE OCL: 350uH Minimum @100KHz 100mV 8mADC
 Cw/w: 27pF Typical @100KHz 100mV
 Insertion Loss (300KHz-100MHz): -1.0dB Minimum
 Return Loss: @30MHz -18dB Minimum
 @80MHz -12dB Minimum

Notes:

- Solderability: Leads shall meet MIL-STD-202, Method 208D for solderability.
- Flammability: UL94V-0
- ASTM oxygen index: > 28%
- Insulation System: Class F 155°C, UL file E151556
- Operating Temperature Range: All listed parameters are to be within tolerance from 0°C to +70°C
- Storage Temperature Range: -55°C to +125°C
- Aqueous wash compatible

Complete the Combo P/N as follows:

Replace 'x' & 'u' in the part number with one of the five LED color letters:

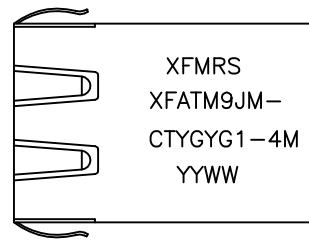
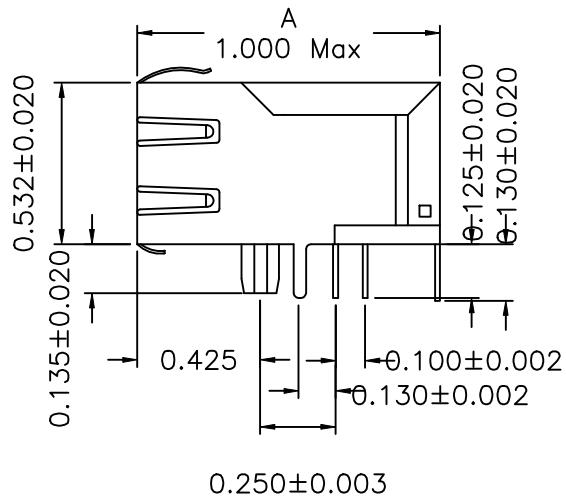
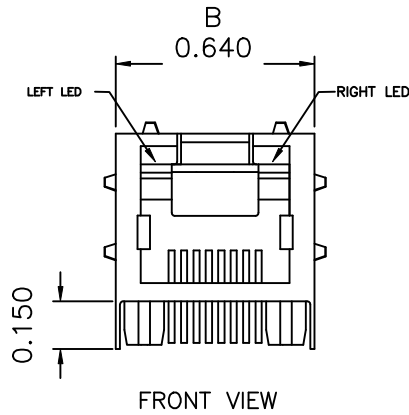
'x' = Left LED Color
 'u' = Right LED Color

Y=Yellow
 G=Green
 A=Amber
 R=Red
 YG=Yellow/Green Bicolor

DOC. REV: A/1

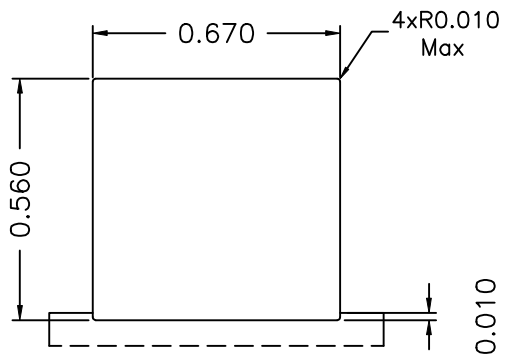
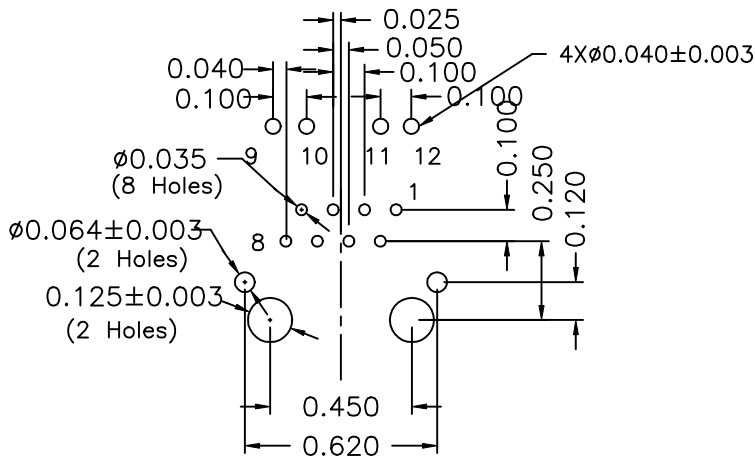
XFMR5 Inc.	Title: SINGLE PORT COMBO TAB UP		
	UNLESS OTHERWISE SPECIFIED TOLERANCES: .xxx ± 0.010		P/N: XFATM9JM-CTYGYG1-4M REV. A
Dimensions in Inch	DWN.	廖玉坤	Feb-19-03
SHEET 1 OF 2	CHK.	李清儿	Feb-19-03
	APP.	BW	Feb-19-03

Mechanical Dimensions:



TOP VIEW

Mounting Pattern:



FACE VIEW
RECOMMENDED PANEL CUTOUT

Complete the Combo P/N as follows:

Replace 'x' & 'u' in the part number with one of the five LED color letters:

- 'x' = Left LED Color
- 'u' = Right LED Color
- Y=Yellow
- G=Green
- A=Amber
- R=Red
- YG=Yellow/Green Bicolor

DOC. REV A/1

XFMRS Inc.		Title: Mechanical Dimensions For TAB UB RJ45 COMBO	
UNLESS OTHERWISE SPECIFIED	P/N: XFATM9JM-CTYGYG1-4M	REV. A	
TOLERANCES: .xxx ±0.010	DWN.	李小锋	Feb-19-03
Dimensions in Inch	CHK.	廖玉坤	Feb-19-03
SHEET 2 OF 2	APP.	BW	Feb-19-03