



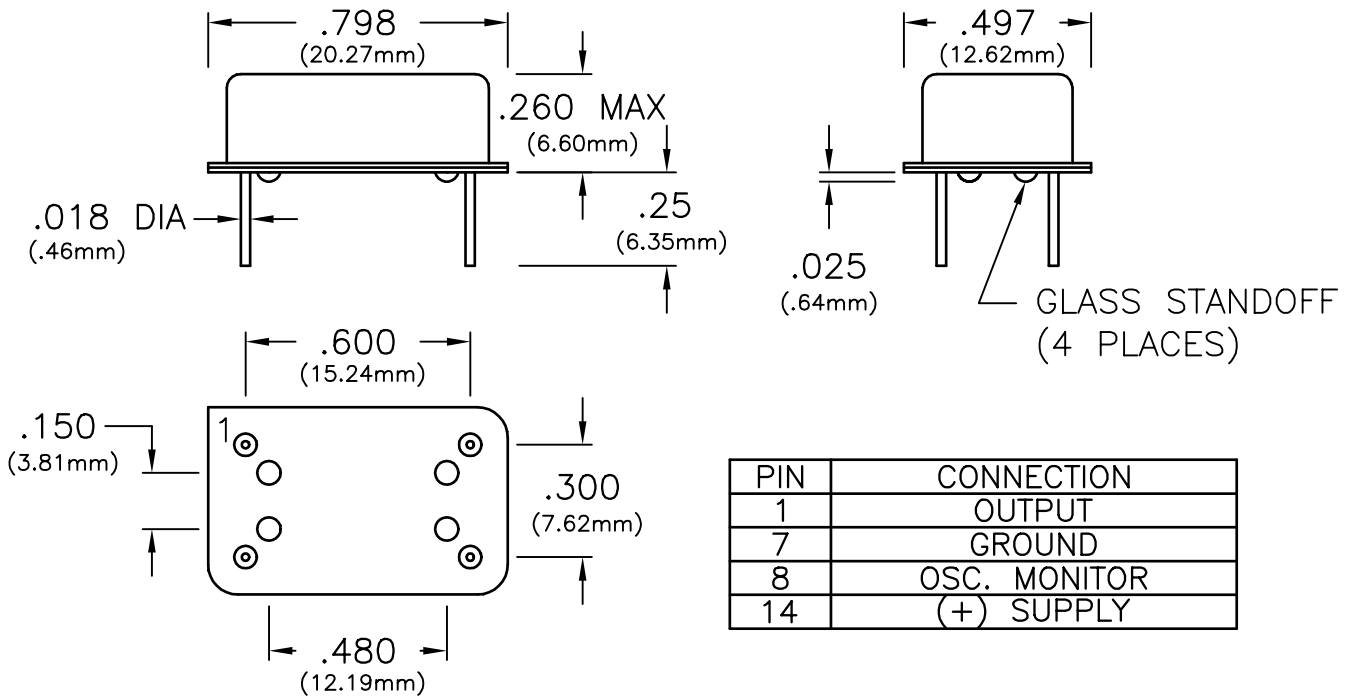
CONNOR-WINFIELD CORPORATION

AURORA, IL. 60505
 PHONE (630) 851-4722
 FAX (630) 851-5040

OSCILLATORS

14 PIN DIP SINEWAVE

SPECIFICATIONS	DPS1	DPS3	DPS2	DPS4
Frequency Range	100Hz to 75KHz		100Hz to 200KHz	
Frequency Tolerance	±.01%	±.005%	±.01%	±.005%
Temperature Range	-25°C to +75°C			
Output	Sinewave, DC Coupled 1Vrms Minimum 10K Ohm Load. T.H.D. ≤5%		Sinewave, DC Coupled 1.5Vrms Min @8Vdc, 10K Ohm Load 3Vrms Min @15Vdc, 10K Ohm Load T.H.D. ≤5%	
Supply Voltage	+5Vdc ±10%		+8Vdc to +15Vdc ±10%	
Supply Current	50mA Maximum		35mA Maximum	
Package	All metal, hermetically sealed, welded package			
Options	Add suffix "D" for ≤1.0% T.H.D.			



Specifications subject to change without notice

BULLETIN #: SW003
 PAGE 1 OF 1

REV: 03
 DATE: 6/26/98

ISSUED BY: _____

Dimensional Tolerance: ±.02"
 ±.005"