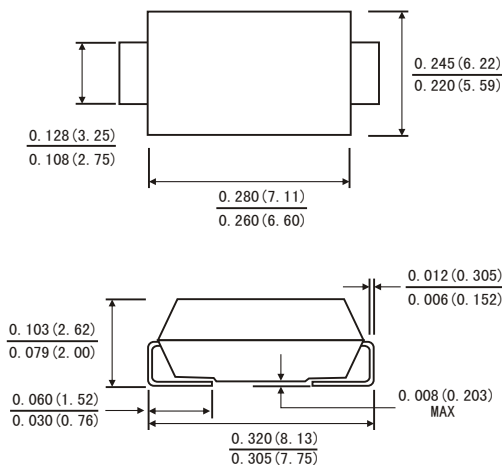


FEATURES

- Plastic package has Underwriters Laboratory Flammability Classification 94V-0
- Metal silicon junction ,majority carrier conduction
- For surface mount applications
- Low power loss ,high efficiency
- High current capability ,Low forward voltage drop
- Low profile package
- Built-in strain relief ,ideal for automated placement
- For use in low voltage ,high frequency inverters, free wheeling ,and polarity protection applications
- High temperature soldering guaranteed:260°C/10 seconds at terminals
- Component in accordance to RoHS 2002/95/EC and WEEE 2002/96/EC



SMC(DO-214AB)



MECHANICAL DATA

- Case: JEDEC SMC(DO-214AB) molded plastic body
- Terminals: solder plated ,solderable per MIL-STD-750,method 2026
- Polarity: color band denotes cathode end
- Weight: 0.007ounce,0.21 gram

MAXIMUM RATINGS AND ELECTRICAL CHARACTERISTICS

(Ratings at 25 °C ambient temperature unless otherwise specified ,Single phase ,half wave ,resistive or inductive load. For capacitive load,derate by 20%.)

	Symbols	SS 52	SS 53	SS 54	SS 55	SS 56	SS 58	SS 5A	Units	
Maximum repetitive peak reverse voltage	V _{RRM}	20	30	40	50	60	80	100	Volts	
Maximum RMS voltage	V _{RMS}	14	21	28	35	42	57	71	Volts	
Maximum DC blocking voltage	V _{DC}	20	30	40	50	60	80	100	Volts	
Maximum average forward rectified current 0.375"(9.5mm) lead length(see fig.1)	I(AV)	5.0							Amps	
Peak forward surge current 8.3ms single half sine-wave superimposed on rated load (JEDEC method at rated T _J)	I _{FSM}	150.0							Amps	
Maximum instantaneous forward voltage at 5.0 A(Note 1)	V _F	0.55		0.75		0.80	0.85		Volts	
Maximum instantaneous reverse current at rated DC blocking voltage(Note 1)	I _R	T _a = 25°C	1.5						mA	
		T _a = 100°C	20		10					
Typical junction capacitance(Note 3)	C _J	500			400				Pf	
Typical thermal resistance (Note 2)	R _{θJA}	55.0							°C/W	
	R _{θJL}	17.0								
Operating junction temperature range	T _J	-65 to +125				-65 to +150				°C
Storage temperature range	T _{STG}	-65 to +150								°C

Notes: 1. Pulse test: 300 μs pulse width,1% duty cycle

2. P.C.B. mounted 0.55X0.55"(14X14mm) copper pad areas

3. Measured at 1MHz and reverse voltage of 4.0 volts

RATINGS AND CHARACTERISTIC CURVES SS52-SS5A

FIG.1-FORWARD CURRENT DERATING CURVE

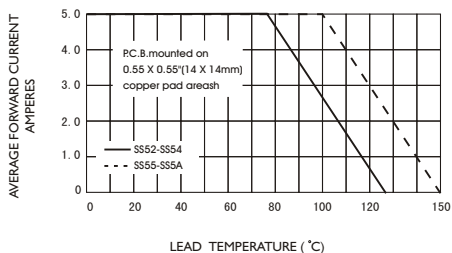


FIG.2-MAXIMUM NON-REPETITIVE PEAK FORWARD SURGE CURRENT

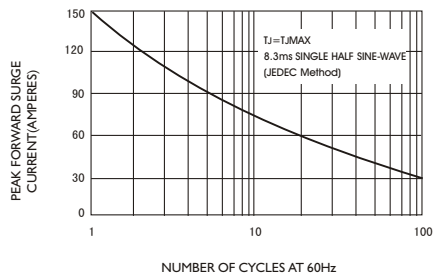


FIG.3-TYPICAL INSTANTANEOUS FORWARD CHARACTERISTICS

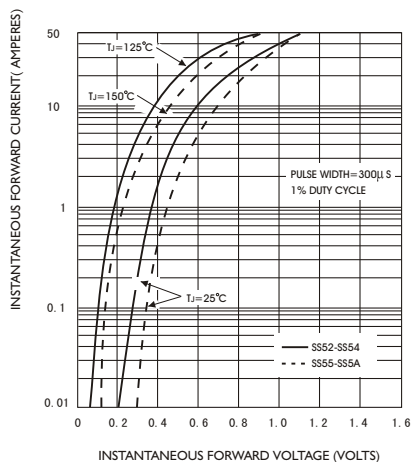


FIG.4-TYPICAL REVERSE CHARACTERISTICS

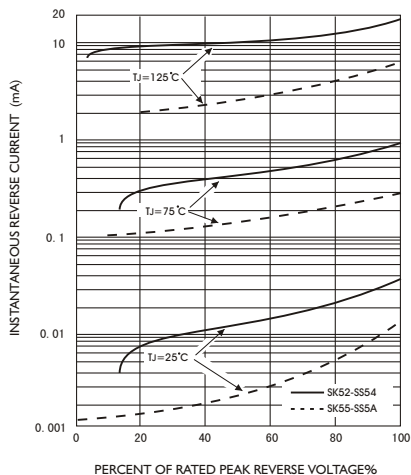


FIG.5-TYPICAL JUNCTION CAPACITANCE

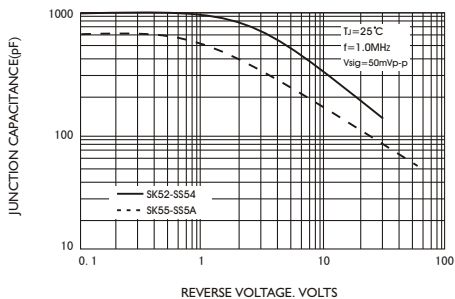


FIG.6-TYPICAL TRANSIENT THERMAL IMPEDANCE

