



**P/N: 40ST1140AX DATA SHEET**

**Feature**



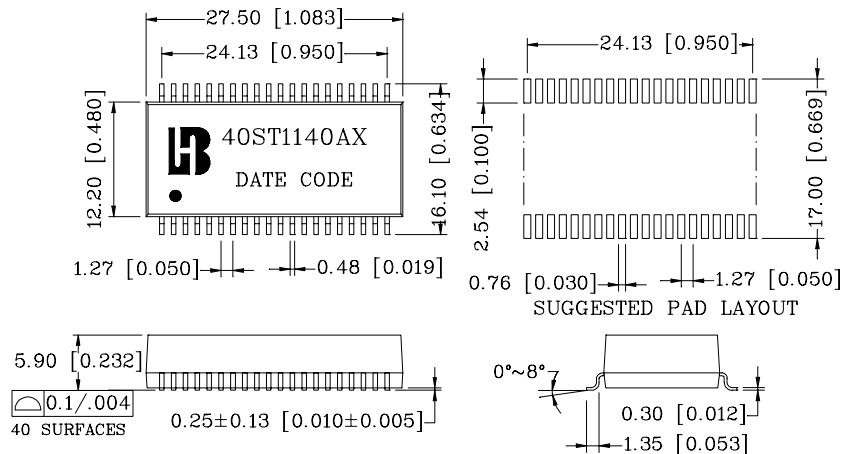
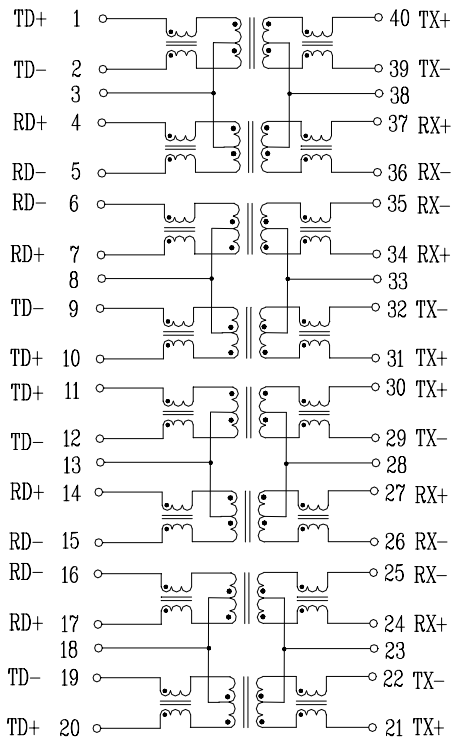
- Symmetrical TX and RX channels for auto MDI/MDIX capability.
- Compliant with IEEE 802.3u and ANSI X 3.263 standards including 350 uH OCL with 8 mA bias.
- Operating temperature range: 0°C to +70°C.
- Storage temperature range: -25°C to +125°C.

Electrical Specifications @ 25°C								
Part Number	Turns Ratio (±5%)		OCL(uH Min) @ 100KHz/0.1V 8mA DC Bias	Insertion Loss (dB Max) 0.1-100MHz	Return Loss (dB Min)			
	TX	RX			2-3MHz	40MHz	50MHz	60-80MHz
40ST1140AX	1CT:1CT	1CT:1CT	350	-1.0	-18	-14.4	-13.1	-12

Continue						
Part Number	Cross talk (dB Min)		DCMR (dB Min)			HI-POT (Vrms)
	0.3-60MHz	60-100MHz	60MHz	100MHz	200MHz	
40ST1140AX	-40	-35	-40	-33	-25	1500

**Schematic**

**Mechanical**



Units: mm[Inches] Tolerance: xx.x0±0.25[0.010]  
0.xx±0.05[0.002]