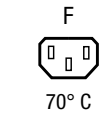


IEC Appliance Outlet F or H, Screw-on Mounting, Front Side, Solder, PCB or Quick-connect Terminal

**Description**

- Panel Mount:  
Screw-on mounting, from front side
- Connector, Pin temperature 70 °C, protection class I or II,

**Approvals**

- VDE License Number: 40010295
- UL License Number: E57445
- CSA License Number: 27324

**References**

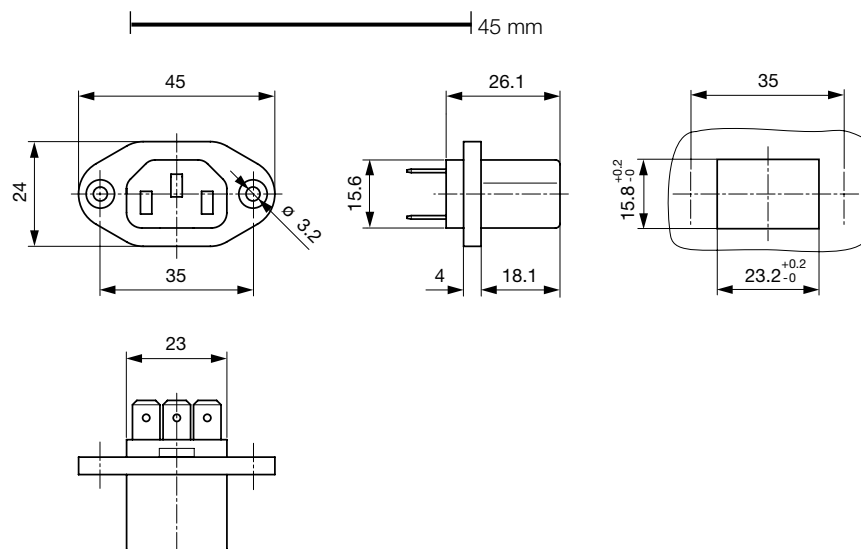
[General Product Information](#)

**Weblinks**

[Approvals](#), [RoHS](#), [CHINA-RoHS](#), [Mating Connectors](#), [e-Store](#), [SCHURTER-Stock-Check](#), [Distributor-Stock-Check](#), [Product Configurator](#)

**Technical Data**

Ratings IEC	10A / 250VAC; 50Hz
Ratings UL/CSA	15A / 250VAC; 60Hz
Dielectric Strength	> 4 kVAC between L-N > 2 kVAC between L/N-PE (1 min/50Hz)
Allowable Operation Temp.	-25 °C to 70 °C
Degree of Protection	from front side IP 20 acc. to IEC 60529
Protection Class	Suitable for appliances with protection class 1 or 2 acc. to IEC 61140
Terminal	straight
Material: Housing	UL 94V-0

**Dimensions**

length of the terminal please find at the order code configuration table

## Konfigurationsschlüssel

Product Configurator

5091 - H - A B C 0 - D - E

The characters are placeholders for the correspondingly keys of selections from the key tables.

5091 - H - A B C 0 - D - E = Type

Type	Configuration key
protection class 2	B
protection class 1	X

5091 - H - A B C 0 - D - E = Terminals

Terminal L	Configuration key
solder terminal	1
PCB-terminal (standard)	4
blade terminal (6,3x0,8mm)	9



5091 - H - A B C 0 - D - E = Terminals

Terminal N	Configuration key
solder terminal	1
PCB-terminal (standard)	4
blade terminal (6,3x0,8mm)	9

Symbols similar as in table A

5091 - H - A B C 0 - D - E = Terminals

Terminal Ground	Configuration key
without terminal	0
solder terminal	1
PCB-terminal (standard)	4
blade terminal (6,3x0,8mm)	9

Symbols similar as in table A

5091 - H - A B C 0 - D - E = Color

Color	Configuration key
jet black; RAL9005	A
silver grey; RAL7001	B
pure white; RAL9010	D

standard color: black

5091 - H - A B C 0 - D - E = Style

Style	Configuration key
flange with countersunk holes	1
flange with through holes	2
flange with through holes (special type)	7

## Variants

Distributor-Stock-Check | SCHURTER-Stock-Check | e-Store

Description	Order Number
5091-X-1110-A-1 5091, IEC Appliance Outlet, 70°C, version: I, L: solder terminal, N: solder terminal, ground: solder terminal, color: jet black; RAL9005, design: flange with countersunk holes, dimension X:	6182.0001
5091-X-1110-B-1 5091, IEC Appliance Outlet, 70°C, version: I, L: solder terminal, N: solder terminal, ground: solder terminal, color: silver grey; RAL7001, design: flange with countersunk holes, dimension X:	6182.0002
5091-X-9990-A-1 5091, IEC Appliance Outlet, 70°C, version: I, L: blade terminal (6,3x0,8mm), N: blade terminal (6,3x0,8mm), ground: blade terminal (6,3x0,8mm), color: jet black; RAL9005, design: flange with countersunk holes, dimension X:	6182.0006
5091-X-9990-A-2 5091, IEC Appliance Outlet, 70°C, version: I, L: blade terminal (6,3x0,8mm), N: blade terminal (6,3x0,8mm), ground: blade terminal (6,3x0,8mm), color: jet black; RAL9005, design: flange with through holes, dimension X:	6182.0007
5091-X-9990-B-1 5091, IEC Appliance Outlet, 70°C, version: I, L: blade terminal (6,3x0,8mm), N: blade terminal (6,3x0,8mm), ground: blade terminal (6,3x0,8mm), color: silver grey; RAL7001, design: flange with countersunk holes, dimension X:	6182.0008

The listed variants should be available from stock. Other versions on request [www.schurter.com/contact](http://www.schurter.com/contact)

## Packaging unit

100 Pcs

## Mating Inlets/Plugs

## Category / Description

[Appliance Inlet Overview complete](#)

IEC Appliance Inlet C14, Snap-in Mounting, Front Side, Solder or Quick-connect Terminal	0711
IEC Appliance Inlet C14, Screw-on Mounting, Rear Side, PCB Terminal	1001
IEC Appliance Inlet C14, Snap-in Mounting, Front Side, Solder or Quick-connect or Screw-on Terminal	6010
IEC Appliance Inlet C14, Screw-on Mounting, Front or Rear Side, Solder or Quick-connect or Screw-on Terminal	6048
IEC Appliance Inlet C14, Screw-on Mounting, Front or Rear Side, Solder or Quick-connect or Screw-on Terminal	6049

[Appliance Inlet further types to 5091](#)

...


[Distribution Unit Overview complete](#)

Distribution Unit for Snap-in Mounting with 1 IEC Appliance Inlet C14 and 1 Appliance Outlet F	0712
Distribution Unit with 1 IEC Appliance Inlet C14 or Power Cord, 4 IEC Appliance Outlets F and Extra Components	4740
Distribution Unit with 1 IEC Appliance Inlet C14 and 2 Appliance Outlets F, Shuttered	4741
Distribution Unit with 1 IEC Appliance Inlet C14 and 4 Appliance Outlets F	4747

[Distribution Unit further types to 5091](#)

[Power Entry Module Overview complete](#)

IEC Appliance Inlet C14 or C18 with Fuseholder 1-pole	1062
IEC Appliance Inlet C14 or C18 with Fuseholder 1- or 2-pole	1064
IEC Appliance Inlet C14 with Fuseholder 1- or 2-pole	1092
IEC Appliance Inlet C14 with Fuseholder 2-pole	4707
IEC Appliance Inlet C14 with Line Switch 1- or 2-pole	6010-K

[Power Entry Module further types to 5091](#)

...

[Power Entry Module with line filter Overview complete](#)

IEC Appliance Inlet C14 with Filter	5110
IEC Appliance Inlet C14 with Filter, Circuit Breaker TA45	5145
IEC Appliance Inlet C14 with Filter, Fuseholder 1-pole	5200
IEC Appliance Inlet C14 with Filter, Fuseholder 1- or 2-pole	5220
IEC Appliance Inlet C14 with Filter, Fuseholder 2-pole	8843-8

[Power Entry Module with line filter further types to 5091](#)

...

