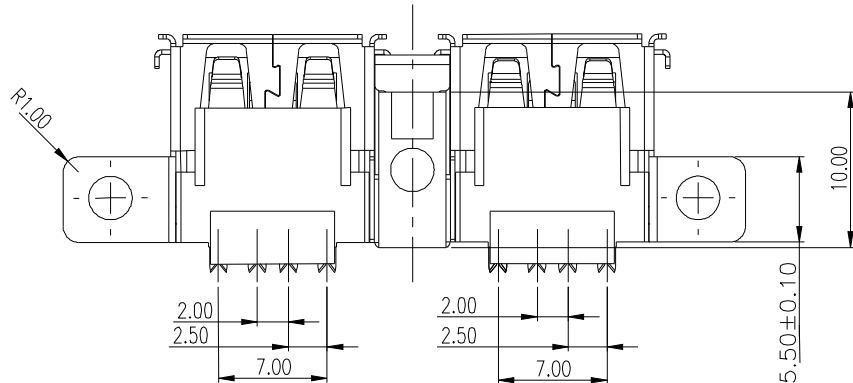
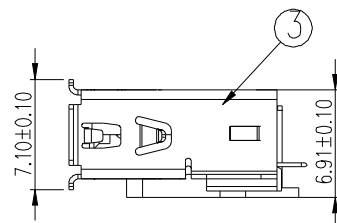
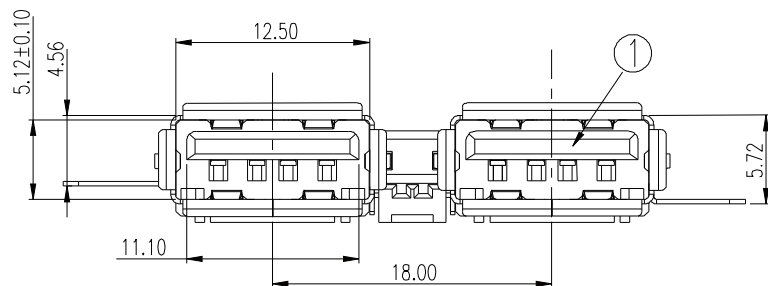
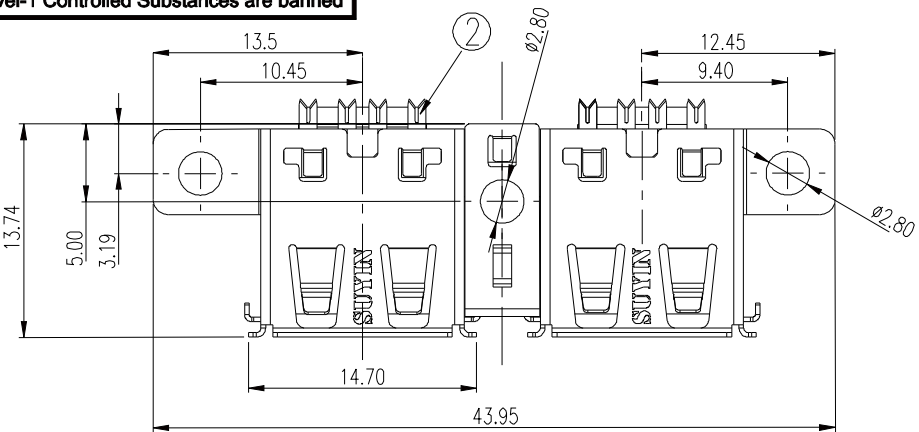




RoHS Compliant
2002/95/EC
HSF

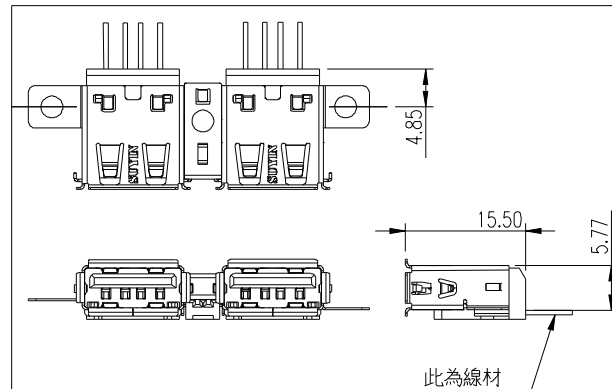
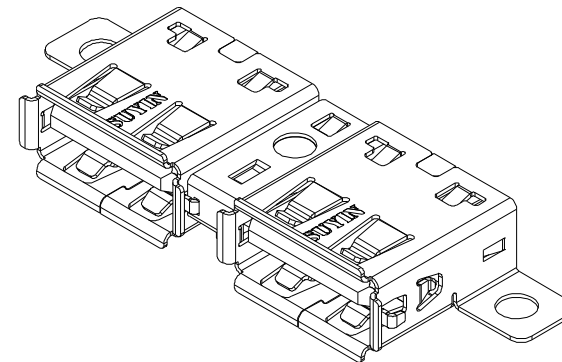
Level-1 Controlled Substances are banned

NOTE: 020167MJ004 SX_36ZA



CONTACT PLATED:

- 'S1,-05u" MIN. GOLD IN CONTACT AREA/
100u" MIN. TIN IN SOLDER AREA/
- 'S2,-GOLD FLASH IN CONTACT AREA/
100u" MIN. TIN IN SOLDER AREA/
- 'S3,-10u" MIN. GOLD IN CONTACT AREA/
100u" MIN. TIN IN SOLDER AREA/
- 'S4,-15u" MIN. GOLD IN CONTACT AREA/
100u" MIN. TIN IN SOLDER AREA/
- 'S5,-30u" MIN. GOLD IN CONTACT AREA/
100u" MIN. TIN IN SOLDER AREA/
- 'S6,-50u" MIN. GOLD IN CONTACT AREA/
100u" MIN. TIN IN SOLDER AREA/



加后蓋示意圖(比例: 1)

NOTE: 1.后蓋(020167M00832ZA)由CABLE廠
組裝線材后再組裝

3	SHELL	METAL	—	NICKEL PLATED
2	TERMINAL	COPPER ALLOY	—	GOLD/Tin PLATED
1	PLASTIC	HIGH TEMP.PLASTIC	BLACK	UL 94V-0
NO.	DESCRIPTION	MATERIAL	COLOR	REMARK

SUYIN
CONNECTOR

CUSTOMER COPY	TITLE: 8PIN USB CONNECTOR			
PART NO.	020167MJ008SX36ZA			
PRODUCT SPEC.	020167MJ008XX36ZX			
FILE NAME.	D	020167MJ008SX36ZA-C		
SCALE	2:1	UNIT:mm	A4	SHEET: 1 of 2

					Angle	±2°	DRAW	陳光	08'/07/14
					30 ~	±0.50	DESIGN	陳光	08'/07/14
	0		NEWRELEASE	陳光 謝日倉	10 ~ 30	±0.30	CHECK	賀敏	08'/07/14
DCBS-080408-05	PC	08'/04/08	PC1: 變更尺寸6.91±0.15->6.91±0.10	彭齊龍 許俊賢	~ 10	±0.15	APPRO.	謝日倉	08'/07/14
ECN(DCN) NO.	REV	DATE	DESCRIPTION	CHANGE	APPRO.	GENERAL TOLERANCE UNLESS OTHERWISE NOTED	APPRO.	謝日倉	08'/07/14