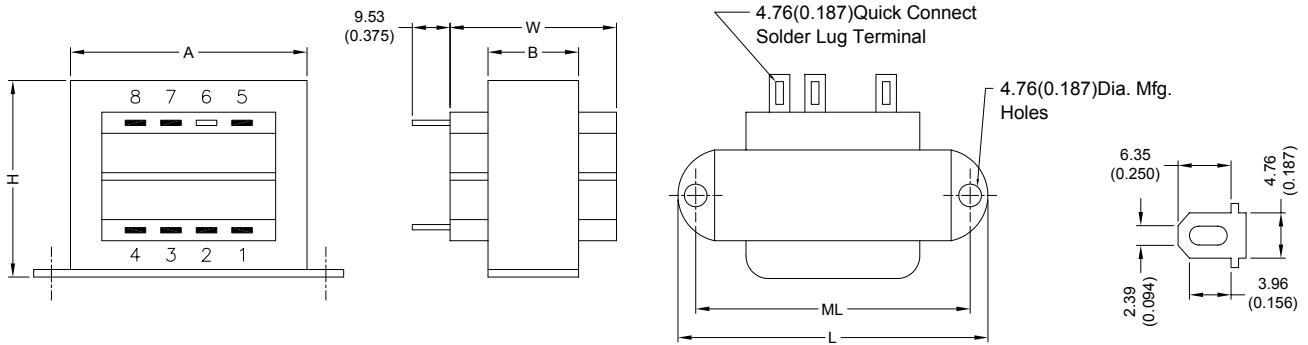


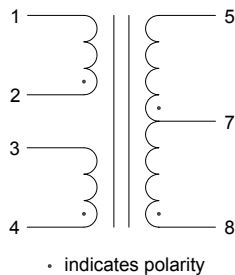
## 1. CONFIGURATION & DIMENSIONS :



UNIT : mm (inch)

SIZE	VA	L	W	H	A	B	ML	gram
4	6	60.33 (2.375)	31.75 (1.250)	34.93 (1.375)	42.88 (1.688)	17.48 (0.688)	50.80 (2.000)	199.58

## 2. SCHEMATIC :



## 3. ELECTRICAL CHARACTERISTICS ( @ 25°C ) :

- |                                      |                              |
|--------------------------------------|------------------------------|
| a. Primary Voltage                   | AC 115/230 V 50/60 Hz .      |
| b. No Load Primary Current           | Less Than 20mA / 25mA .      |
| c. Secondary Voltage (±5%)           |                              |
| Pin 5-8 C.T. Pin 7                   | AC 29.00 V / 28.80 V .       |
| d. Secondary Load Current            | 0.25A .                      |
| e. Full Load Primary Current         | Less Than 80mA / 45mA .      |
| f. Full Load Secondary Voltage (±5%) | 24.00V / 24.00V .            |
| Pin 5-8 C.T. Pin 7                   |                              |
| g. DC Resistance                     |                              |
| Pin 1-2                              | Primary-1 = 257 Ohm .        |
| Pin 3-4                              | Primary-2 = 317 Ohm .        |
| Pin 5-7                              | Secondary-1 = 4.29 Ohm .     |
| Pin 7-8                              | Secondary-2 = 4.29 Ohm .     |
| h. Insulation Resistance             | DC 500V 100Meg Ohm Of More . |
| i. Withstand Voltage (Hi-Pot)        | AC 2500V 60Hz 1 Minutes .    |
| j. Temperature Rise                  | Less Than 60 Deg C .         |
| k. Core Size                         | EI-41 x 17.00 m/m .          |

### l. Turns & Wire Gauge

Primary-1	Pin 1-2	1600	Turns Diameter	0.10 mm
Primary-2	Pin 3-4	1800	Turns Diameter	0.10 mm
Secondary	Pin 5-7-8	205 x 2	Turns Diameter	0.28 mm



**RoHS Compliant**

NOTE : Specifications subject to change without notice. Please check our website for latest information.

25.02.2008



**SUPERWORLD ELECTRONICS (S) PTE LTD**