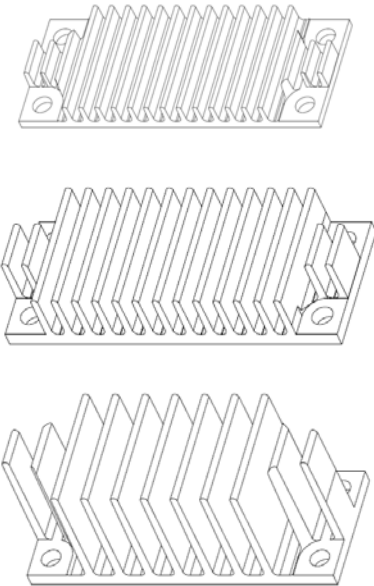


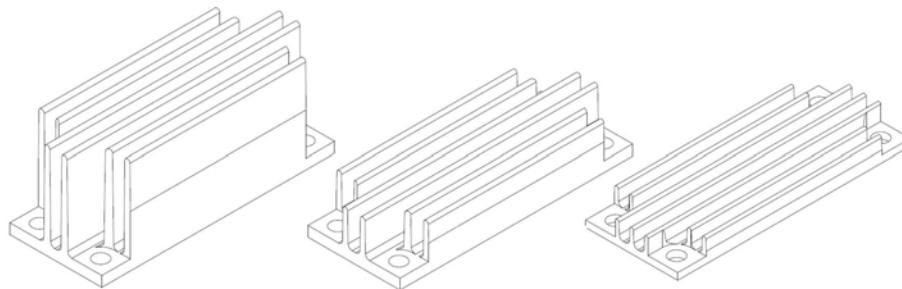
Eighth Brick Power Modules Heat Sinks: 1/4", 1/2", 1" Longitudinal and Transverse Heat Sinks

RoHS Compliant



Features

- Compliant to RoHS EU Directive 2002/95/EC (Z versions) including screws
- Heat Sink Material: 6063-T5 Aluminum
- Heat Sink Finish: Black anodize per MIL-A-8625, Type II, Class 2
- Size:
 - Length: 2.28 in.
 - Width: 0.90 in.
- Available heights: 1/4", 1/2", 1"
- Available in Longitudinal and Transverse Orientations
- ISO** 9001 and ISO 14001 certified manufacturing facilities



Description

These heat sinks are to be used with Lineage Power's Eighth Brick power modules equipped with the base plate option (-C or -H option in the module part number). The base plate is factory attached to the module and is designed to make thermal contact with the power dissipating components on the module and conduct this heat to the outer surface of the base plate. If a heat sink is attached to this surface of the base plate, it is possible to deliver increased output power for a specific ambient air temperature and airflow rate.

These heat sinks are available in kits that come complete with the heat sink, attached thermal interface material and attachment screws.

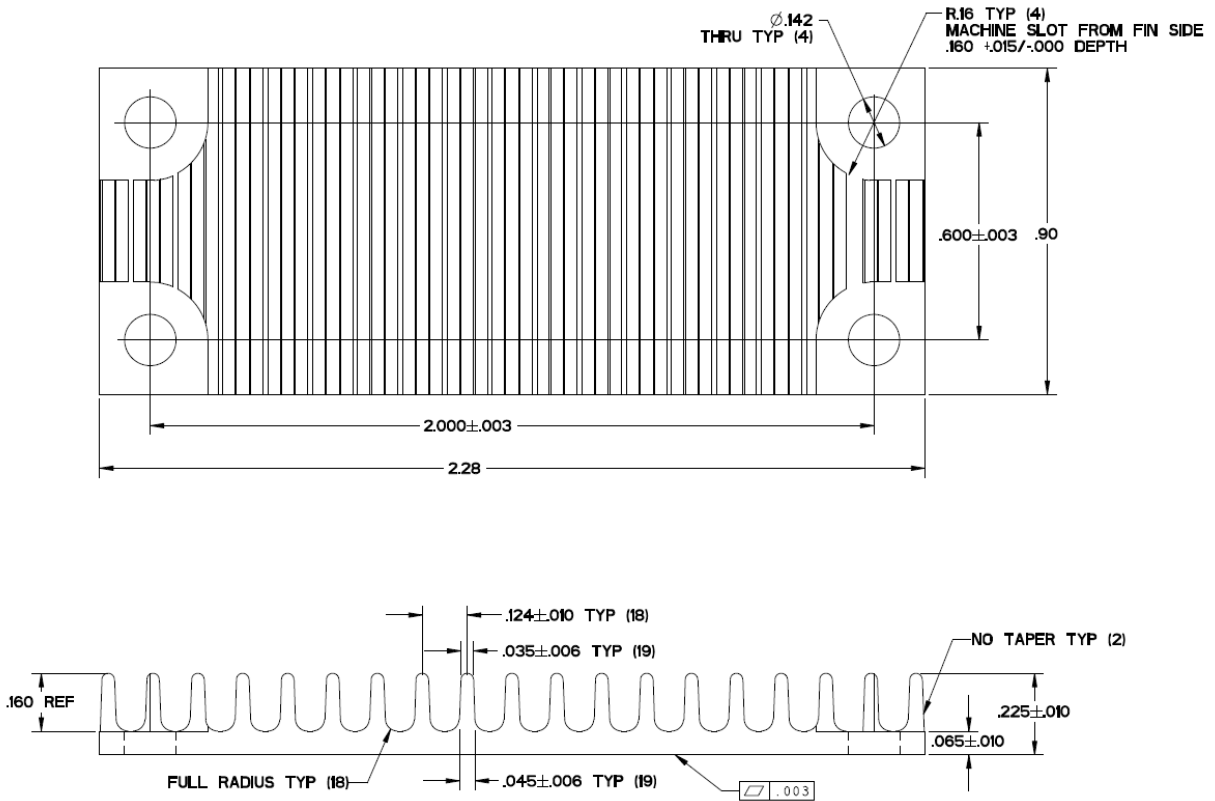
** ISO is a registered trademark of the International Organization of Standards

Mechanical Outline 1/4" Transverse

Dimensions are in inches

Tolerances: x.xx in. ± 0.01 in. [unless otherwise indicated]

x.xxx in ± 0.005 in.

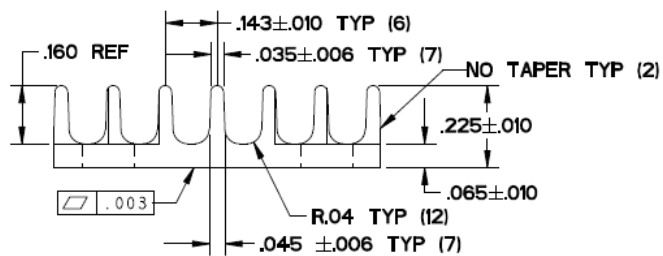
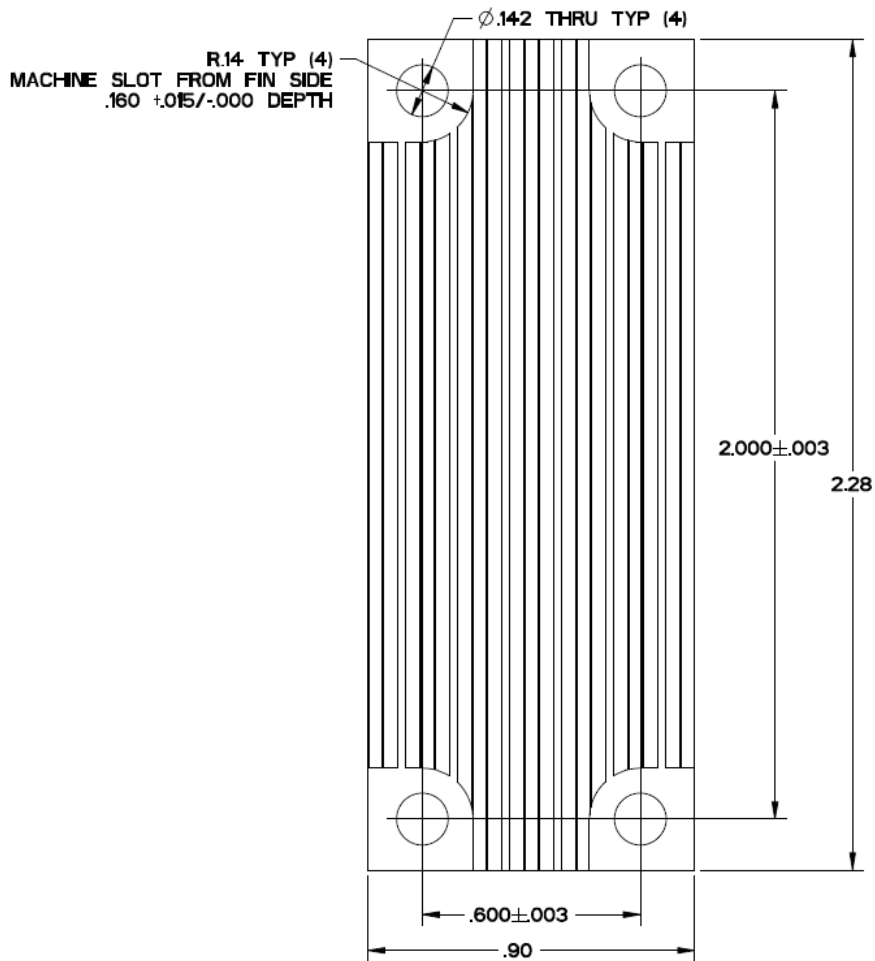


Mechanical Outline 1/4" Longitudinal

Dimensions are in inches

Tolerances: x.xx in. ± 0.01 in. [unless otherwise indicated]

x.xxx in ± 0.005 in.

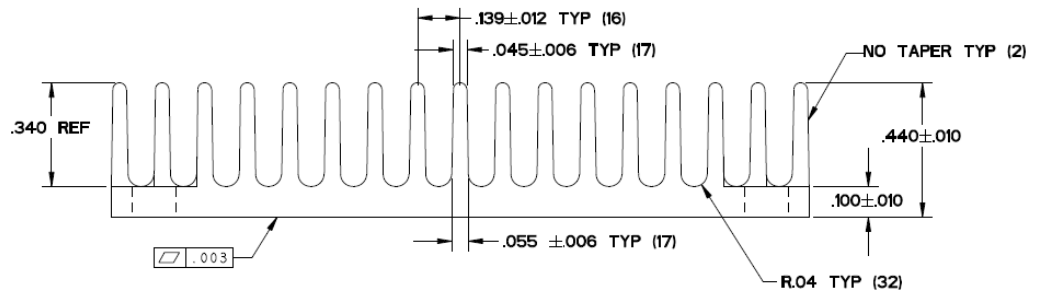
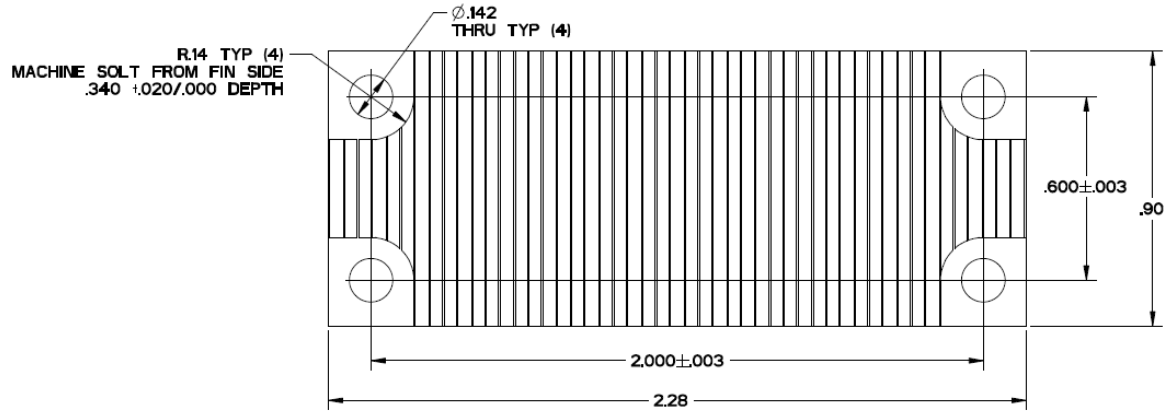


Mechanical Outline 1/2" Transverse

Dimensions are in inches

Tolerances: x.xx in. ± 0.01 in. [unless otherwise indicated]

x.xxx in ± 0.005 in.

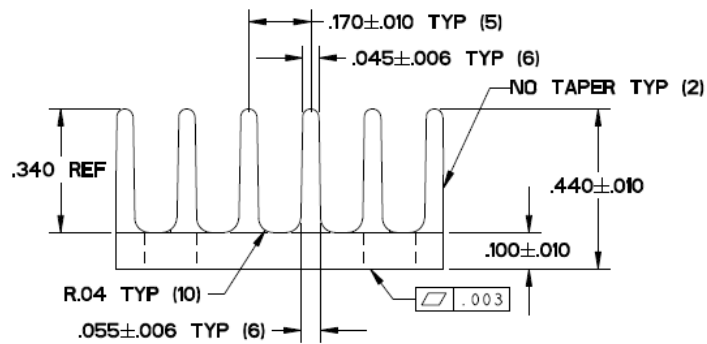
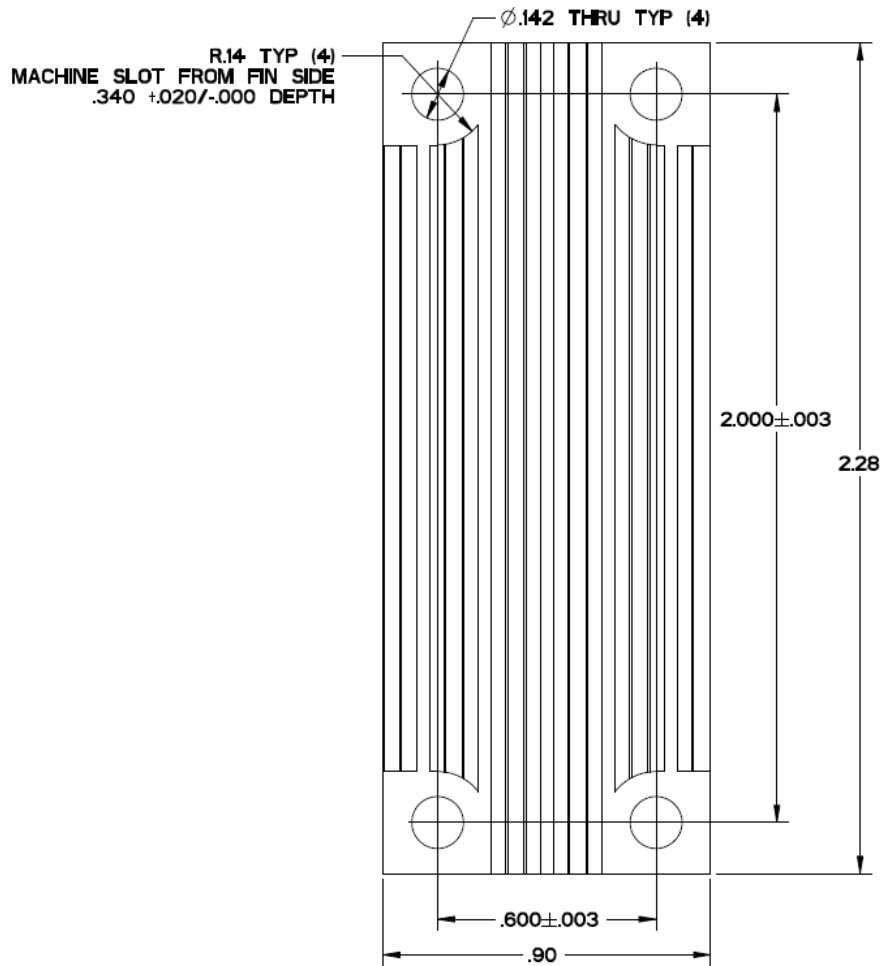


Mechanical Outline 1/2" Longitudinal

Dimensions are in inches

Tolerances: x.xx in. ± 0.01 in. [unless otherwise indicated]

x.xxx in ± 0.005 in.

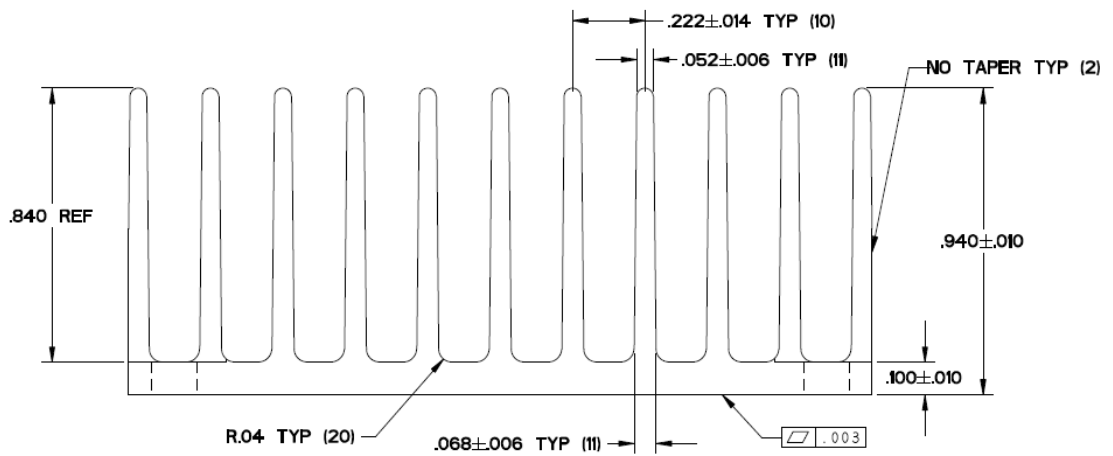
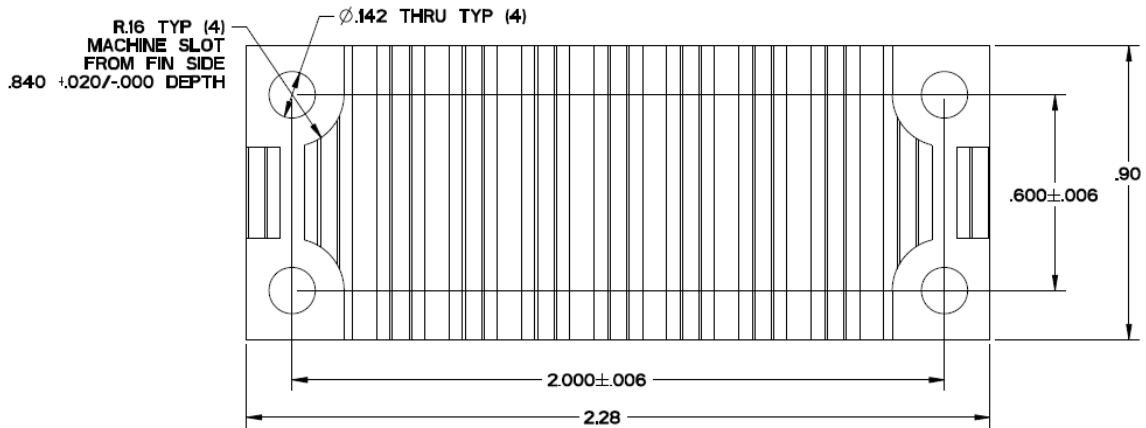


Mechanical Outline 1" Transverse

Dimensions are in inches

Tolerances: x.xx in. \pm 0.01 in. [unless otherwise indicated]

x.xxx in \pm 0.005 in.

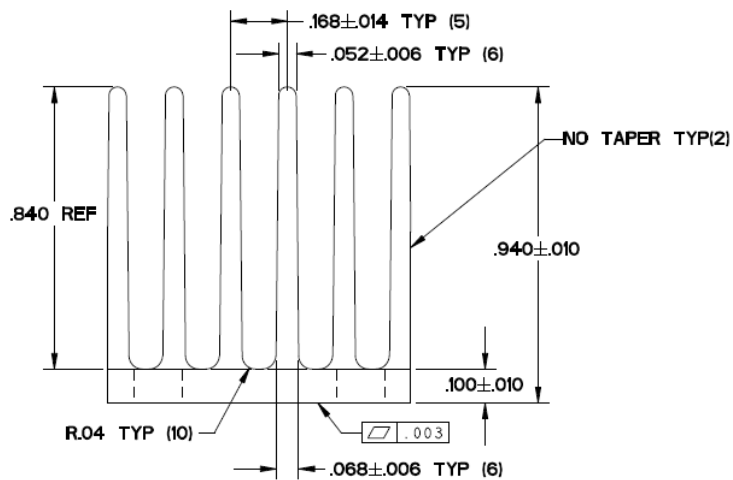
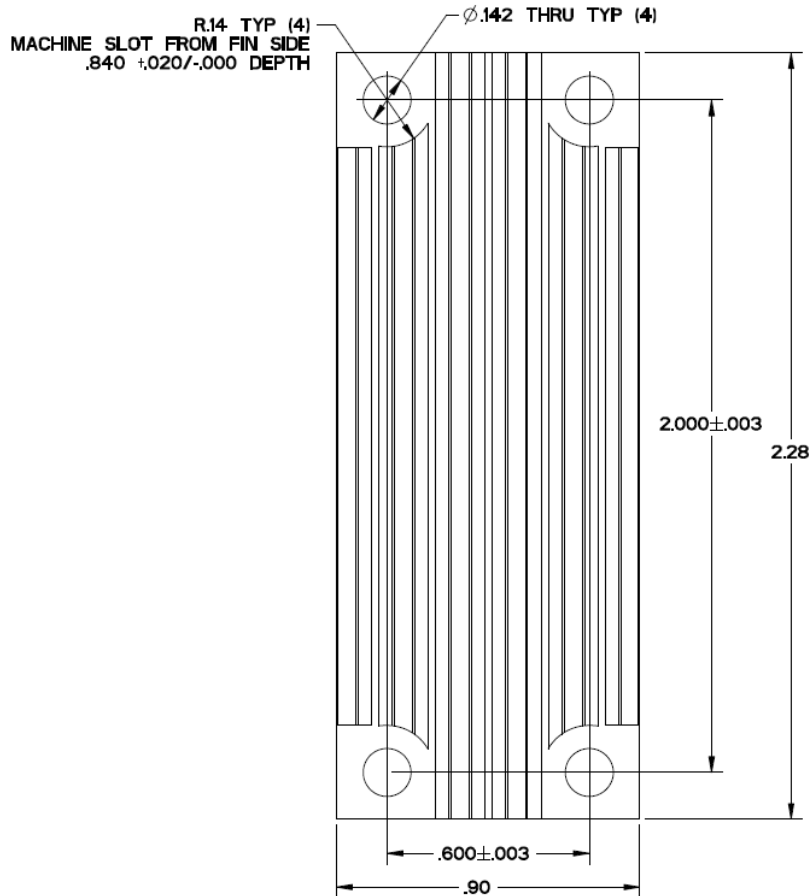


Mechanical Outline 1" Longitudinal

Dimensions are in inches

Tolerances: x.xx in. ± 0.01 in. [unless otherwise indicated]

x.xxx in ± 0.005 in.



Ordering Information

Please contact your Lineage Power Sales Representative for pricing and availability.

Table 1. Device Codes

| Product Code | Description | Screw Included | Comcodes |
|--------------|-----------------------|----------------|-------------|
| MHST02518Z | 1/4" Transverse Kit | M3 x .5 x 4 mm | CC848805004 |
| MHSL02518Z | 1/4" Longitudinal Kit | M3 x .5 x 4 mm | CC848804947 |
| MHST05018Z | 1/2" Transverse Kit | M3 x .5 x 5 mm | CC848804971 |
| MHSL05018Z | 1/2" Longitudinal Kit | M3 x .5 x 5 mm | CC848805012 |
| MHST10018Z | 1" Transverse Kit | M3 x .5 x 5 mm | CC848804996 |
| MHSL10018Z | 1" Longitudinal Kit | M3 x .5 x 5 mm | CC848804988 |

-Z Indicates RoHS Compliant Versions



World Wide Headquarters
Lineage Power Corporation
3000 Skyline Drive, Mesquite, TX 75149, USA
+1-800-526-7819
(Outside U.S.A.: **+1-972-284-2626**)
www.lineagepower.com
e-mail: techsupport1@lineagepower.com

Asia-Pacific Headquarters
Tel: +65 6416 4283

Europe, Middle-East and Africa Headquarters
Tel: +49 89 6089 286

India Headquarters
Tel: +91 80 28411633

Lineage Power reserves the right to make changes to the product(s) or information contained herein without notice. No liability is assumed as a result of their use or application. No rights under any patent accompany the sale of any such product(s) or information.

© 2008 Lineage Power Corporation, (Mesquite, Texas) All International Rights Reserved.