

Point Source LED

Features:

- High Output Power
- Excellent Parallel Rays
- Low Temp. Coefficient of PO
- Narrow Beam Angle

Applications:

- Optical Switches
- Lineary & Rotary Encoder (Measuring System)

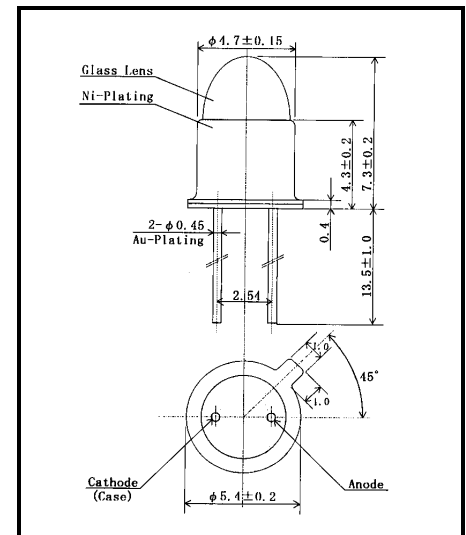


Absolute Maximum Ratings (Ta=25°C)

Items	Symbol	Ratings	Unit
Forward Current (DC)	IF	80	mA
Forward Current (Pulse)*1	IFP	0.4	A
Reverse Voltage	VR	5	V
Power Dissipation	PD	130	mW
Operating Temperature	Topr	-25 ~ +85	°C
Storage Temperature	Tstg	-30 ~ +100	°C
Lead Soldering Temp*2	Tls	260	°C

*1: Tw=10μS, T=10mS

*2: Time 5 Sec max, Position: Up to 3mm from the body.



Dimensions (Unit:mm)

Electrical & Optical Characteristics (Ta = 25°C)

Items	Symbol	Conditions	Min	Typ	Max	Unit
Power Output	PO	IF=50mA	1.8	2.5	--	mW
Forward Voltage	VF	IF=50mA	--	2.0	2.4	V
Reverse Current	IR	VR=5V	--	--	10	μA
Peak Wavelength	λp	IF=50mA	--	850	--	nm
Spectral Line Half Width	Δλ	IF=50mA	--	35	--	nm
Half Intensity Beam Angle	θ	IF=50mA	--	±2	--	deg.