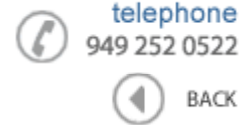


**Data Sheet**

Product Category: IF SAW Filter

Part Number	Package	Application	Last Modified
816-IF36.125M-BB	16.3 x 6.3 Thru Hole	Digital CableTV	Jan. 01, 2007

TYPE :

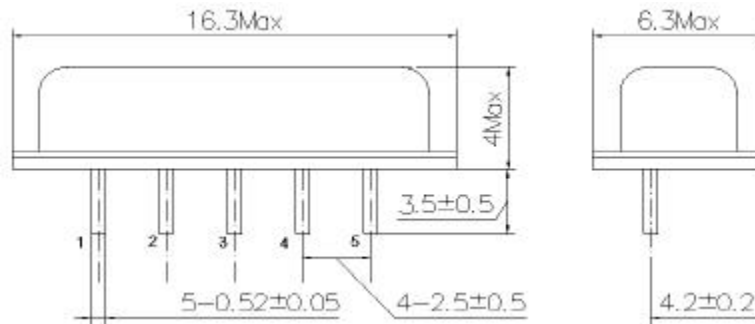
36.125 MHz IF SAW Filter for Digital Cable TV

PART NUMBER :

816-IF36.125M-BB**OPERATING CONDITIONS / ELECTRICAL CHARACTERISTICS**

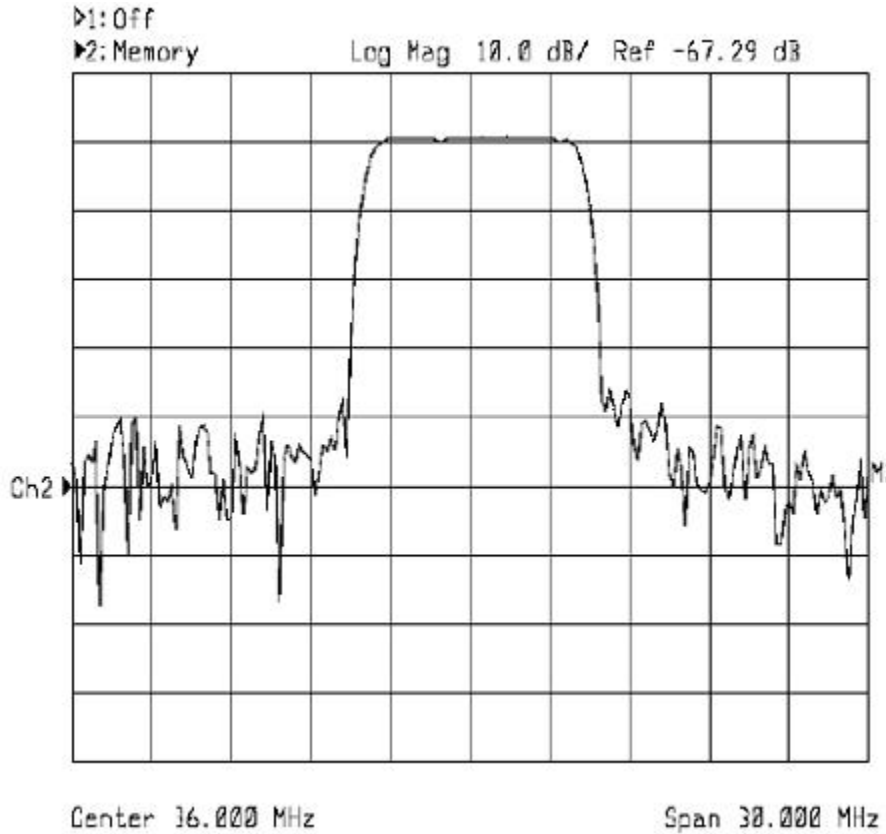
PARAMETERS	Minimum	Typical	Maximum	Units
Center Frequency (Fo)	-	36.125	-	MHz
Insertion Loss Fo	-	17.0	19.0	dB
Operating Temperature Range	-25	-	+65	C
Storage Temperature Range	-40	-	+85	C
Temperature Coefficient	-	-72	-	ppm/C
Bandwidth at 3.0 dB	-	8.0	-	MHz
Bandwidth at 30.0 dB	-	9.4	-	MHz
Attenuation: (Ref.: 36.125MHz)	-			
31.25 MHz	35	38	-	dB
32.13 MHz	3.0	4.5	6.0	dB
32.32 MHz	0.5	2.0	3.5	dB
36.125 MHz (Reference frequency)	-	0	-	dB
39.93 MHz	0.1	1.5	3.0	dB
40.13 MHz	1.0	2.5	4.0	dB
47.25 MHz	42	45	-	dB
Relative Attenuation	-			
From 25.00 to 29.50 MHz	35	40	-	dB
From 29.50 to 31.25 MHz	33	36	-	dB
From 40.90 to 43.50 MHz	30	33	-	dB
From 43.50 to 50.00 MHz	35	40	-	dB
Group Delay Variation (32.13~40.13 MHz)	-	50	-	ns
Maximum DC Voltage	-	10V DC	-	VDC

PACKAGE OUTLINE (mm)



PIN Description: 1= IN 2= IN/ GROUND 3= GROUND 4,5= OUTPUT

FREQUENCY RESPONSE



Oscilent Corporation - CALL 949.252.0522

Part No.: 816-IF36.125M-BB

18195 East McDermott Street, Building D, Irvine, CA 92614, USA
 Fax: 949.252.0599, E-Mail: Sales@Oscilent.com