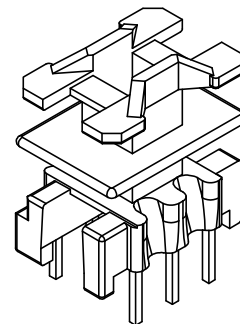
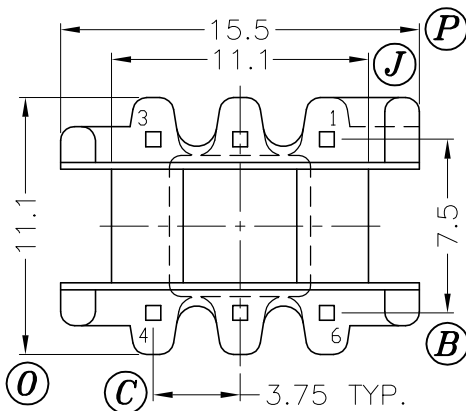
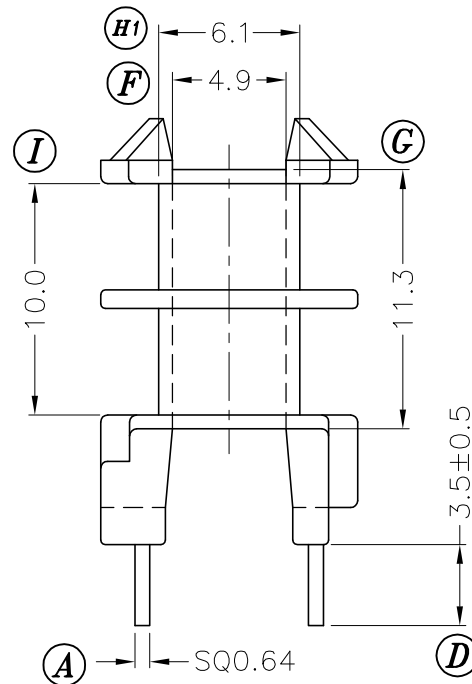
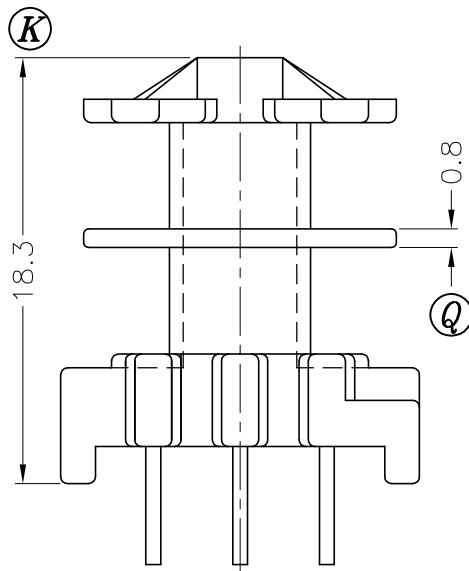
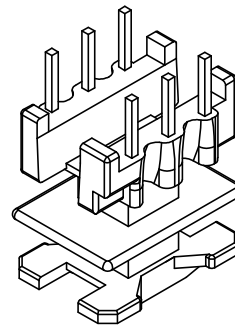
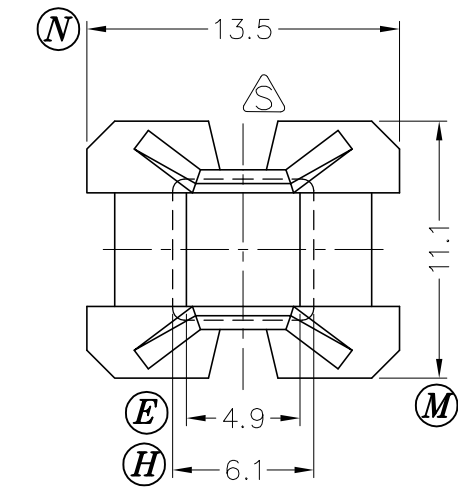


FERYSTER Inductive Components

ul. Traugutta 4 , 68-120 Iłowa Poland

http://www.feryster.com.pl e-mail: info@feryster.com.pl



DOSTAWCA:	TOLERANCES		ANGLE: $\pm 1^\circ$	TITLE: EF16-K-V-6P-DS		
	$0 < L \leq 4 \pm 0.1$ $4 < L \leq 16 \pm 0.2$ $16 < L \leq 63 \pm 0.3$	pin pitch ± 0.2	UNIT: MM	BOBBIN MATERIAL: PET FR530	UL REC. UL 94V-0	
FERYSTER Inductive Components			ORIGIN: DG	PIN MATERIAL: CP WIRE	PIN TENSION LOAD: 1.5 KG MIN	
Tel: +48 68 360 00 76 fax: +48 68 360 00 70				DATE: MAR.31 '2003	DRAWING NO. P-1601-1	REV. 2