

## Series 162, 163 & 165

### Connector/Stud Power Distribution Blocks

#### SPECIFICATIONS

**Rating:** To 760A, 600V; UL/CSA. See table.

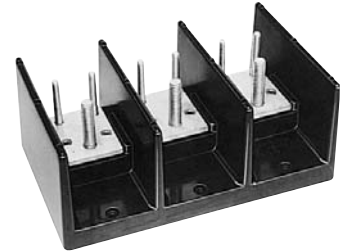
**Materials:** Molded material: Black, UL rated 94V0 thermoplastic

**Operating Temperature:** 150°C

**Marking:** Marker strip is optional, consult factory.

**Agency Information:** UL 221592; General Industrial Class per UL 1059; CSA LR053787; CE Certified

**Covers:** See page 137

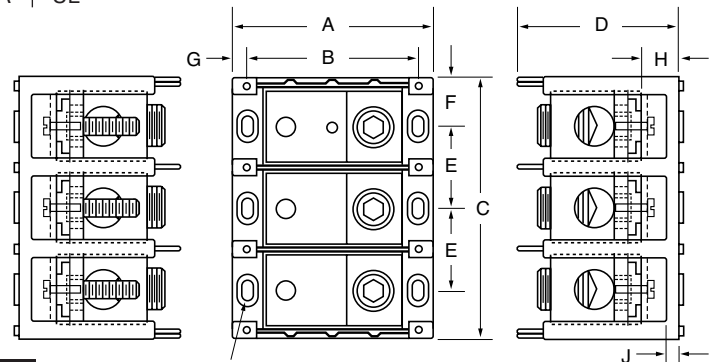


| Part Number              | Line Connection               | Load Connection                   | Connector Material & Ampacity | Agency Approvals |
|--------------------------|-------------------------------|-----------------------------------|-------------------------------|------------------|
| <b>Connector to Stud</b> |                               |                                   |                               |                  |
| 16280                    | 2/0-#14CU/#8AL                | 1/4-20x1/2 Stud                   | AL-175A                       | UL CSA           |
| 16281                    | 2/0-#14CU/#8AL                | 1/4-20 Tapped hole                | AL-175A                       | UL CSA           |
| 16378                    | 500MCM-#6CU-AL                | <sup>(2)</sup> 1/4-20x1 Stud      | AL-380A                       | UL CSA           |
| 16383                    | 500MCM-#6CU-AL                | <sup>(1)</sup> 3/8-16x1 1/4 Stud  | AL-380A                       | UL CSA           |
| 16582                    | <sup>(2)</sup> 500MCM-#6CU-AL | <sup>(2)</sup> 3/8-16x1 5/8 Stud  | AL-760A                       | UL CSA           |
| <b>Stud to Stud</b>      |                               |                                   |                               |                  |
| 16390                    | 3/8-16x1 1/8 Stud             | 3/8-16x1 1/8 Stud                 | CU-250A                       | UL CSA           |
| 16394                    | 1/2-13x1 1/16 Stud            | 1/2-13x1 1/16 Stud                | CU-400A                       | UL CSA           |
| 16395                    | 3/8-16x1 7/16 Stud            | <sup>(2)</sup> 1/4-20x 9/16 Stud  | CU-310A                       | UL CSA           |
| 16591                    | 3/8-16x1 7/16 Stud            | <sup>(2)</sup> 3/8-16x1 7/16 Stud | CU-400A                       | UL -             |

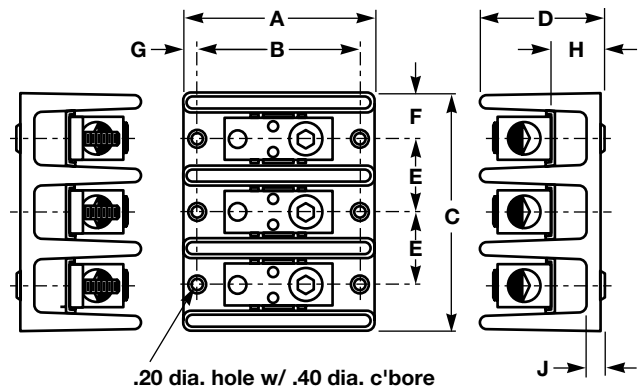
<sup>(1)</sup> Openings per pole.

| Series | A    | B    | C      |        |        |
|--------|------|------|--------|--------|--------|
|        |      |      | 1-pole | 2-pole | 3-pole |
| 162    | 2.87 | 2.25 | 1.06   | 1.87   | 2.68   |
| 163    | 4.00 | 3.37 | 1.98   | 3.60   | 5.21   |
| 165    | 5.50 | 4.75 | 3.10   | 5.79   | 8.48   |

| Series | D    | E    | F    | G   | H    | J   |
|--------|------|------|------|-----|------|-----|
| 162    | 1.75 | .81  | .53  | .31 | .84  | .31 |
| 163    | 3.32 | 1.62 | .97  | .31 | .87  | .35 |
| 165    | 2.93 | 2.68 | 1.55 | .37 | 1.19 | .44 |



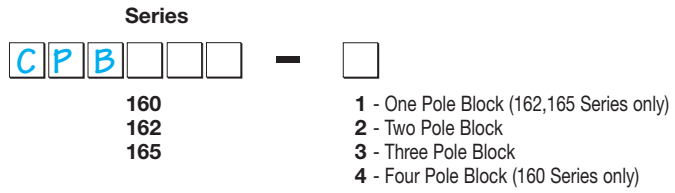
MTG. HOLES .21 x .41  
C'BORE .42 x .62 x .12 DEEP



.20 dia. hole w/ .40 dia. c' bore

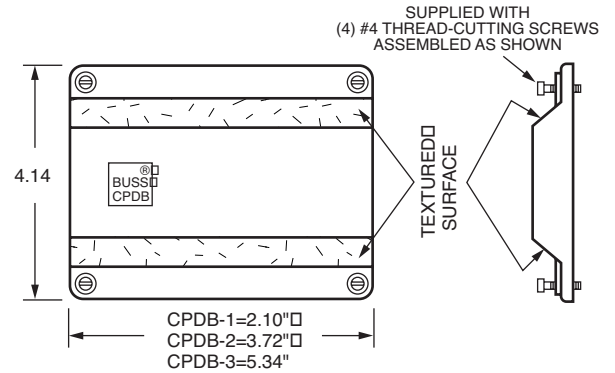
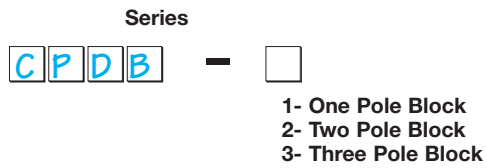
**Covers** (160, 162, 165 Series)

**Part Numbering System**



**Covers** (163 Series)

**Part Numbering System**



Clear with write on surface