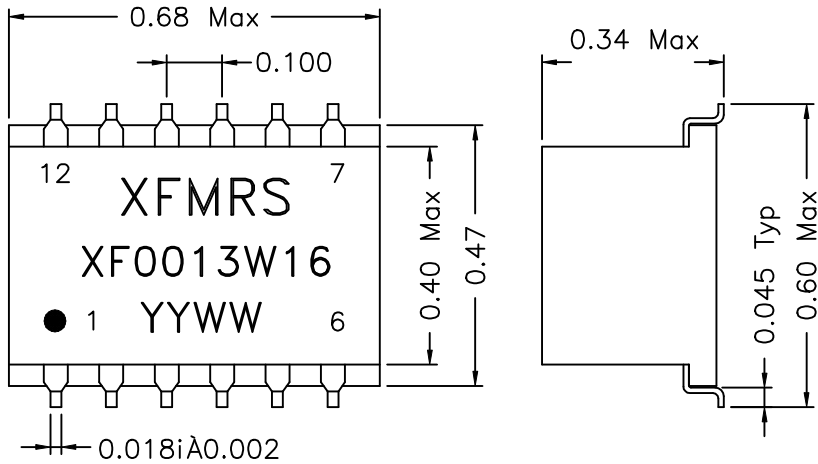
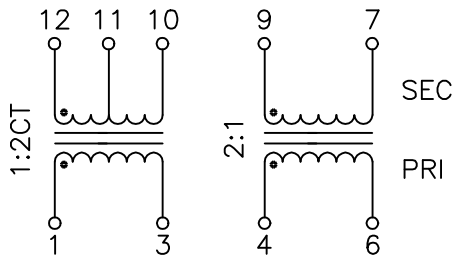


1. Dimensions:



2. Schematic:



3. Electrical Specifications: @25°C

Isolation Voltage: 1500 Vrms (PRI/SEC)

Turns Ratio: (P1-3):(P12-11)=1:2CT

(P4-6):(P9-7)=2:1

PRI OCL: 1.60mH MIN. @10KHz 0.1V

Cw/w: 55pF MAX. @100KHz, 0.1V (P1-12)

Cw/w: 40pF MAX. @100KHz, 0.1V (P4-9)

PRI LL: 1.30uH MAX. @100KHz, 0.1V short SEC

PRI DC Resistance: 1.10 Ohms Max

DC Resistance: 1.10 Ohms Max P12-10

DC Resistance: 0.70 Ohms Max P9-7

DOC. REV: A/1

XFMRS Inc UNLESS OTHERWISE SPECIFIED TOLERANCES: .xxx ±0.010 Dimensions in Inch	Title: TRANSFORMER		
	P/N: XF0013W16	REV. A	
	DWN.	廖玉坤	May-06-00
	CHK.	李清儿	May-06-00
SHEET 1 OF 1	APP.	BW	May-06-00