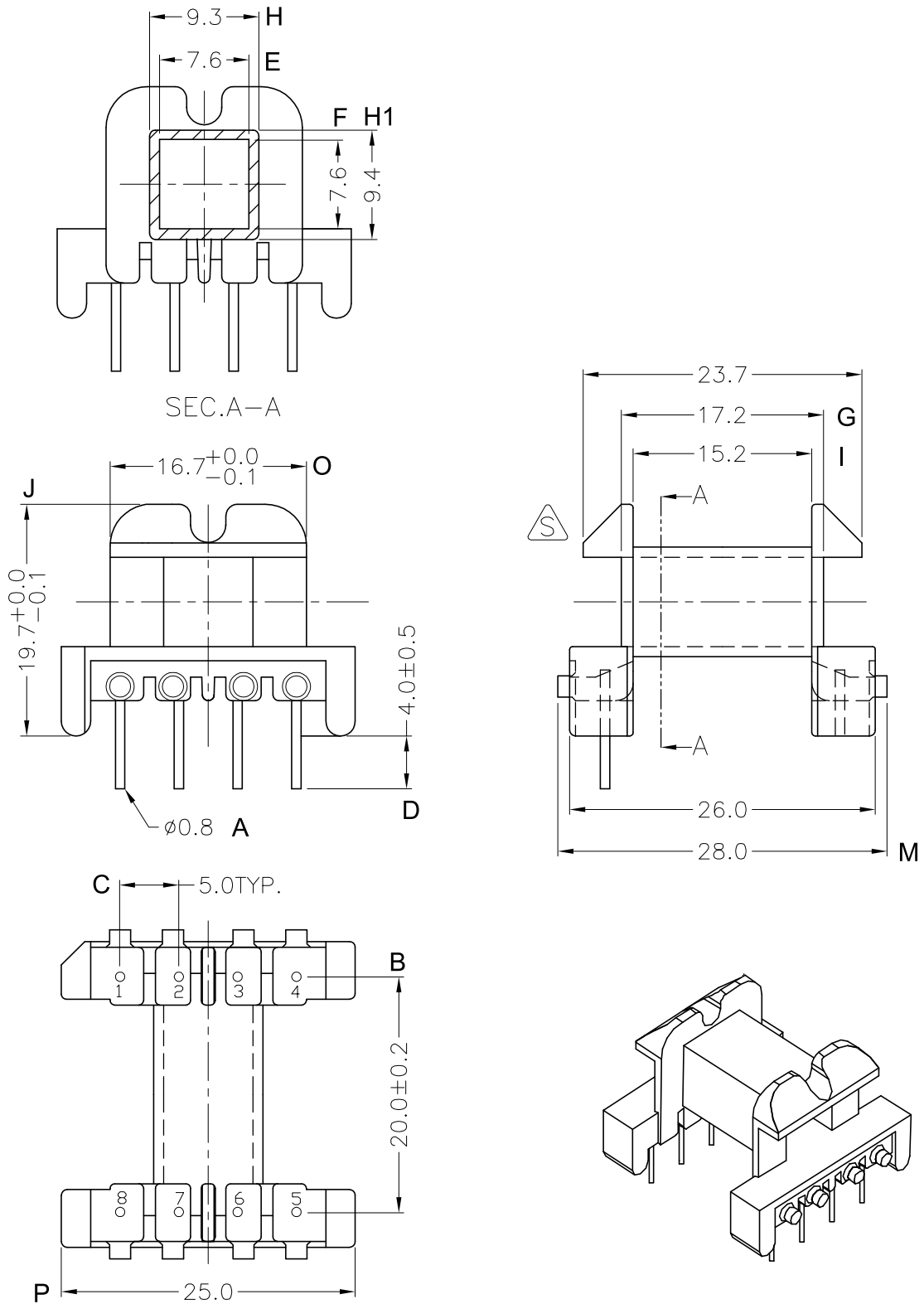


**FERYSTER Inductive Components**

ul. Traugutta 4, 68-120 Iłowa Poland

http://www.feryster.com.pl e-mail: info@feryster.com.pl



<b>DOSTAWCA:</b>	TOLERANCES		ANGLE: $\pm 1^\circ$	TITLE: <b>EF25/7-K-H-8P</b>		
	$0 < L \leq 4 \pm 0.1$ $4 < L \leq 16 \pm 0.2$ $16 < L \leq 63 \pm 0.3$	pin pitch $\pm 0.2$	UNIT: MM	BOBBIN MATERIAL: PHENOLIC T375J	UL REC. UL 94V-0	
FERYSTER Inductive Components			ORIGIN: DG SZ	PIN MATERIAL: CP WIRE	PIN TENSION LOAD: 1.5KG MIN	
TEL: +48 68 360 00 76 FAX: +48 68 360 00 70			DATE: JAN. 02 2001	DRAWING NO. P-2520	REV. 4	