

40 PIN SMD ETHERNET 10/100 BASE QUAD PORT TRANSFORMER

P/N: 40ST1041A DATA SHEET

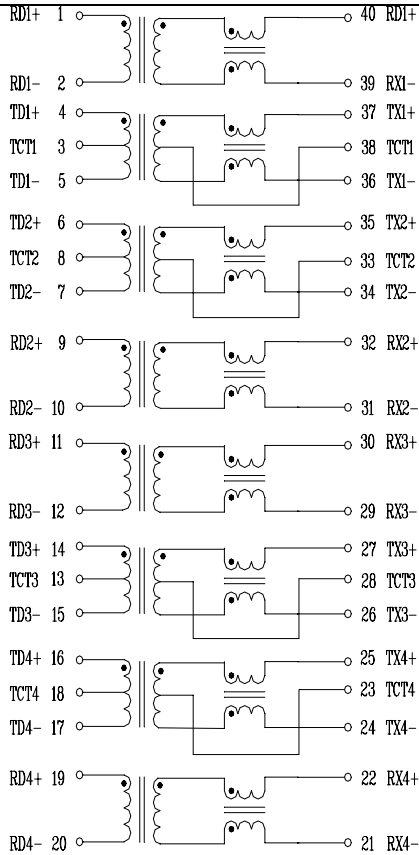
Feature



- IEEE 802.3 Ethernet compatible, 100 Base-TX Surface mountable.
- Design for multiport repeater and Ethernet switching Hub application.
- Customer designs available for specific application.
- Operating temperature range : 0°C to +70°C.
- Storage temperature range: -25°C to +125°C.

Electrical Specifications @ 25°C							
Part Number	Turns Ratio (±5%)		OCL(μ H Min) @100KHz/0.1Vrms 8mA DC/Bias	L.L (μ H Max)	Cw/w (pF Max)	Isolation voltage (Vrms)	Rise Time (nS Typ)
	TX	RX					
40ST1041A	1CT:1CT	1:1	350	0.5	28	1500	2.5
Continue							
Part Number	Insertion Loss (dB Max)	Return Loss (dB Min)			Cross talk (dB Min)	DCMR (dB Min)	
		0.3-100MHz	0.3-30MHz	30-60MHz		60-80MHz	0.3-100MHz
40ST1041A	-1.15	-16	-12	-10	-38	-37	-25

Schematic



Mechanical

