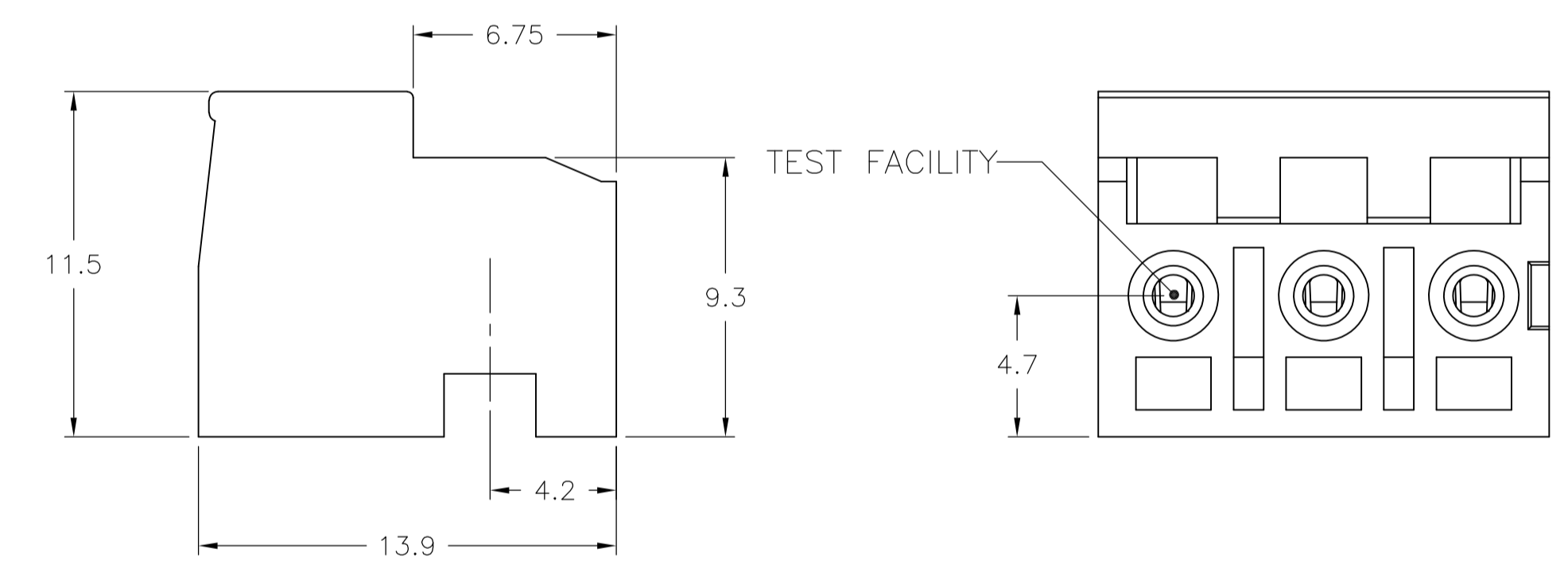
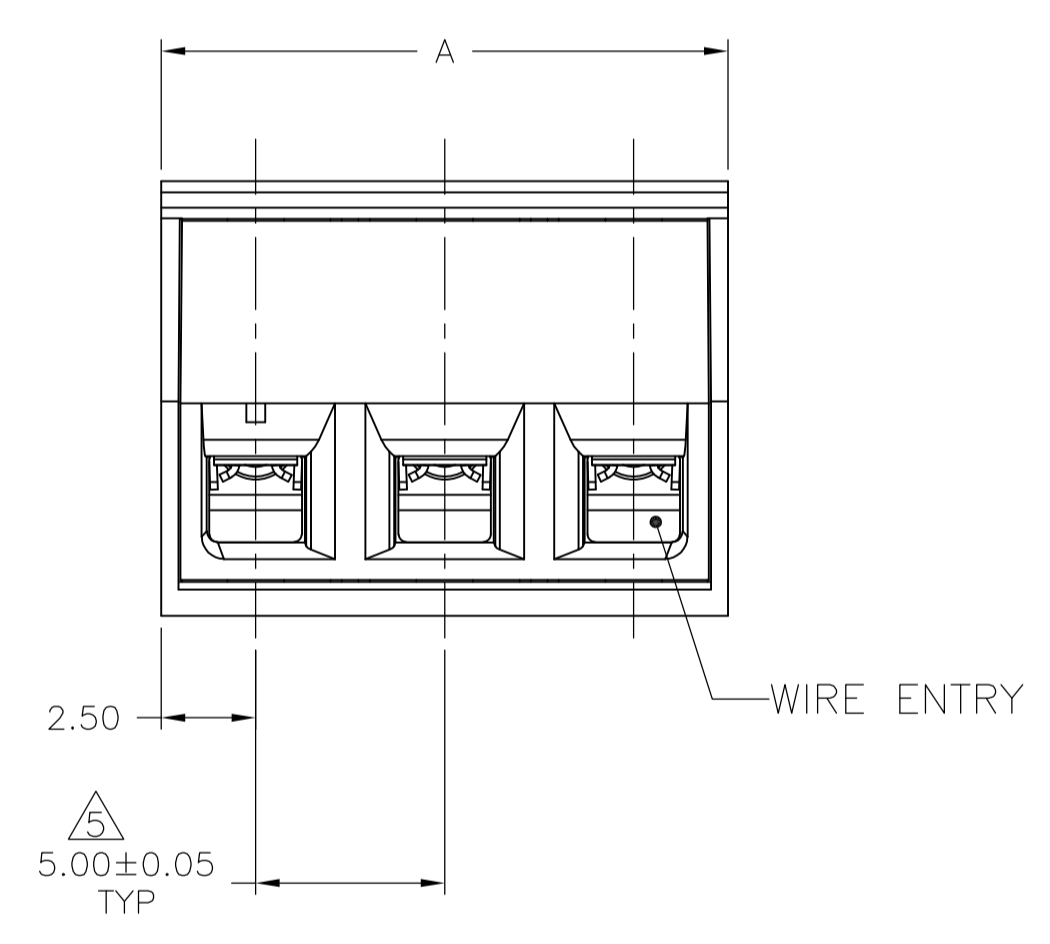
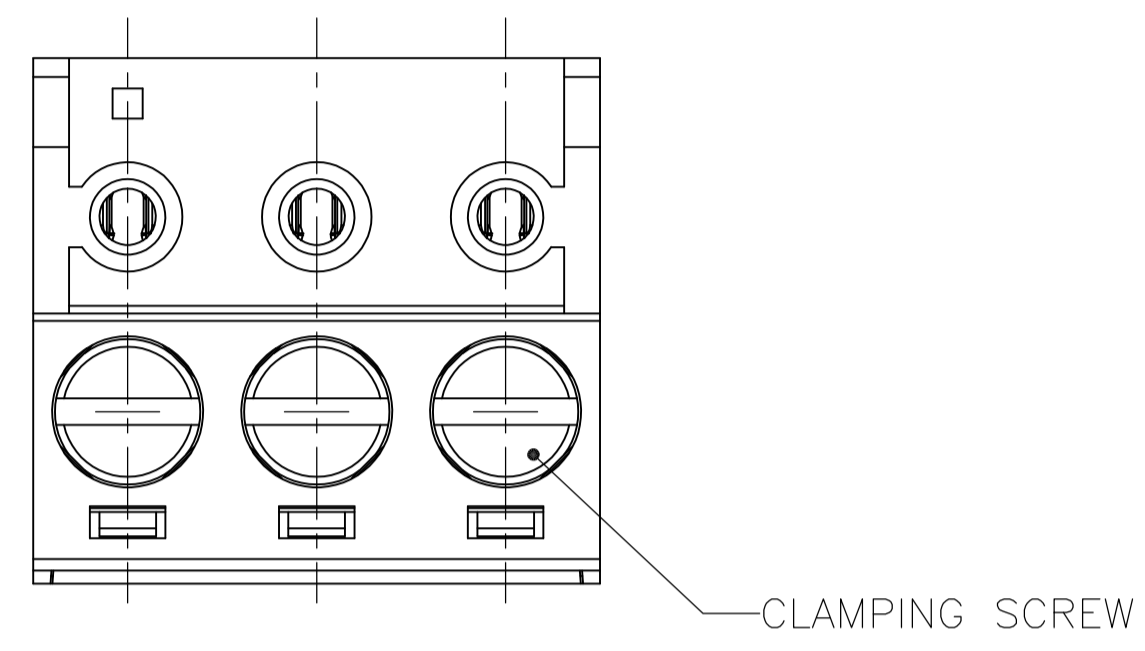


LOC		DIST		REVISIONS			
P	LTR	DESCRIPTION	DATE	DWN	APVO		
L3		REVISED PER ECO-09-017426	8/28/09	SS	CR		

1. MATERIALS AND FINISH
 HOUSING: PA 6-6, UL 94-V0, COLOR: GREEN.
 CLAMP: BRASS, NICKEL PLATED.
 CONTACT: PHOSPHOR BRONZE, TIN PLATED.
 CLAMPING SCREW: M3, BRASS, NICKEL PLATED.
2. WIRE SIZE RANGE: 12-30 AWG
3. RECOGNIZED UNDER THE COMPONENT PROGRAM OF UNDERWRITERS LABORATORIES INC. FILE NO. E60677.
4. IMQ CERTIFICATE WITH SURVEILLANCE IN CONFORMITY WITH IEC 998-1/998-2-1.
5. NOT CUMULATIVE TOLERANCE.
6. INK MARKING, BLACK COLOR.
7. INK MARKING, WHITE COLOR.
8. WIRE ENTRY IN THE CLOSED POSITION.
9. SEE FIGURE.
10. END TO END STACKABLE W/O LOSS OF CENTERLINE SPACING.



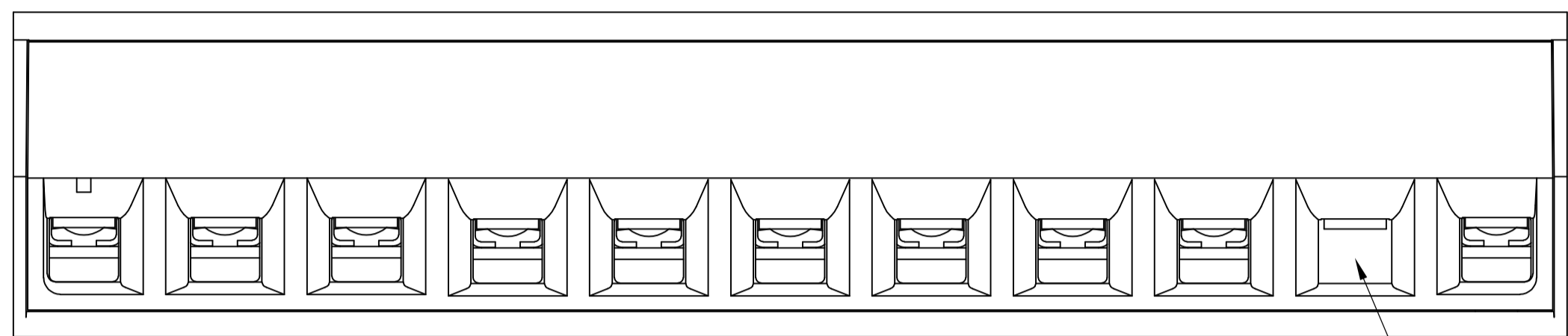
0.254um GOLD	-	10	2	3-282830-6
TIN	-	30	6	3-282830-5
TIN	-	15	3	3-282830-4
TIN	-	10	2	3-282830-3
TIN	-	45	9	3-282830-2
TIN	-	30	6	3-282830-1
TIN	-	125	3	3-282830-0
GOLD	-	15	3	2-282830-9
TIN	1, 3 THRU 11	55	10	2-282830-8
TIN	1 THRU 9, 11	55	10	2-282830-7
TIN	-	125	25	2-282830-6
TIN	-	120	24	2-282830-5
TIN	-	115	23	2-282830-4
TIN	-	110	22	2-282830-3
TIN	-	105	21	2-282830-2
TIN	-	100	20	2-282830-1
TIN	-	95	19	2-282830-0
TIN	-	90	18	1-282830-9
TIN	-	85	17	1-282830-8
TIN	-	80	16	1-282830-7
TIN	-	75	15	1-282830-6
TIN	-	70	14	1-282830-5
TIN	-	65	13	1-282830-4
TIN	-	20	4	1-282830-3
TIN	-	60	12	1-282830-2
TIN	-	55	11	1-282830-1
TIN	-	50	10	1-282830-0
TIN	-	45	9	282830-9
TIN	-	40	8	282830-8
TIN	-	35	7	282830-7
TIN	-	30	6	282830-6
TIN	-	25	5	282830-5
TIN	-	20	4	282830-4
TIN	-	15	3	282830-3
TIN	-	10	2	282830-2
CONTACT PLATING	SELECT LOADED	A	NO OF POSN	PART NUMBER

THIS DRAWING IS A CONTROLLED DOCUMENT.

DRW: S SCHLEGEL	ZBAUG2009	8/28/09	Tyco Electronics Corporation
CHK: C RICHARD			Harrisburg, PA 17105-3608
APVO: C RICHARD		8/28/09	NAME: RICHARD
PRODUCT SPEC			TERMINAL BLOCK PLUG 90/180 DEGREE
APPLICATION SPEC			5.0mm PITCH
SIZE: A1	CAGE CODE: 00779	DRAWING NO: 282830	RESTRICTED TO: -
WEIGHT: -	SCALE: 4:1	SHEET 1 OF 2	REV L3

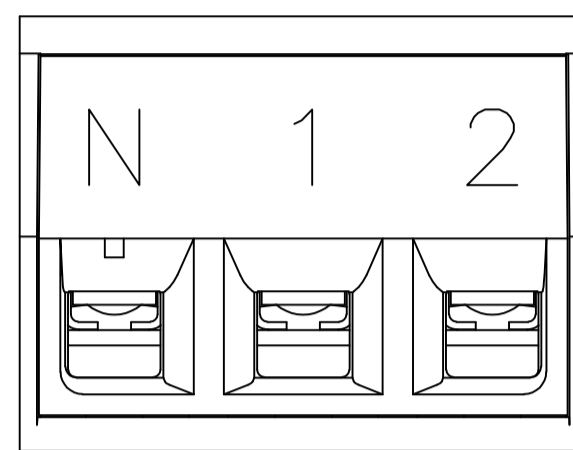
CUSTOMER DRAWING

LOC		DIST		REVISIONS			
P	LTR	DESCRIPTION	DATE	DNW	APVO		
-	-	SEE SHEET 1	-	-	-		

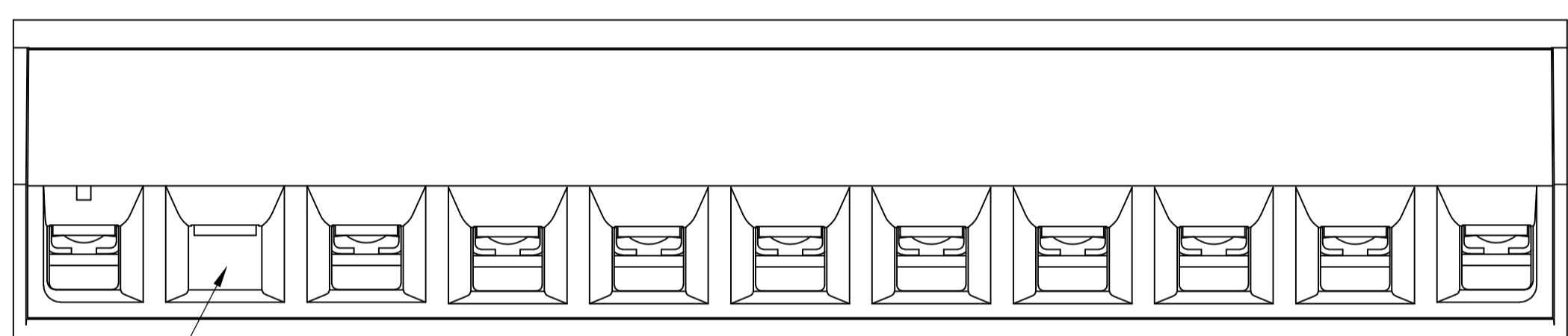


2-282830-7

POSITION 10 IS EMPTY

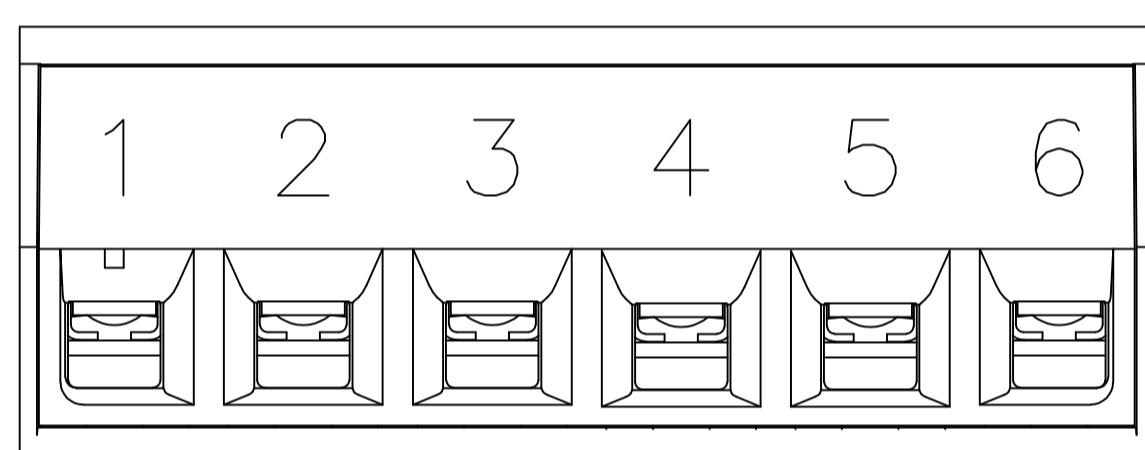


3-282830-0

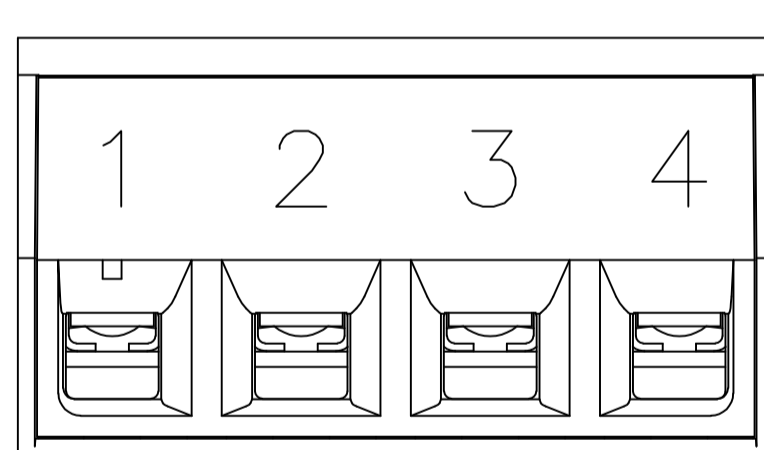


2-282830-8

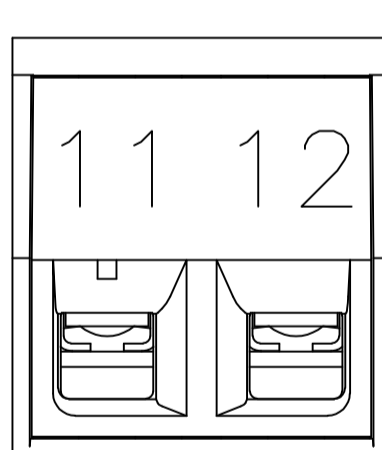
POSITION 2 IS EMPTY



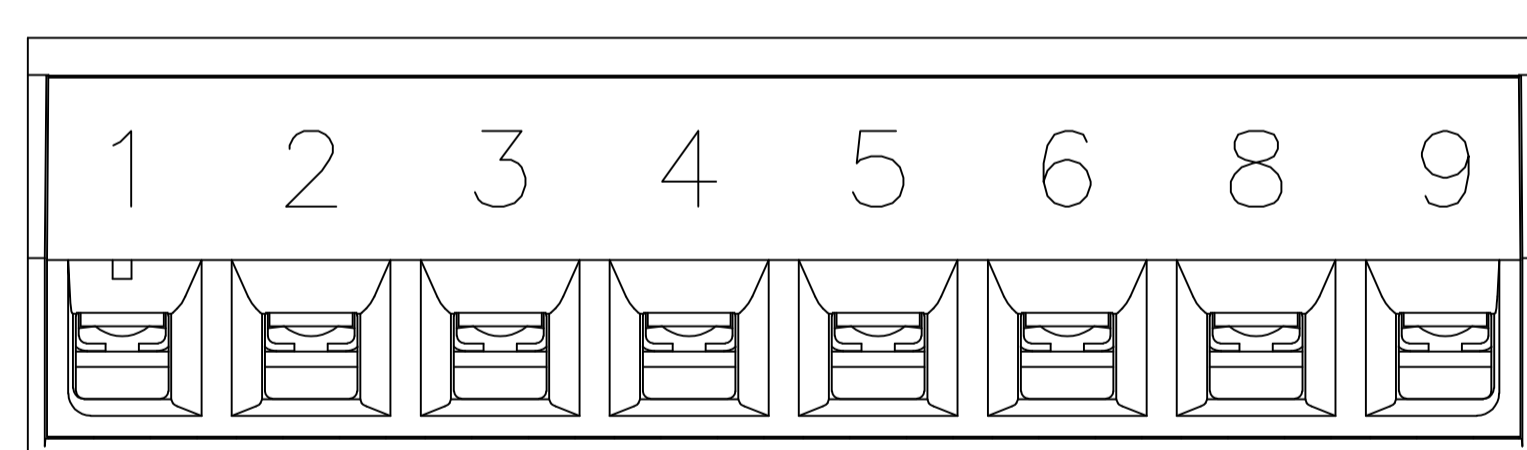
3-282830-1



1-282830-3



3-282830-3



3-282830-2

THIS DRAWING IS A CONTROLLED DOCUMENT.		DWN S SCHLEGEL 8/28/09 CHK C RICHARD 8/28/09 APVO C RICHARD PRODUCT SPEC APPLICATION SPEC WEIGHT CUSTOMER DRAWING	28AUG2009 Tyco Electronics Corporation Harrisburg, PA 17105-3608 NAME TERMINAL BLOCK PLUG 90/180 DEGREE 5.0mm PITCH SIZE A1 CAGE CODE 00779 DRAWING NO C=282830 RESTRICTED TO SCALE 4:1 SHEET 2 OF 2 REV 1.3
DIMENSIONS: mm 	TOLERANCES UNLESS OTHERWISE SPECIFIED: 0. PLC ± - 1. PLC ± 0.3 2. PLC ± 0.25 3. PLC ± - 4. PLC ± - ANGLES ± 1°	MATERIAL FINISH	Tyco Electronics logo Tyco Electronics Corporation Harrisburg, PA 17105-3608 NAME TERMINAL BLOCK PLUG 90/180 DEGREE 5.0mm PITCH SIZE A1 CAGE CODE 00779 DRAWING NO C=282830 RESTRICTED TO SCALE 4:1 SHEET 2 OF 2 REV 1.3