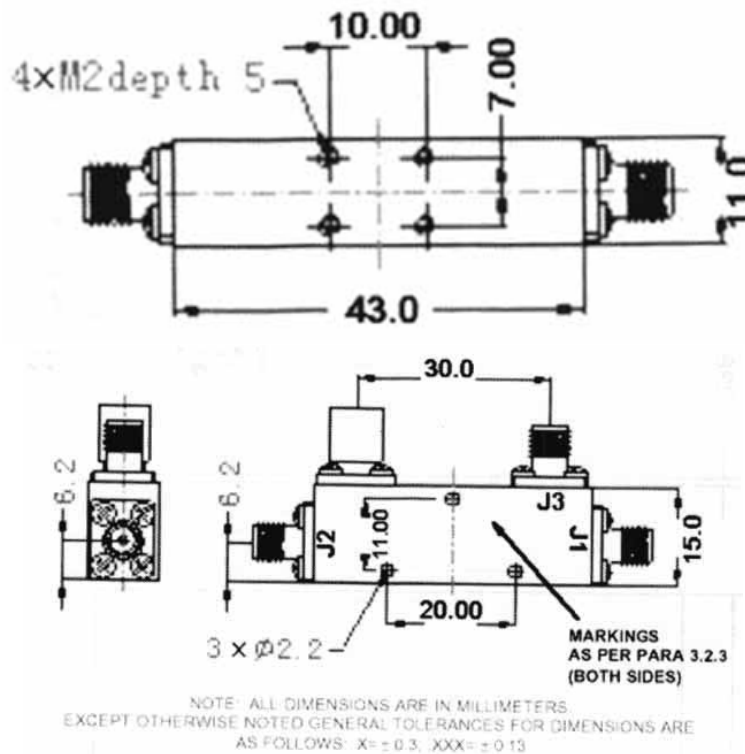


## Directional Coupler

P/N: JXWBOH-T-4-6-20

Frequency Range(GHz)	4~6
Coupling(dB)	20 ±0.5
Insertion Loss(dB)	0.3 max
VSWR	1.25:1 max
Directivity(dB)	20
RF Power(W)	20 Peak,2 Average
Connector	SMA-Female
Size(mm)	43 x 15 x 11
Net Weight(Kg)	0.044 Around

### Outline Drawing



For current data sheets, please contact: [sales@aacix.com](mailto:sales@aacix.com)