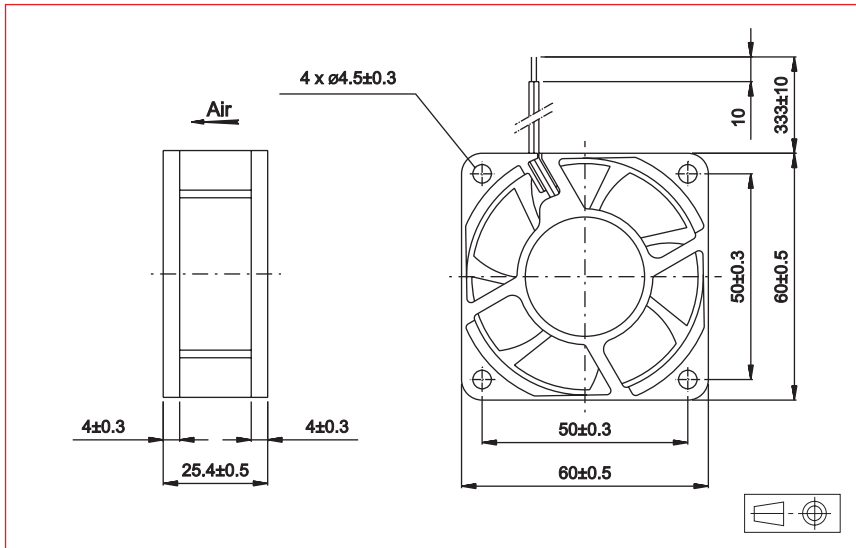


2,362" x 2,362" x 0,984"

60 x 60 x 25 mm

Series
281D
L, M, H, S
speeds

ETRI[®]
DC Axial Fans



Approvals



Life expectancy

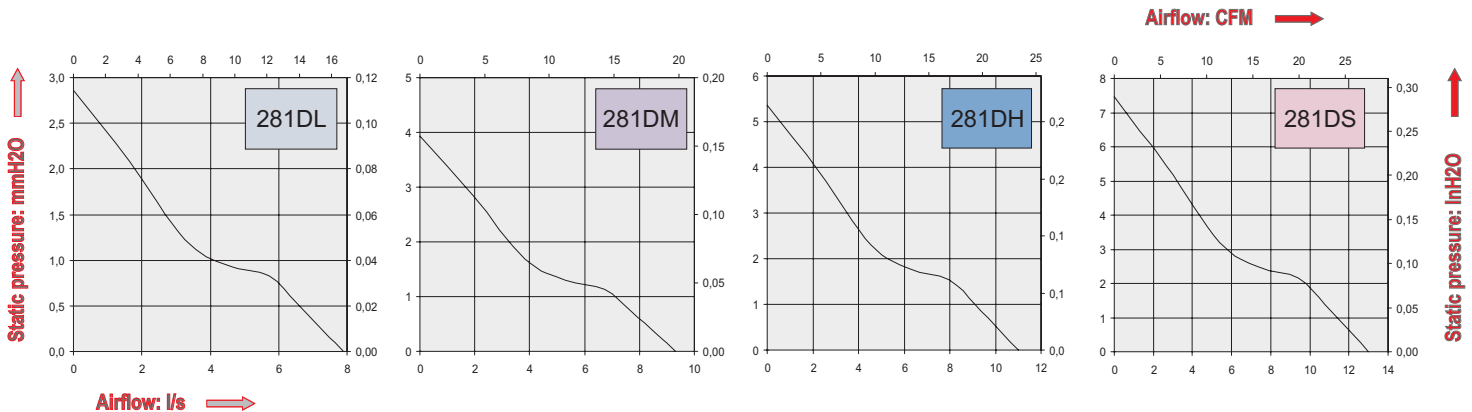
L-10 LIFE AT 40°C :
70 000 hours

Brushless DC Motor

Electrical protection : impedance protected,
Housing material : plastic UL 94 VO
Impeller material : plastic UL 94 VO
Weight : 80g
Bearing system: ball bearings

Available with:

- Speed sensor
- Alarm
- IP54 / IP55



Part Number	Nominal voltage	Airflow	Noise level	Nominal speed	Input Power	Voltage range	Connection type		Operating temperature	
	V						l/s	dB(A)	RPM	W
281DL1LP11000B	12	7,9	26,5	3100	0,96	(4-13,8)	X		-10	70
281DL2LP11000B	24	7,9	26,5	3100	1,44	(14-27,6)	X		-10	70
281DM1LP11000B	12	9,3	31	3600	1,56	(4-13,8)	X		-10	70
281DM2LP11000B	24	9,3	31	3600	1,68	(14-27,6)	X		-10	70
281DH1LP11000B	12	11	34	4250	1,68	(4-13,8)	X		-10	70
281DH2LP11000B	24	11	34	4250	2,16	(14-27,6)	X		-10	70
281DS1LP11000B	12	13	40	5000	2,04	(4-13,8)	X		-10	70
281DS2LP11000B	24	13	40	5000	2,64	(14-27,6)	X		-10	70
281DS4LP11000B	48	13	40	5000	3,84	(28-56)	X		-10	70

Additional versions:

Higher speeds (refer to page 13)

Accessories:

Refer to Accessories leaflet