

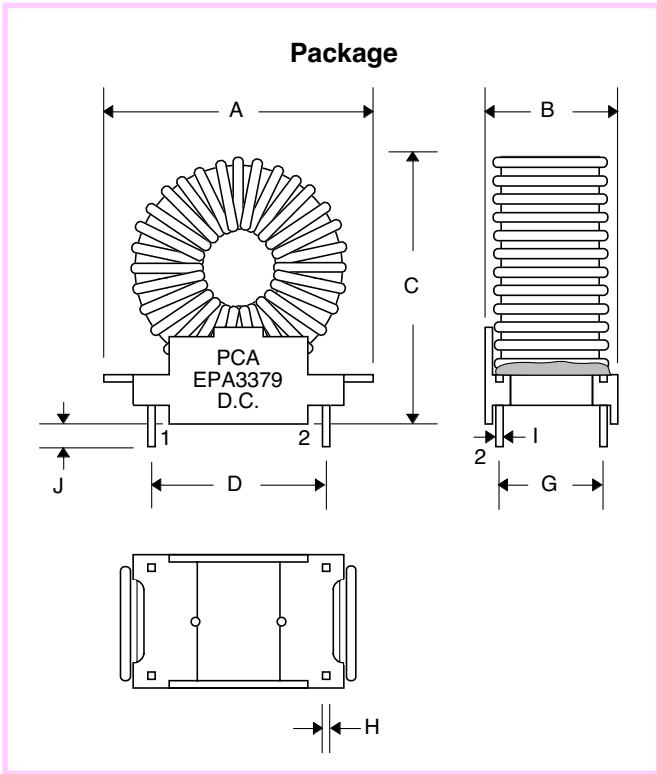
EPA3379



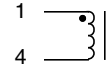
• Class 130 •

Electrical Parameters @ 25° C

Inductance w/o D.C. Bias (μH) ₍₁₎	Inductance w/ D.C. Bias (μH Min.)	DC Current (Amp)	DCR (Ω Max.)	SRF (MHz Typ.)
977 ~ 1193 @ 10 KHz, 0.1Vrms	567	1.5	0.56	1



Schematic



Pin 2, locating pin.
Pin 3, unused pin.

Dimensions

Dim.	(Inches)			(Millimeters)		
	Min.	Max.	Nom.	Min.	Max.	Nom.
A	1.20	1.40		30.48	35.56	
B	.700	.900		17.78	22.86	
C	1.00	1.40		25.40	35.56	
D	.900	Typ.		22.86	Typ.	
G	.600	Typ.		15.24	Typ.	
H	.033	.039		.838	.991	
I	.033	.039		.838	.991	
J	.150	.250		3.81	6.35	