

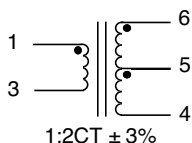


- 6 Pin SMD Package
- 500 Vrms Isolation

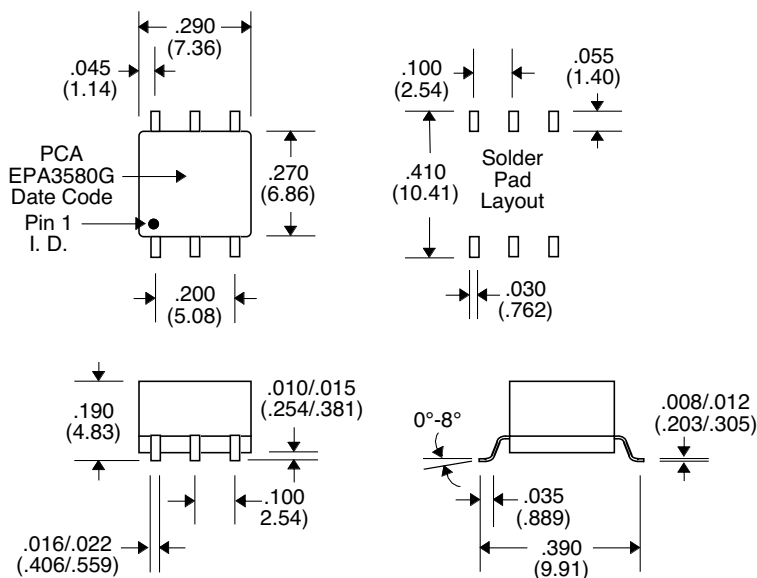
### Electrical Parameters @ 25° C

Open Circuit Inductance ( $\mu\text{H}$ Min.)	Leakage Inductance ( $\mu\text{H}$ Max.)	Bandwidth ( $\Omega$ System)
@ 1 MHz, 20m Vrms (Pins 1-3)	@ 1 MHz, 20m Vrms (Pins 1-3, Pins 6-4-5 shorted)	3 - 200 MHz Min. (3 dB Typ.)
40	0.1	50 $\Omega$

### Schematic



### Package



Unless Otherwise Specified Dimensions are in Inches /mm  $\pm .010 / .25$