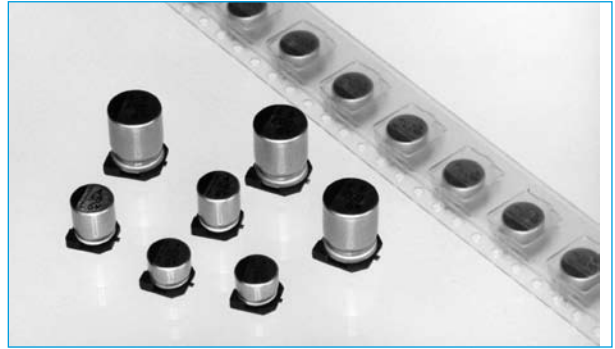


SURFACE MOUNT

- Cylindrical leadless type for surface mounting
- Low cost, general purpose, 2000 hours at 85°
- New expanded CV Range
- Anti-solvent (2 minutes)
- Designed for automatic mounting and reflow soldering

ELECTROLYTIC - 85 ° C DVCR



SPECIFICATIONS

Item	Performance											
Category Temperature Range (°C)	-40 to +85											
Tolerance of Rated Capacity (%)	± 20											
Leakage Current (µA)	Less than 0.01CV or 3 whichever is larger (after 2min) C: rated capacitance (µF)											
Tangent of Loss Angle (tanδ)	Rated Voltage (V)		4	6.3	10	16	25	35	50	63	100	
	tanδ (max)	Ø3	0.42	0.30	0.24	0.22	0.16	0.14	0.12	-	-	
		Ø4 to Ø6.3	0.42	0.28	0.24	0.20	0.14	0.12	0.10	-	-	
		Ø8 to Ø10	-	0.28	0.24	0.20	0.14	0.12	0.10	0.10	0.10	
Characteristics at high and low temperatures	Rated Voltage (V)		4	6.3	10	16	25	35	50	63	100	
	Impedance	Ø3	Z-25°C / Z+20°C	7	4	3	2	2	2	2	-	-
			Z-40°C / Z+20°C	17	10	8	6	4	3	3	-	-
		Ø4 to Ø6.3	Z-25°C / Z+20°C	7	3	3	2	2	2	2	-	-
			Z-40°C / Z+20°C	15	8	5	4	3	3	3	-	-
		Ø8 to Ø10	Z-25°C / Z+20°C	-	4	3	2	2	2	2	2	2
Z-40°C / Z+20°C			-	8	5	4	3	3	3	3	3	
Endurance (85°C) (Applied Ripple Current)	Test Time		2000 hours									
	Leakage Current		The initial specified value or less									
	Percentage of Capacitance Change		Within ±20% of initial value (4vv± 30%)									
	Tangent of Loss Angle		200% or less of the initial specified value (4wv: 3000%)									
Shelf Life (85°C)	Test Time: 1000 hours: other items are the same as those for endurance. JIS C5101-1											
Applicable Standards	JIS C5101-1, -18 1998 (IEC600384-1 1992, -18 1993)											

COEFFICIENT OF FREQUENCY FOR RATED RIPPLE CURRENT

Frequency (Hz)/Rated Voltage	50-60	120	1k	10k - 100k
4 to 16	0.8	1	1.15	1.25
25 to 35	0.8	1	1.25	1.40
50 to 63	0.8	1	1.35	1.50
100	0.7	1	1.35	1.50

ORDERING INFORMATION

DVCR	47	6.3		LF
Range	Capacitance µF	Voltage	Can Size	Lead Free
Small = Blank D8 = 8mm dia D10 = 10mm dia				

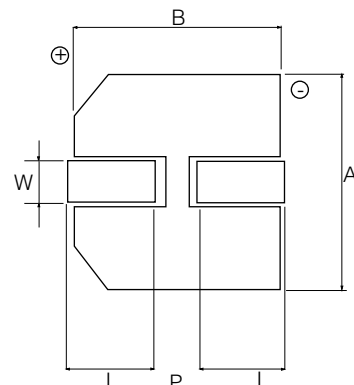
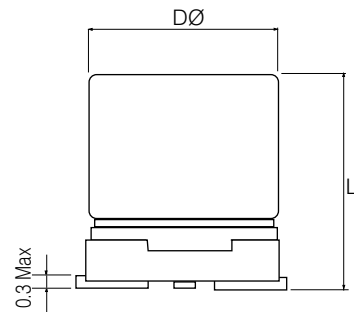
RANGE & CASE SIZE DØ X Lmm

SECTION 1

Part No.	W.V (V.DC)	Cap (uF)	ESR (120Hz/+20C) max	Ripple Current (120Hz/+105C) (mA) rms max	Size dia/height
DVCR224-LF	4	22	32	14	3X5.5
DVCR2204-LF	4	220	3.2	110	6.3X5.5
DVCR226.3D4-LF	6.3	22	21	31	4X5.5
DVCR336.3-LF	6.3	33	21	28	4X5.5
DVCR476.3-LF	6.3	47	15	34	4X5.5
DVCR1006.3-LF	6.3	100	7	58	5X5.5
DVCR1506.3-LF	6.3	150	4.6	83	6.3X5.5
DVCR2206.3-LF	6.3	220	2.6	88	6.3X5.3
DVCR3306.3-LF	6.3	330	2.1	139	6.3X8
DVCR4706.3-LF	6.3	470	0.99	252	8X10
DVCR10006.3-LF	6.3	1000	0.46	458	10X10
DVCR2210-LF	10	22	18	39	5X5.5
DVCR6810-LF	10	68	7.8	54	5X5.5
DVCR10010-LF	10	100	4	98	6.3X5.5
DVCR22010-LF	10	220	1.8	155	8X6.5
DVCR100010-LF	10	1000	0.34	458	10X10
DVCR1016-LF	16	10	37	18	3X5.5
DVCR1016D4-LF	16	10	33	26	4X5.5
DVCR2216-LF	16	22	20	30	4X5.5
DVCR2216D5-LF	16	22	15	44	5X5.5
DVCR3316-LF	16	33	13	44	5X5.5
DVCR4716-LF	16	47	7.1	75	6.3X5.5
DVCR6816-LF	16	68	6.3	74	6.3X5.5
DVCR10016-LF	16	100	3.3	103	6.3X5.5
DVCR15016-LF	16	150	2.9	109	6.3X8
DVCR22016-LF	16	220	2	144	6.3X8
DVCR33016-LF	16	330	1	252	8X10
DVCR47016-LF	16	470	0.71	252	8X10
DVCR4.725-LF	25	4.7	57	11	3X5.5
DVCR1025-LF	25	10	30	23	4X5.5
DVCR2225-LF	25	22	14	43	5X5.5
DVCR3325-LF	25	33	9	54	5X5.5
DVCR4725-LF	25	47	6.4	75	6.3X5.5
DVCR6825-LF	25	68	4.4	90	6.3X5.5
DVCR10025-LF	25	100	3	124	6.3X8
DVCR22025-LF	25	220	1.1	252	8X10
DVCR33025-LF	25	330	0.7	458	10X10
DVCR47025-LF	25	470	0.49	458	10X10

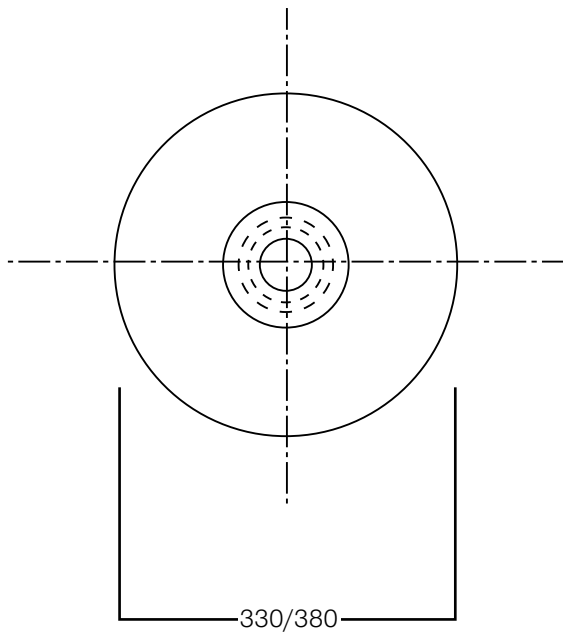
Part No.	W.V (V.DC)	Cap (uF)	ESR (120Hz/+20C) max	Ripple Current (120Hz/+105C) (mA) rms max	Size dia/height
DVCR2.235-LF	35	2.2	106	8	3X5.5
DVCR3.335-LF	35	3.3	70	9	3X5.5
DVCR4.735D4-LF	35	4.7	42	20	4X5.5
DVCR1035-LF	35	10	20	34	5X5.5
DVCR2235-LF	35	22	11	47	5X5.5
DVCR3325-LF	35	33	7	67	6.3X5.5
DVCR4735-LF	35	47	4.9	54	6.3X5.5
DVCR6835-LF	35	68	3.4	109	6.3X8
DVCR10035-LF	35	100	2.3	120	6.3X8
DVCR22035-LF	35	220	0.91	458	10X10
DVCR3.350-LF	50	3.3	50	19	4X5.5
DVCR4.750-LF	50	4.7	42	20	4X5.5
DVCR1050-LF	50	10	17	44	6.3X5.5
DVCR2250-LF	50	22	9	59	6.3X5.5
DVCR3350-LF	50	33	6	82	6.3X8
DVCR4750-LF	50	47	4.2	98	6.3X8
DVCR10050-LF	50	100	1.7	458	10X10
DVCR163-LF	63	1	10	166	4X5.5
DVCR2263-LF	63	22	7.5	139	8X10
DVCR3363-LF	63	33	5	139	8X10
DVCR4763-LF	63	47	3.5	226	10X10
DVCR6863-LF	63	68	2.4	226	10X10
DVCR10063-LF	63	100	1.7	226	10X10
DVCR10100-LF	100	10	16.6	94	8X10
DVCR22100-LF	100	22	7.5	189	10X10
DVCR33100-LF	100	33	5	189	10X10

OUTLINE DRAWING



Ø D	L	A	B	I	W	P
3	5.3 +/- 0.2	3.3	3.3	1.5	0.45 to 0.75	0.8
4	5.3 +/- 0.2	4.3	4.3	2.0	0.5 to 0.8	1.0
5	5.3 +/- 0.2	5.3	5.3	2.3	0.5 to 0.8	1.5
6.3	5.3 +/- 0.2	6.6	6.6	2.7	0.5 to 0.8	2.0
8	6.5 +/- 0.3	8.4	8.4	3.4	0.5 to 0.8	2.3
8	10 +/- 0.5	8.4	8.4	3.0	0.7 to 1.1	3.1
10	10 +/- 0.5	10.4	10.4	3.3	0.7 to 1.1	4.7

TAPE SPECIFICATION



380 = 380mm real size
330 = 330mm real size