

## PLS-041A-3 Standard Level Sensor



### Electrical Characteristics

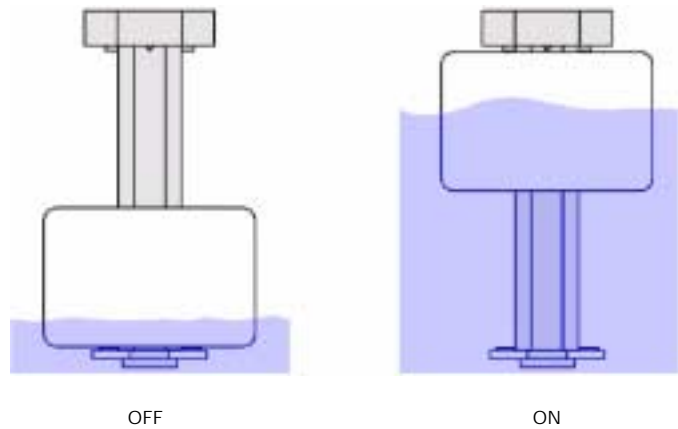
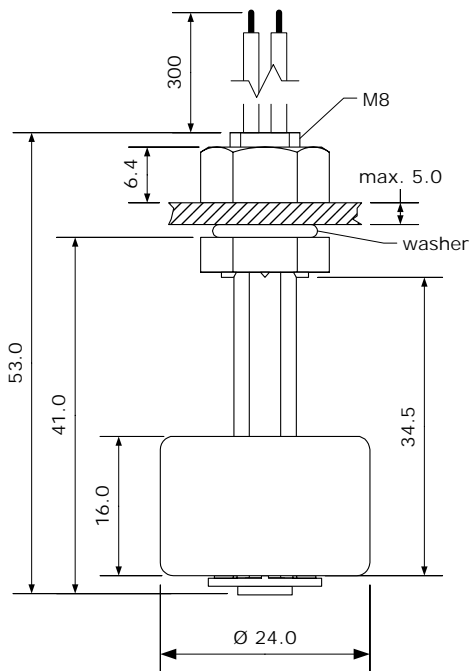
@25°C

Contact form		A
Contact material		Ru
Contact rating max.	W / VA	10
Switching current max.	A	1.0
Carry current max.	A	1.2
Switching voltage max.	VDC	200
	VAC	140
Breakdown voltage min.	VDC	240

### Dimensions

### Operating diagram

in mm



### Temperature Range

Operating temperature	°C	-20 to +80
Storage temperature	°C	-30 to +80

**PLS-041A-3**  
Standard Level Sensor**Material****Use in**

Polypropylene (PP)	Water, dilute acids
Polyamide (PA)	Oil, gasoline (petrol), brake fluid

**Remarks**

- When mounted near ferromagnetic parts switching points may vary

**Packing**

- Packing unit 10 pcs. per plastic bag, protected accordingly

Customized types available.