

PLEASE CHECK WWW.MOLEX.COM FOR LATEST PART INFORMATION

Part Number: **0678380006**
Status: **Active**
Description: Stacked Modular Jack with lightpipes, Right Angle, with Press-Fit Pegs, with Side Panel Grounding Tabs and Inner Shield Ground Tabs, 8/2, 16 Ports

Documents:

[3D Model](#) [Product Specification PS-67838-002 \(PDF\)](#)
[Drawing \(PDF\)](#) [RoHS Certificate of Compliance \(PDF\)](#)

General

Product Family	Modular Jacks/Plugs
Series	67838
Comments	With Lightpipes
Component Type	PCB Jack
Magnetic	No
Performance Category	3
Power over Ethernet (PoE)	N/A
Product Name	RJ45

Physical

Boot Color	N/A
Color - Resin	Black, Clear
Durability (mating cycles max)	500
Inverted / Top Latch	Yes
Keying to Mating Part	None
Lightpipes/LEDs	Lightpipes
Material - Metal	Phosphor Bronze
Material - Plating Mating	Gold
Material - Plating Termination	Tin-Lead
Material - Resin	Polycarbonate, Polyester
Orientation	Right Angle (Side Entry)
PCB Locator	Yes
PCB Retention	Yes
Packaging Type	Tray
Pitch - Mating Interface (in)	0.050 In
Pitch - Mating Interface (mm)	1.27 mm
Pitch - Term. Interface (in)	0.050 In
Pitch - Term. Interface (mm)	1.27 mm
Ports	16
Positions / Loaded Contacts	8/2
Surface Mount Compatible (SMC)	No
Temperature Range - Operating	-40°C to +70°C
Termination Interface: Style	Through Hole
Waterproof / Dustproof	No
Wire/Cable Type	N/A

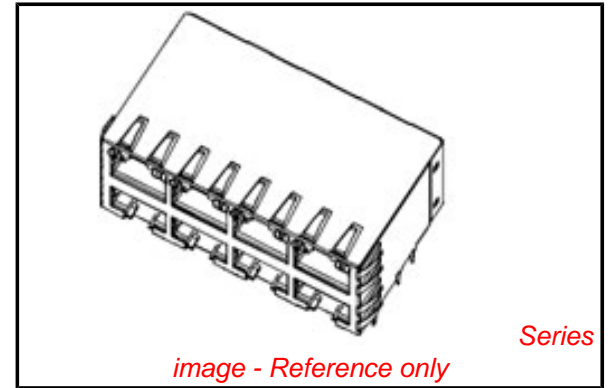
Electrical

Current - Maximum per Contact	1.5A
Grounding to PCB	Yes
Grounding to Panel	Panel Ground Tab
Shielded	Yes
Voltage - Maximum	150V AC (RMS)

Material Info

Reference - Drawing Numbers

Product Specification	PS-67838-002
-----------------------	--------------



EU RoHS

Not RoHS Compliant

REACH SVHC

Not Reviewed

Halogen-Free

Status

Not Reviewed

China RoHS



Need more information on product environmental compliance?

Email productcompliance@molex.com
 For a multiple part number RoHS Certificate of Compliance, [click here](#)

Please visit the [Contact Us](#) section for any non-product compliance questions.

Search Parts in this Series

67838Series

Mates With

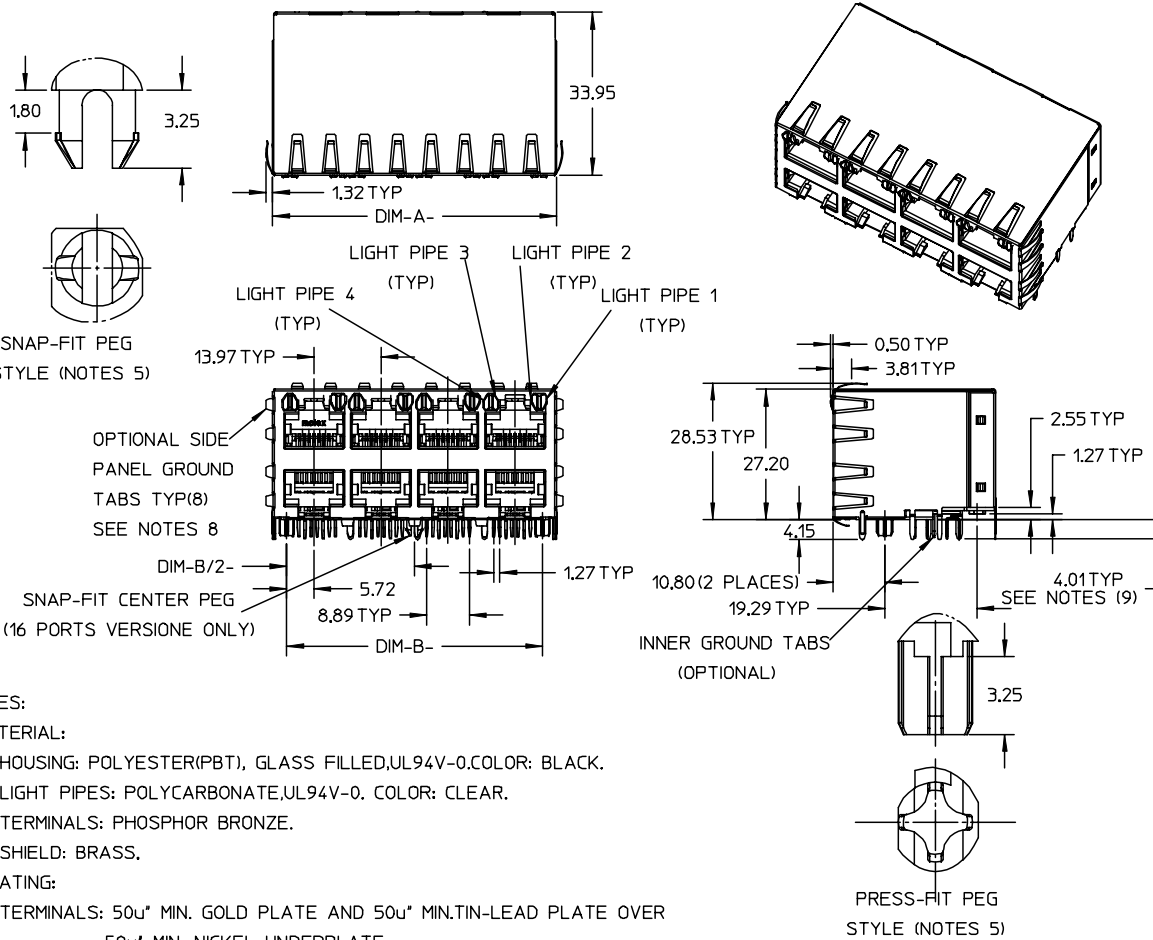
FCC 68 Plugs

Use With

Shielded RJ45 Plugs

This document was generated on 06/07/2010

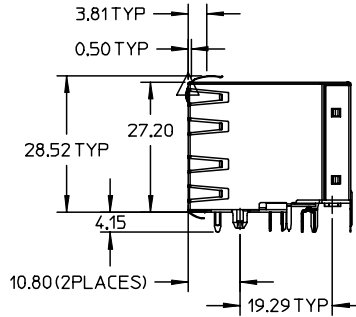
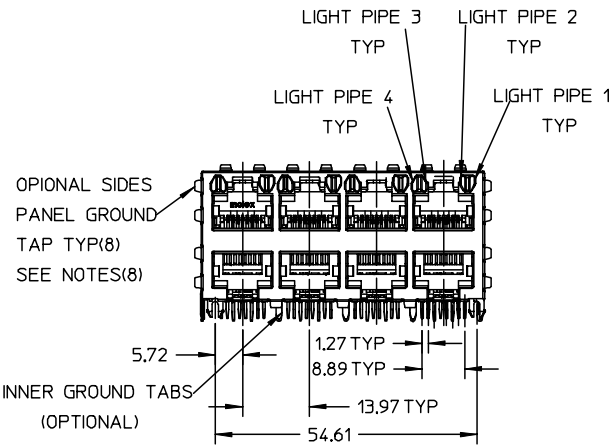
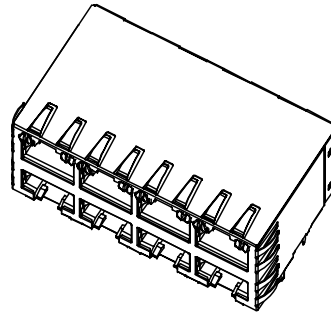
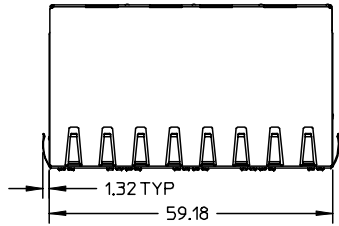
PLEASE CHECK WWW.MOLEX.COM FOR LATEST PART INFORMATION



- NOTES:
- MATERIAL:
 - HOUSING: POLYESTER(PBT), GLASS FILLED,UL94V-0.COLOR: BLACK.
 - LIGHT PIPES: POLYCARBONATE,UL94V-0. COLOR: CLEAR.
 - TERMINALS: PHOSPHOR BRONZE.
 - SHIELD: BRASS.
 - PLATING:
 - TERMINALS: 50u" MIN. GOLD PLATE AND 50u" MIN.TIN-LEAD PLATE OVER 50u" MIN. NICKEL UNDERPLATE.
 - SHIELD: SELECTIVE 50u" MIN. TIN-LEAD PLATE AT SOLDERING TAILS OVER 50u" MIN. NICKEL UNDERPLATE.
 - PRODUCT SPECIFICATION: PS-67838-002.
 - PACKAGING: CONNECTOR ASSEMBLE IN THERMOFORMED TRAY.
 - CONNECTORS AVAILABLE WITH EITHER SNAP-FIT OR PRESS-FIT PEGS.
 - CONFORMS TO FCC REGULATION PART 68.5 FOR MODULAR JACKS.
 - P.C.B LAYOUT SHOWN AS RECOMMEND LAYOUT (SHEET 2).
 - AVAILABLE WITH THE (8) PANEL GROUND TABS REMOVE ON EACH SIDE FOR SIDE TO SIDE STACKABILITY.
 - TERMINAL LENGTH MAY BE DIFFERENT FROM TERMINAL TO TERMINAL.

ASSEMBLY MATERIAL No.	No. OF PORTS	PEG STYLE	DIM-A	DIM-B	SIDE PANEL GROUND TABS	INNER GROUND TABS
67838-0001	8 (2X4)	SNAP-FIT	59.18	53.34	YES	YES
67838-2001	8 (2X4)	SNAP-FIT	59.18	53.34	NO	YES
67838-3001	8 (2X4)	SNAP-FIT	59.18	53.34	YES	NO
67838-4001	8 (2X4)	SNAP-FIT	59.18	53.34	NO	NO
67838-0004	8 (2X4)	PRESS-FIT	59.18	53.34	YES	YES
67838-2004	8 (2X4)	PRESS-FIT	59.18	53.34	NO	YES
67838-3004	8 (2X4)	PRESS-FIT	59.18	53.34	YES	NO
67838-4004	8 (2X4)	PRESS-FIT	59.18	53.34	NO	NO
67838-0002	12(2X6)	SNAP-FIT	87.12	81.28	YES	YES
67838-2002	12(2X6)	SNAP-FIT	87.12	81.28	NO	YES
67838-3003	12(2X6)	SNAP-FIT	87.12	81.28	YES	NO
67838-4002	12(2X6)	SNAP-FIT	87.12	81.28	NO	NO
67838-0005	12(2X6)	PRESS-FIT	87.12	81.28	YES	YES
67838-2005	12(2X6)	PRESS-FIT	87.12	81.28	NO	YES
67838-3005	12(2X6)	PRESS-FIT	87.12	81.28	YES	NO
67838-4005	12(2X6)	PRESS-FIT	87.12	81.28	NO	NO
67838-0003	16(2X8)	SNAP-FIT	115.06	109.22	YES	YES
67838-2002	16(2X8)	SNAP-FIT	115.06	109.22	NO	YES
67838-3003	16(2X8)	SNAP-FIT	115.06	109.22	YES	NO
67838-4003	16(2X8)	SNAP-FIT	115.06	109.22	NO	NO
67838-0006	16(2X8)	PRESS-FIT	115.06	109.22	YES	YES
67838-2006	16(2X8)	PRESS-FIT	115.06	109.22	NO	YES
67838-3006	16(2X8)	PRESS-FIT	115.06	109.22	YES	NO
67838-4006	16(2X8)	PRESS-FIT	115.06	109.22	NO	NO

NEW RELEASE EC NO: SH2003-0013 DRWN: GRMA CHK: CHIK APPR: SHUANG	QUALITY SYMBOLS -0 -0	GENERAL TOLERANCES (UNLESS SPECIFIED)		SCALE 1:1	DESIGN UNITS METRIC	THIRD ANGLE PROJECTION	REVISE ON CAD ONLY	
		mm	INCH	DIMENSION STYLE		TITLE STACKED MODULAR JACK WITH LIGHT PIPES		
		4 PLACES ± ---	± ---	MM ONLY				
		3 PLACES ± ---	± ---	DRAWN BY	DATE	MATERIAL NO. DOCUMENT NO. SHEET NO. SEE CHART SD-67838-001 1 OF 4		
		2 PLACES ± 0.25	± ---	GRATE MA	2003/04/18			
1 PLACE ± 0.3	± ---	CHECKED BY	DATE	THIS DRAWING CONTAINS INFORMATION THAT IS PROPRIETARY TO MOLEX INCORPORATED AND SHOULD NOT BE USED WITHOUT WRITTEN PERMISSION				
ANGULAR ± 1/2 °		YAJUN	2003/04/18					
DRAFT WHERE APPLICABLE		APPROVED BY	DATE	B				
MUST REMAIN WITHIN DIMENSIONS		SAM	2003/04/18					



NOTES:

1.MATERIAL:

HOUSING: POLYESTER(PBT), GLASS FILLED,UL94V-0.COLOR: BLACK.
 LIGHT PIPES: POLYCARBONATE,UL94V-0.COLOR: CLEAR.
 TERMINALS: PHOSPHOR BRONZE.
 SHIELD: BRASS.

2.PLATING:

TERMINALS: 50u" MIN. GOLD PLATE AND 50u" MIN.TIN-LEAD PLATE OVER 50u" MIN. NICKEL UNDERPLATE.
 SHIELD: SELECTIVE 50u" MIN. TIN-LEAD PLATE AT SOLDERING TAILS OVER 50u" MIN. NICKEL UNDERPLATE.

3.PRODUCT SPECIFICATION: PS-67838-002.

4.PACKAGING: CONNECTOR ASSEMBLY IN THERMOFORMED TRAY.

5.CONNECTORS AVAILABLE WITH PRESS-FIT PEGS ONLY.

6.CONFORMS TO FCC REGULATION PART 68.5 FOR MODULAR JACKS.

7.P.C.B LAYOUT SHOWN AS RECOMMEND LAYOUT (SHEET 4).

8.AVAILABLE WITH THE (8) PANEL GROUND TABS REMOVE ON EACH SIDE FOR SIDE TO SIDE STACKABILITY.

9.TERMINAL LENGTH MAY BE DIFFERENT FROM TERMINAL TO TERMINAL.

ASSEMBLY MATERIAL NO.	NO. OF PORTS	PEGS STYLE	SIDE PANEL GROUND TABS	INNER SHIELD GROUND TABS
67838-0104	8(2X4)	SNAP-FIT	YES	YES
67838-3104	8(2X4)	SNAP-FIT	NO	YES
67838-3104	8(2X4)	SNAP-FIT	YES	NO
67838-4104	8(2X4)	SNAP-FIT	NO	NO

NEW RELEASE
 EC NO: SH2003-0013
 DRWN:GRMA 2003/04/16
 CHKD: 2003/04/17
 APPR: SHUANG 2003/04/17

QUALITY SYMBOLS	DESCRIPTION
▽ = 0	
▽C = 0	

	GENERAL TOLERANCES (UNLESS SPECIFIED)	
	mm	INCH
4 PLACES	± ---	± ---
3 PLACES	± ---	± ---
2 PLACES	± 0.25	± ---
1 PLACE	± 0.3	± ---
ANGULAR ±1/2°		
DRAFT WHERE APPLICABLE		
MUST REMAIN WITHIN DIMENSIONS		

SCALE	DESIGN UNITS
1:1	METRIC
DIMENSION STYLE	
MM ONLY	
DRAWN BY	DATE
GRATE MA	2003/04/18
CHECKED BY	DATE
YAJUN	2003/04/18
APPROVED BY	DATE
SAM	2003/04/18

THIRD ANGLE PROJECTION	REVISE ON CAD ONLY
TITLE	
STACKED MODULAR JACK WITH LIGHT PIPES	
MATERIAL NO. DOCUMENT NO. SHEET NO.	
SEE CHART	SD-67838-001 3 OF 4
THIS DRAWING CONTAINS INFORMATION THAT IS PROPRIETARY TO MOLEX INCORPORATED AND SHOULD NOT BE USED WITHOUT WRITTEN PERMISSION	

