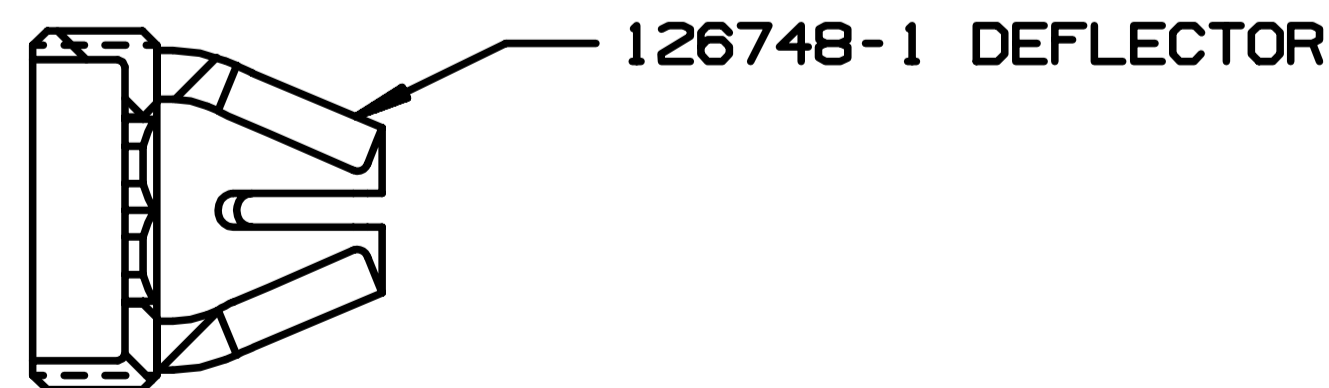
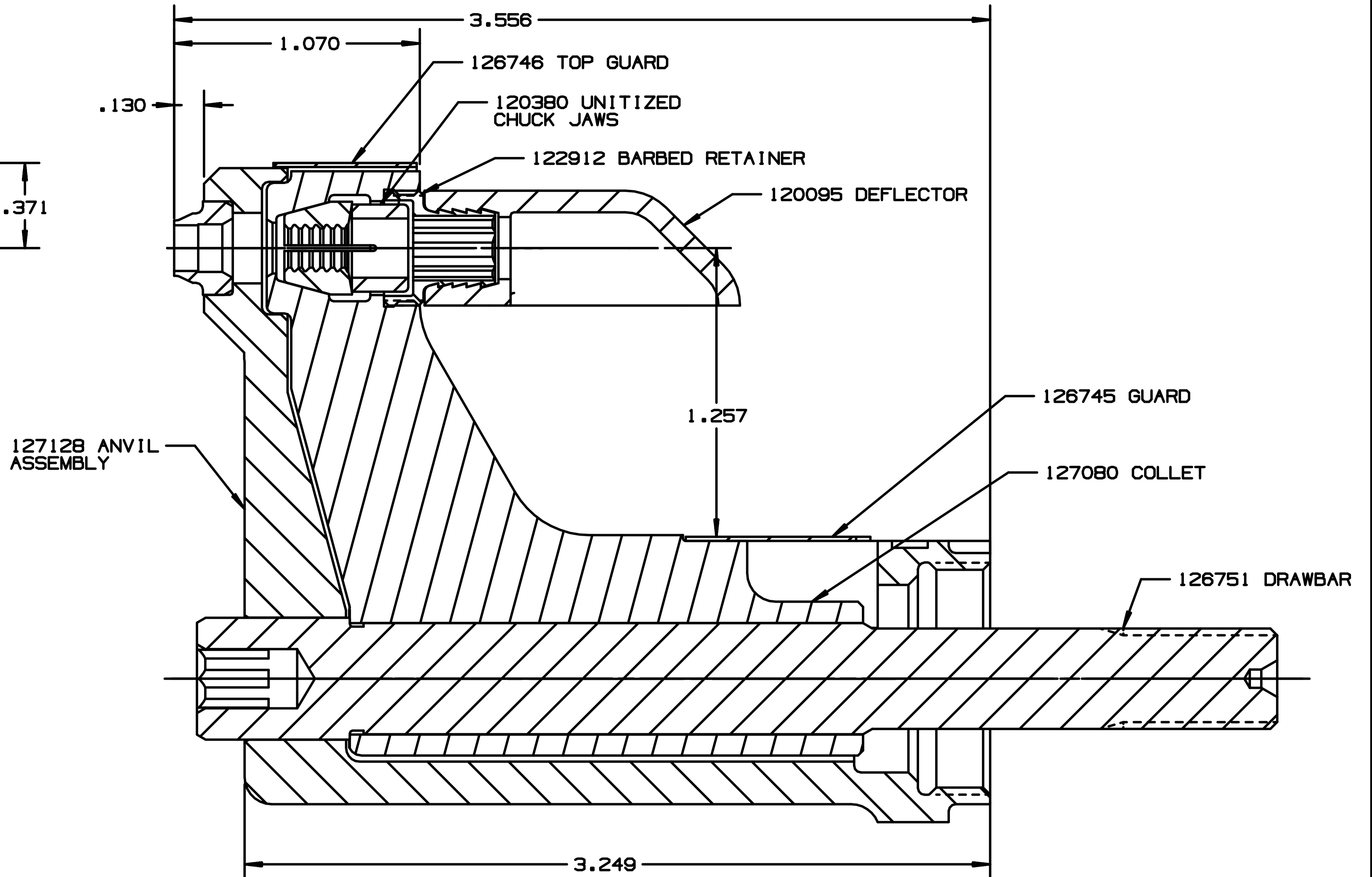
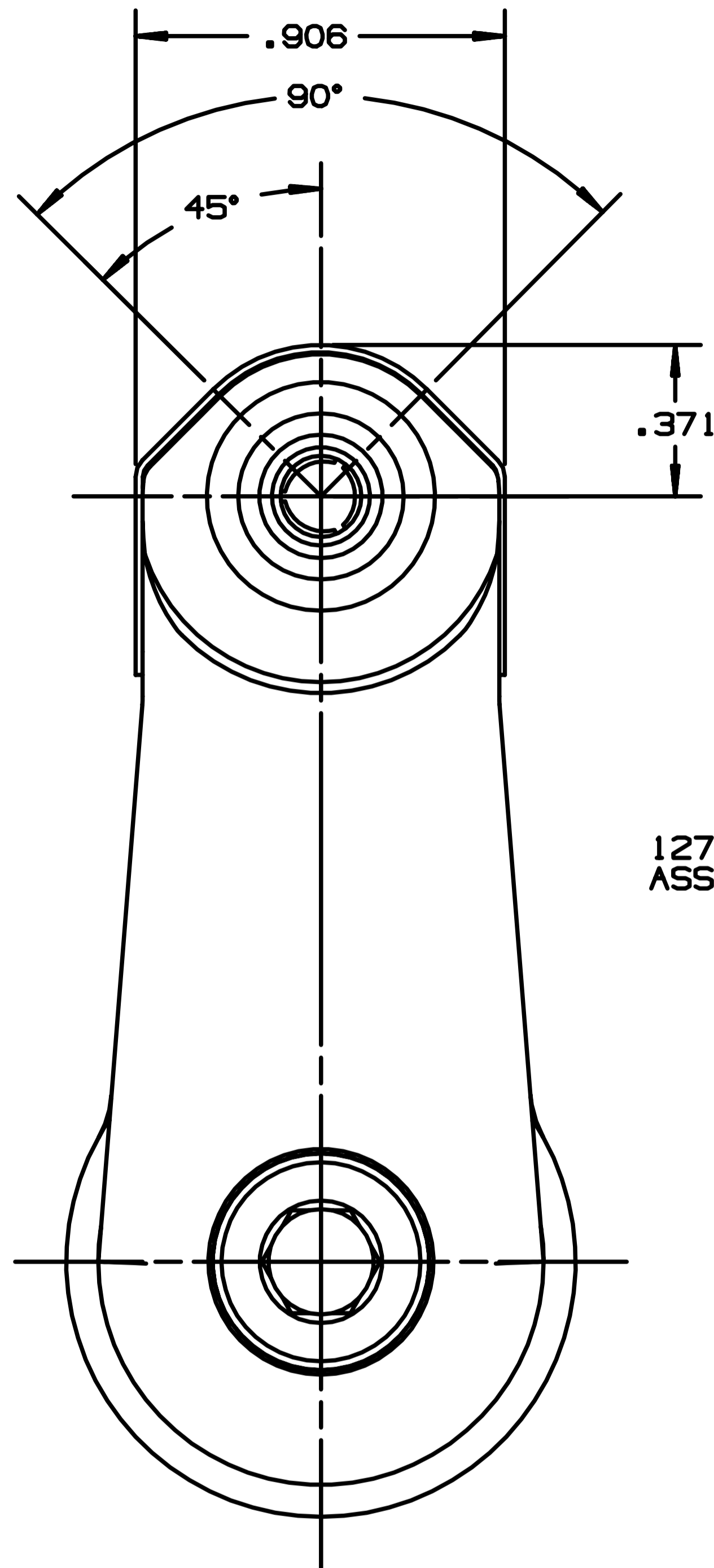


REV	DESCRIPTION	DATE
C	MODELED IN UG	12/11/04



**NOTES:**

- 1 MAXIMUM RECOMMENDED STROKE: .500
- 2 FOR USE WITH THE 225/245 TOOL, USE ATTACHMENT P/N 119400-1 AND STROKE LIMITER KIT 119362
- 3 FOR USE WITH 2500 TOOL, USE ATTACHMENT P/N 119400-1 AND STROKE LIMITER KIT 119888
- 4 FOR OTHER TOOLS AND/OR OTHER TOOL AND STROKE COMBINATIONS, CONSULT ENGINEERING DEPARTMENT
- 5 SHIP WITH STOP 126747
- 6 SHIP WITH DEFLECTOR 126748-1

IDENTIFICATION PER SPEC 42-311: ★ ETCH			
HUCK INTERNATIONAL, INC., I.S.D. 1 CORPORATE DR., P.O. BOX 2270 KINGSTON, NEW YORK 12401			
NOSE ASSEMBLY -08 BLIND BOLT			
DET: MVM	CHK:	DATE: 10/29/02	SCALE: 2:1
FOC. FAC.	B	99-3714-1	