

**PLEASE CHECK WWW.MOLEX.COM FOR LATEST PART INFORMATION**

**Part Number:** [0357500910](#)  
**Status:** **Active**  
**Description:** Ring Tongue Terminal for 14-18 AWG (0.75~2.08mm<sup>2</sup>), Stud Size 8 M4, Tin Plating

**Documents:**

[Drawing \(PDF\)](#) [RoHS Certificate of Compliance \(PDF\)](#)  
[Product Specification PS-35750-0300 \(PDF\)](#)

**Agency Certification**

UL E134962

**General**

Product Family Ring and Spade Terminals  
 Series [35750](#)  
 Crimp Quality Equipment Yes  
 Mil-Spec N/A  
 Product Name N/A  
 Type Ring

**Physical**

Barrel Type Open  
 Insulation None  
 Material - Plating Mating Tin  
 Packaging Type Reel  
 Plating min: Mating (µin) 40  
 Plating min: Mating (µm) 1  
 Plating min: Termination (µin) 40  
 Plating min: Termination (µm) 1  
 Stud Size 8 (M4)  
 Temperature Range - Operating -40°C to +105°C  
 Termination Interface: Style Crimp or Compression  
 Wire Insulation Diameter 3.20mm (.126") max.  
 Wire Size AWG 14, 16, 18  
 Wire Size mm<sup>2</sup> 0.75 - 2.08

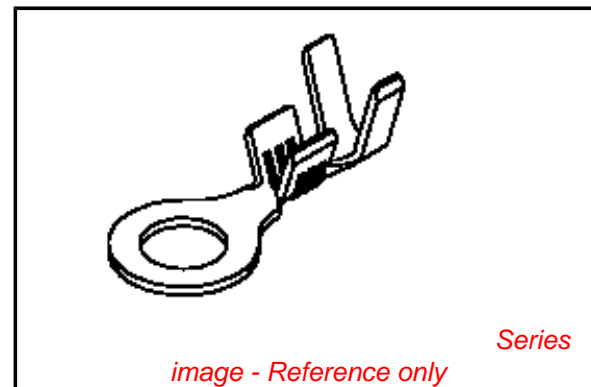
**Electrical**

Voltage - Maximum 300V AC

**Material Info**

**Reference - Drawing Numbers**

Product Specification PS-35750-0300  
 Sales Drawing SD-35750-09\*0



**EU RoHS**

**ELV and RoHS  
 Compliant**  
**REACH SVHC  
 Contains SVHC: No**  
**Halogen-Free  
 Status**

**China RoHS**



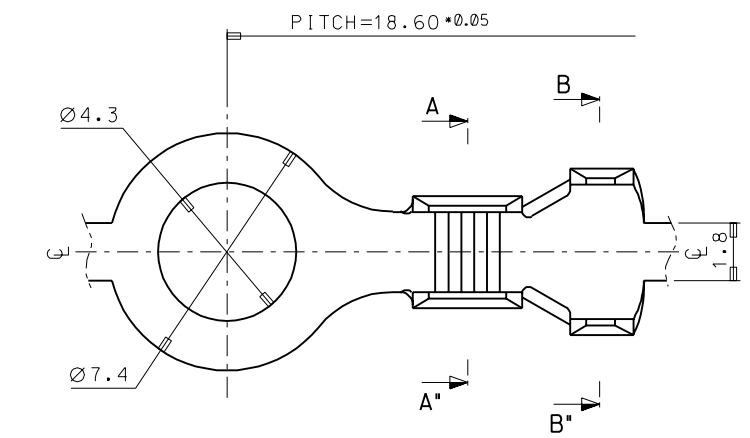
**Need more information on product  
 environmental compliance?**

Email [productcompliance@molex.com](mailto:productcompliance@molex.com)  
 For a multiple part number RoHS Certificate of  
 Compliance, [click here](#)

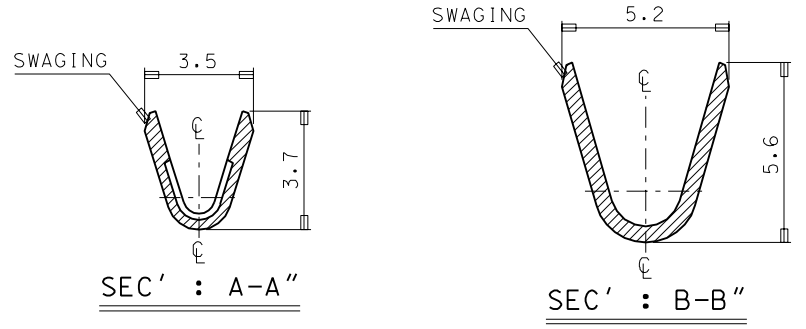
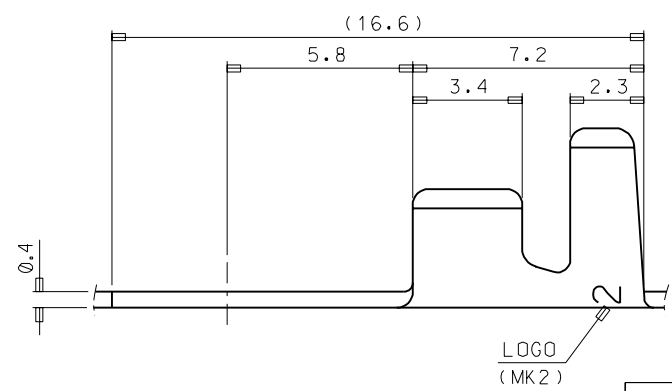
Please visit the [Contact Us](#) section for any  
 non-product compliance questions.

**Search Parts in this Series**  
[35750Series](#)

DWG. NO. SD 35750-0900  
 PROJECT NO. SIMILAR ITEM  
 ∅4.3 RING TERMINAL  
 DO NOT SCALE DRAWING  
 DIMENSION IN METRIC



- NOTES
- MATERIAL : BRASS , 0.4mm THICKNESS
  - FINISH : 35750-0900 (UNPLATED)  
 35750-0910 (POST-PLATED TIN)  
 35750-0920 (PRE-PLATED TIN)  
 35750-0940 (POST-PLATED TIN-LEAD)
  - RECOMMENDED LENGTH OF WIRE STRIP IS 4.8-5.4mm.
  - APPLICABLE WIRE : AWG #18-#14 (0.75-2.08mm<sup>2</sup>)  
 INSULATION DIA. : ∅3.2mm MAX.



1	D
1	C
1	B
1	A
SHT	REV
REVISE ON	CAD ONLY

REVISED EC NO. KOR1997-0165 DRWN: J.S.KANG CHK: B.K.CHOI APPR: C.W.LEE	QUALITY SYMBOLS MAJOR CRITICAL	GENERAL TOLERANCES: (UNLESS SPECIFIED)		SCALE 7:1	DESIGN UNITS <input checked="" type="checkbox"/> mm <input type="checkbox"/> INCH	THIRD ANGLE PROJECTION <input type="checkbox"/> mm <input type="checkbox"/> INCH <input checked="" type="checkbox"/> mm ONLY	DIMENSIONS:					
		4 PLACES ±0.     ±.	3 PLACES ±0.     ±.	2 PLACES ±0.2     ±.	1 PLACE ±0.3     ±.		DRAWN BY & DATE J.S.KANG 97/12/04	CHECKED BY & DATE	TITLE: ∅4.3 RING TERMINAL			
		ANGULAR: ± 1°				APPROVED BY & DATE	MOLEX INCORPORATED KOREA		CAD FILENAME s7500900.dgn	MATERIAL NO. SEE NOTES	DRAWING NO. SD 35750-0900	SHEET NO. 1 of 1
		DRAFT WHERE APPLICABLE MUST REMAIN WITHIN DIMENSIONS				THIS DRAWING CONTAINS INFORMATION THAT IS PROPRIETARY TO MOLEX INCORPORATED AND SHOULD NOT BE USED WITHOUT WRITTEN PERMISSION.						SIZE B