

**PLEASE CHECK WWW.MOLEX.COM FOR LATEST PART INFORMATION**

**Part Number:** [0495040206](#)  
**Status:** **Active**  
**Description:** PT Bulb Socket Single Housing Assembly, Type A, White

**Documents:**

[3D Model](#) [Product Specification PS-49504-001 \(PDF\)](#)  
[Drawing \(PDF\)](#) [RoHS Certificate of Compliance \(PDF\)](#)

**General**

Product Family	Other Sockets
Series	49504
Comments	A-Type
Component Type	Socket
Product Name	Bulb Socket

**Physical**

Circuits (Loaded)	2
Circuits (maximum)	2
Color - Resin	White
Durability (mating cycles max)	30
Entry Angle	Vertical (Top Entry)
Keying to Mating Part	None
Material - Metal	Phosphor Bronze
Material - Resin	Nylon
PCB Locator	No
PCB Retention	N/A
Packaging Type	Bag
Pitch - Mating Interface (in)	0.000 In
Pitch - Mating Interface (mm)	0.00 mm
Pitch - Term. Interface (in)	0.000 In
Pitch - Term. Interface (mm)	0.00 mm
Temperature Range - Operating	-40°C to +80°C
Termination Interface: Style	Through Hole

**Electrical**

Current - Maximum per Contact	1A
Voltage - Maximum	12V

**Material Info**

**Reference - Drawing Numbers**

Product Specification	PS-49504-001
Sales Drawing	SD-49504-001



**EU RoHS**

**ELV and RoHS  
Compliant**  
**REACH SVHC**  
 Not Reviewed  
**Halogen-Free  
Status**

**China RoHS**



**Need more information on product  
environmental compliance?**

Email [productcompliance@molex.com](mailto:productcompliance@molex.com)  
 For a multiple part number RoHS Certificate of  
 Compliance, [click here](#)

Please visit the [Contact Us](#) section for any  
 non-product compliance questions.

**Search Parts in this Series**

[49504Series](#)

**Mates With**

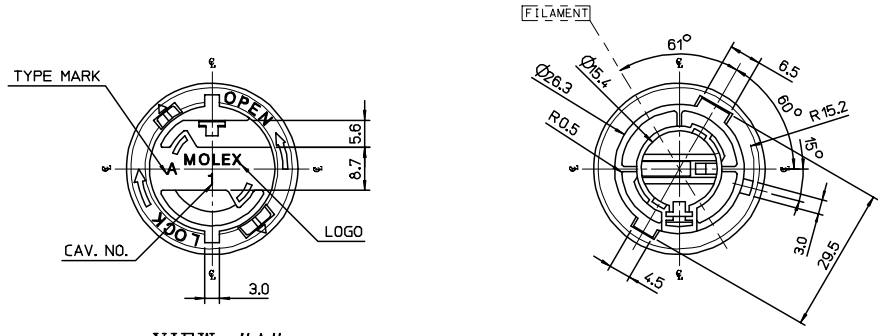
Lamp

**Use With**

[35438-8000](#) , [35439-8000](#)

NOTES:

NO.	DESCRIPTION	MATERIAL	ENG. NO.	REMARK
1	SINGLE SOCKET- A TYPE	POLYAMIDE(PA66)	49504-020*	LCL=35mm
2	POSITIVE TERMINAL	PHOSPHOR BRONZE	35438-8000	UNPLATED
3	EARTH TERMINAL	PHOSPHOR BRONZE	35439-8000	UNPLATED

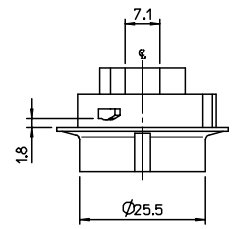
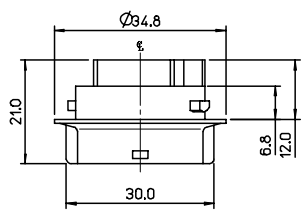


VIEW "A"

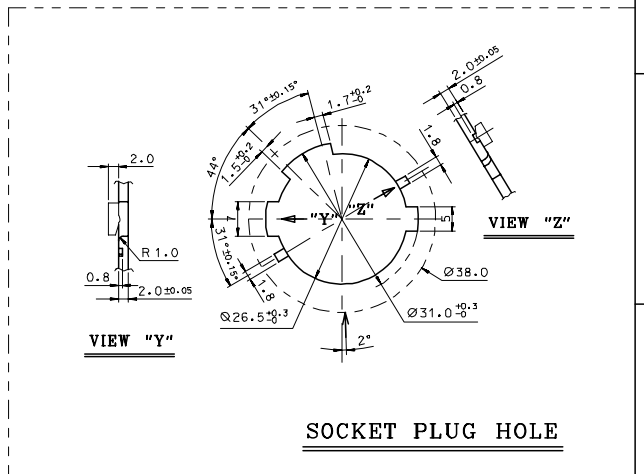
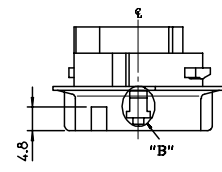
MXX SERIES NO. 49504 - \* \* \* \*  
 SOCKET COLOR:  
 0: NATURAL  
 1: BLACK  
 2: RED  
 3: YELLOW  
 4: BLUE  
 5: GRAY  
 6: WHITE  
 7: BROWN  
 ○: ON THE MARKET

CIRCUIT NO. \_\_\_\_\_

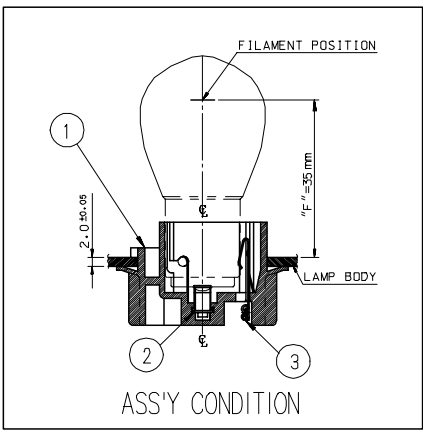
0: 'A' TYPE  
 1: 'B' TYPE  
 2: 'C' TYPE  
 3: 'EC' TYPE  
 4: 'D' TYPE



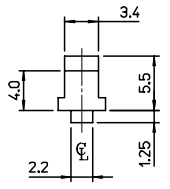
↑  
"A"



SOCKET PLUG HOLE



ASS'Y CONDITION



DETAIL "B"  
SCALE 2:1

CHANGED OF NOTES	QUALITY SYMBOLS	GENERAL TOLERANCES (UNLESS SPECIFIED)		DIMENSION STYLE		SCALE	DESIGN UNITS	THIRD ANGLE PROJECTION
		mm	INCH	MM ONLY				
EC NO: KOR2008-0095	▽=0	4 PLACES	± ---	± ---	DRAWN BY	1:1	METRIC	NON-SEALED BULB SOCKET SINGLE HOUSING-A TYPE (LCL=35MM)
2007/11/29	▽C=0	3 PLACES	± ---	± ---	DATE			
DRW:EEKIM		2 PLACES	± 0.2	± ---	SMK IM			MOLEX INCORPORATED
2007/11/30		1 PLACE	± 0.3	± ---	DATE			
CHKD:BCYOON		ANGULAR ± 1 °			APPROVED BY			SD-49504-001
2007/11/30		DRAFT WHERE APPLICABLE MUST REMAIN WITHIN DIMENSIONS			DATE			
APPR:YUNSIKKIM					CWLEE			SHEET NO. 1 OF 1
2007/11/30					2004/05/12			
					MATERIAL NO.			
					49504020*			
					SIZE			
					A3			
					THIS DRAWING CONTAINS INFORMATION THAT IS PROPRIETARY TO MOLEX INCORPORATED AND SHOULD NOT BE USED WITHOUT WRITTEN PERMISSION			