

PLEASE CHECK WWW.MOLEX.COM FOR LATEST PART INFORMATION

Part Number: [0878980368](#)
Status: **Active**
Overview: [kk](#)
Description: 2.54mm (.100") Pitch KK® Header, Surface Mount, Breakaway, Vertical, 3 Circuits, 2.54µm (100µ") Tin (Sn) Plating, Tape on Reel Packaging, with Cap, Lead-free

Documents:

[Drawing \(PDF\)](#) [RoHS Certificate of Compliance \(PDF\)](#)
[Product Specification PS-87920-019 \(PDF\)](#)

Agency Certification

UL E29179

General

Product Family PCB Headers
 Series [87898](#)
 Application Board-to-Board, Wire-to-Board
 Overview [kk](#)
 Product Name KK®

Physical

Breakaway Yes
 Circuits (Loaded) 3
 Circuits (maximum) 3
 Color - Resin Black
 First Mate / Last Break No
 Flammability 94V-0
 Glow-Wire Compliant No
 Guide to Mating Part No
 Keying to Mating Part None
 Lock to Mating Part None
 Material - Metal Copper Alloy
 Material - Plating Mating Tin
 Material - Plating Termination Tin
 Material - Resin Nylon
 Number of Rows 1
 Orientation Vertical
 PCB Locator No
 PCB Retention None
 Packaging Type Embossed Tape on Reel
 Pitch - Mating Interface (in) 0.100 In
 Pitch - Mating Interface (mm) 2.54 mm
 Pitch - Term. Interface (in) 0.100 In
 Pitch - Term. Interface (mm) 2.54 mm
 Polarized to Mating Part No
 Polarized to PCB No
 Robotic Placement Pick and Place Cap
 Shrouded No
 Stackable No
 Temperature Range - Operating -55°C to +105°C
 Termination Interface: Style Surface Mount

Electrical

Current - Maximum per Contact 3A
 Voltage - Maximum 250V

Solder Process Data

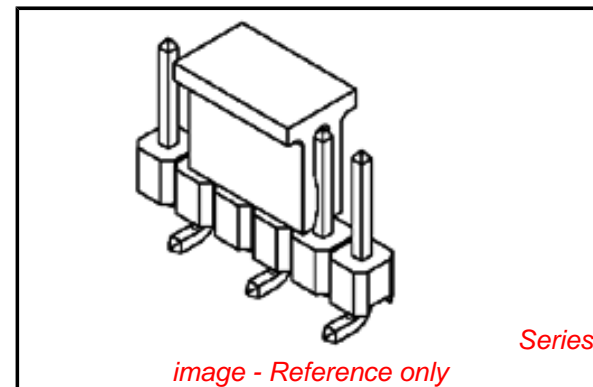


image - Reference only

EU RoHS

ELV and RoHS Compliant
REACH SVHC
 Not Reviewed
Halogen-Free Status

China RoHS



Not Reviewed

Need more information on product environmental compliance?

Email productcompliance@molex.com
 For a multiple part number RoHS Certificate of Compliance, [click here](#)

Please visit the [Contact Us](#) section for any non-product compliance questions.

Search Parts in this Series

[87898Series](#)

Mates With

KK® PCB Receptacles [4455](#). SL™ IDT Housings [70430](#) , [7720](#), [70400](#). C-Grid® PCB Receptacles [90147](#), [90148](#)

Duration at Max. Process Temperature (seconds)	10
Lead-free Process Capability	Reflow Capable (SMT only)
Max. Cycles at Max. Process Temperature	3
Process Temperature max. C	260

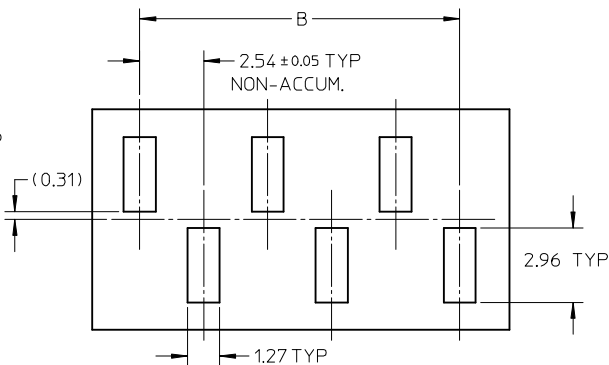
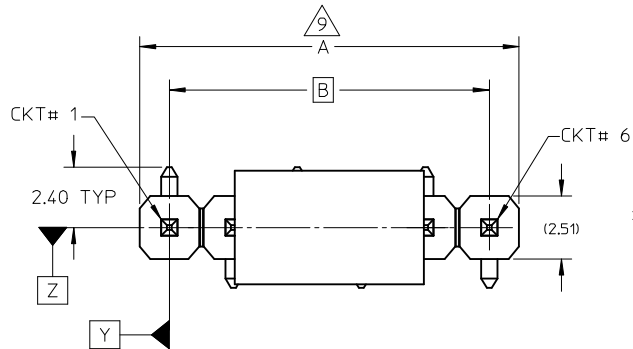
Material Info

Reference - Drawing Numbers

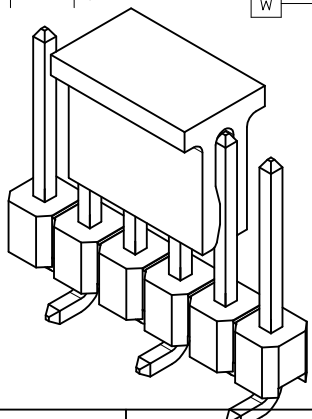
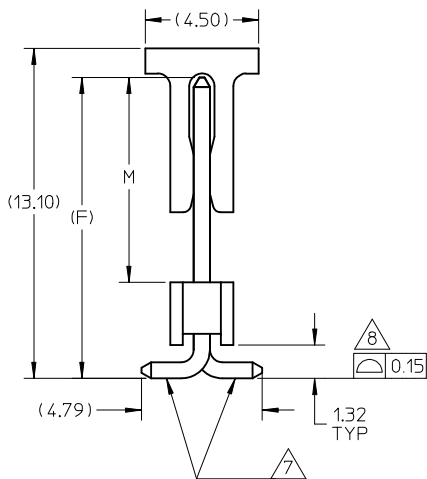
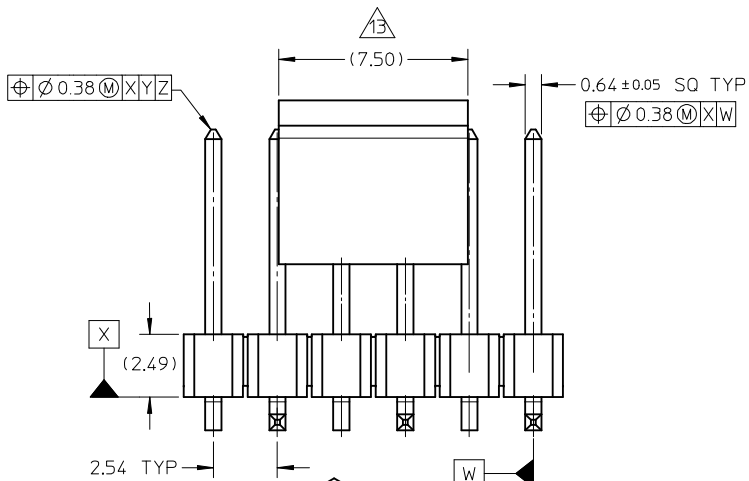
Packaging Specification	PK-89990-489
Product Specification	PS-87920-019
Sales Drawing	SD-87898-003

This document was generated on 05/25/2010

PLEASE CHECK WWW.MOLEX.COM FOR LATEST PART INFORMATION



RECOMMENDED PCB LAYOUT

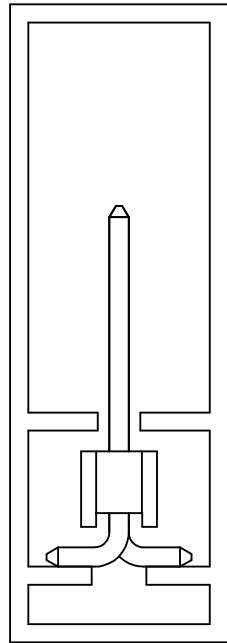


NOTES:

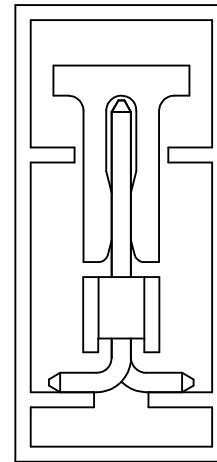
1. MATERIAL:
HSG: NYLON, GLASS-FILLED, UL94V-0, COLOR: BLACK
PIN: 0.64MM SQ, COPPER ALLOY
2. PLATING TYPE:
(1) GOLD FLASH OVER
1.25µm MIN. NICKEL OVERALL.
(2) GOLD FLASH ON CONTACT AND
2.50µm MIN. TIN ON SOLDER TAIL OVER
1.25µm MIN. NICKEL OVERALL.
(4) 0.38µm MIN. GOLD PLATE ON CONTACT AND
2.00µm MIN. TIN ON SOLDER TAIL OVER
1.25µm MIN. NICKEL OVERALL.
(5) 0.75µm MIN. GOLD PLATE ON CONTACT AND
2.00µm MIN. TIN ON SOLDER TAIL OVER
1.25µm MIN. NICKEL OVERALL.
(6) 2.50µm MIN. TIN OVERALL
1.25µm MIN. NICKEL OVERALL
3. PRODUCT SPECIFICATION: PS-87920-019
4. PACKAGING TYPE: SEE TABLE
5. PACKAGING SPEC: PK-89990-545
6. WAFER TO BE FLAT WITHIN 0.003 mm/mm
7. BEND DEPRESSION IS ACCEPTED SO LONG AS IT DOES NOT AFFECT THE OVERALL COPLANARITY OF TAIL
8. COPLANARITY IS TO BE MEASURED BY RESTING THE SOLDER TAIL ON A FLAT SURFACE
9. IRREGULAR CIRCUIT CUTOFF WITHIN BREAKAWAY SECTION IS PERMISSIBLE. CUTTING OR CHIPPING OF THE MAIN BODY IS NOT ACCEPTABLE
10. TUBE LENGTH AS PER STANDARD 560mm
11. RECOMMENDED PCB THICKNESS IS 1.60mm ± 0.10
12. THE ABOVE CKT 6 IS FOR ILLUSTRATION PURPOSE ONLY
13. CAP LOCATION IS CENTERED ALONG THE MATING ENDS AS SHOWN. TOP SURFACE OF CAP TO BE FLAT FOR THE PURPOSE OF PICK & PLACE BY VACUUM SUCTION NOZZLE.

REVISE T&R QTY EC NO: S2009-0327 DRWN:SKANG 2008/11/26 CHKD:ATSEE 2008/11/27 APPR:MLONG 2008/11/28	DESCRIPTION B2	QUALITY SYMBOLS	GENERAL TOLERANCES (UNLESS SPECIFIED)		DIMENSION STYLE	SCALE	DESIGN UNITS	THIRD ANGLE PROJECTION			
		▽=0 ∠=0	mm	INCH	MM ONLY	NTS	METRIC				
			4 PLACES ± --- ± ---	3 PLACES ± --- ± ---	2 PLACES ± 0.2 ± ---	1 PLACE ± --- ± ---	DRAWN BY	DATE	TITLE		
			ANGULAR ± 3 °		DRAFT WHERE APPLICABLE MUST REMAIN WITHIN DIMENSIONS		SKLIM01	2005/10/26	CUSTOM HEADER 2.54MM PITCH SINGLE ROW SINGLE WAFER SMT HEADER		
					CHECKED BY	DATE	MOLEX INCORPORATED				
					NAGESHKN	2005/10/30	DOCUMENT NO.				
					APPROVED BY	DATE	SHEET NO.				
					PTLIM	2005/11/07	SD-87898-003				
					MATERIAL NO.		1 OF 17				
					SIZE		THIS DRAWING CONTAINS INFORMATION THAT IS PROPRIETARY TO MOLEX INCORPORATED AND SHOULD NOT BE USED WITHOUT WRITTEN PERMISSION				
					A3						

**PART WITHOUT CAP
IN TUBE
ORIENTATION**



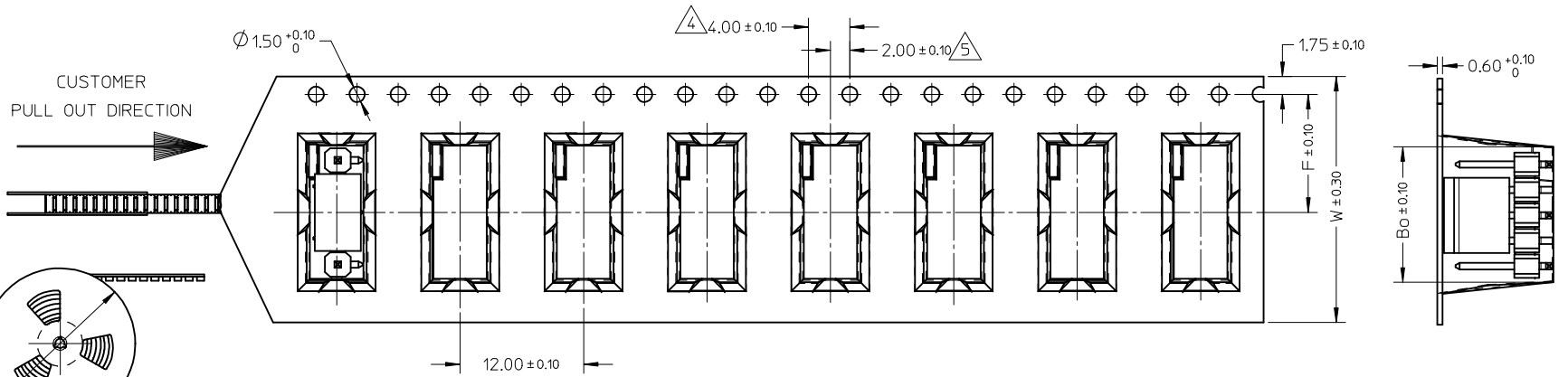
**PART WITH CAP
IN TUBE
ORIENTATION**



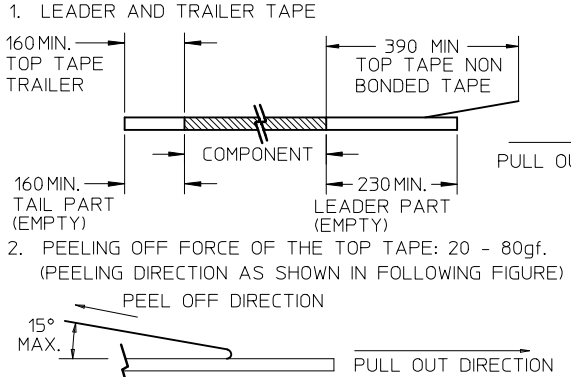
REVISE T&R QTY EC NO: S2009-0327 DRWN:SKANG CHKD:ATSEE APPR:MLONG	2008/11/26 2008/11/27 2008/11/28	DESCRIPTION REV	QUALITY SYMBOLS	GENERAL TOLERANCES (UNLESS SPECIFIED)		DIMENSION STYLE MM ONLY		SCALE NTS	DESIGN UNITS METRIC	THIRD ANGLE PROJECTION		
			▼=0 □=0	mm INCH 4 PLACES ± --- ± --- 3 PLACES ± --- ± --- 2 PLACES ± 0.2 ± --- 1 PLACE ± --- ± --- ANGULAR ± 3 °	DRAWN BY SKL IM01 CHECKED BY NAGESHKN APPROVED BY PTL IM	DATE 2005/10/26 DATE 2005/10/30 DATE 2005/11/07	TITLE CUSTOM HEADER 2.54MM PITCH SINGLE ROW SINGLE WAFER SMT HEADER					
			DRAFT WHERE APPLICABLE MUST REMAIN WITHIN DIMENSIONS		SEE TABLE		MATERIAL NO. SD-87898-003		DOCUMENT NO.		SHEET NO. 2 OF 17	
			SIZE A3		THIS DRAWING CONTAINS INFORMATION THAT IS PROPRIETARY TO MOLEX INCORPORATED AND SHOULD NOT BE USED WITHOUT WRITTEN PERMISSION							

10 9 8 7 6 5 4 3 2 1

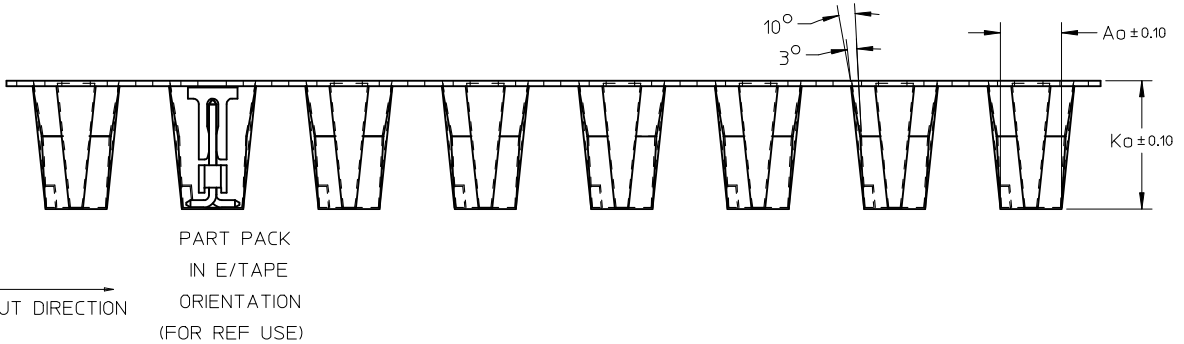
CKT	DIMENSION				
	Bo	Ao	Ko	F	W
3	8.02	5.20	13.60	11.50	24.00
5	13.10	5.20	13.60	11.50	24.00



NOTES:




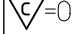

- LEADER AND TRAILER TAPE
- PEELING OFF FORCE OF THE TOP TAPE: 20 - 80gf. (PEELING DIRECTION AS SHOWN IN FOLLOWING FIGURE)
- MATERIAL: BLACK P.S CONDUCTIVE, BLACK
- MEASURED FROM CENTRELINE OF SPROCKET HOLE TO CENTRELINE OF SPOCKET
- CUMULATIVE TOLERANCE OF 10 SPROCKET HOLE IS ± 0.20 mm
- A0 AND B0 ARE MEASURE FROM ABOVE POCKET BASE 0.30mm
- TAPE AND REEL SPECIFICATION IS AS PER EIA-481.
- TAPE AND REEL QUANTITY : 320PCS/REEL
- THE TAPE IS TREATED FOR ANTI-STATIC.
- ALL RADIUS ARE 0.30MM UNLESS SPECIFY
- SURFACE RESISTIVITY 10^3 TO 10^8 OHMS.



REVISE T&R QTY EC NO: S2009-0327 DRWN:SKANG CHKD:ATSEE APPR:MLONG	QUALITY SYMBOLS ▽=0 ◻=0	GENERAL TOLERANCES (UNLESS SPECIFIED)		DIMENSION STYLE MM ONLY		SCALE NTS	DESIGN UNITS METRIC	THIRD ANGLE PROJECTION		
			mm	INCH	DRAWN BY	DATE	TITLE			
		4 PLACES	± ---	± ---	SKLIM01	2005/10/26	CUSTOM HEADER 2.54MM PITCH SINGLE ROW SINGLE WAFER SMT HEADER			
		3 PLACES	± ---	± ---	CHECKED BY	DATE				
2 PLACES	± 0.2	± ---	NAGESHKN	2005/10/30	MOLEX INCORPORATED					
1 PLACE	± ---	± ---	APPROVED BY	DATE						
DRAFT WHERE APPLICABLE MUST REMAIN WITHIN DIMENSIONS		ANGULAR $\pm 3^\circ$		MATERIAL NO. SEE TABLE		DOCUMENT NO. SD-87898-003		SHEET NO. 3 OF 17		
REV B2		SIZE A3		THIS DRAWING CONTAINS INFORMATION THAT IS PROPRIETARY TO MOLEX INCORPORATED AND SHOULD NOT BE USED WITHOUT WRITTEN PERMISSION						

9 8 7 6 5 4 3 2 1

PACKAGING OPTION PART NO.						CKT SIZE	VOID POSITION	PLATING TYPE	DIMENSION			
TRAY WITHOUT CAP	TRAY WITH CAP	TUBE WITHOUT CAP	TUBE WITH CAP	TAPE & REEL WITHOUT CAP	TAPE & REEL WITH CAP				A	B	F	M
87898-0361	-----	-----	-----	-----	-----	3	----	1	7.62	5.08	11.94	8.13
87898-0362	-----	-----	-----	-----	-----	3	----	2	7.62	5.08	11.94	8.13
87898-0364	-----	-----	-----	-----	-----	3	----	4	7.62	5.08	11.94	8.13
87898-0365	-----	-----	-----	-----	-----	3	----	5	7.62	5.08	11.94	8.13
87898-0366	-----	-----	87898-0367	-----	87898-0368	3	----	6	7.62	5.08	11.94	8.13


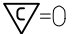
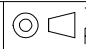
REVISE T&R QTY EC NO: S2009-0327 DRWN:SKANG CHKD:ATSEE APPR:MLONG	2008/11/26 2008/11/27 2008/11/28	DESCRIPTION REV	QUALITY SYMBOLS	GENERAL TOLERANCES (UNLESS SPECIFIED)	DIMENSION STYLE	SCALE	DESIGN UNITS	THIRD ANGLE PROJECTION			
			 = 0  = 0.2	mm INCH 4 PLACES ± --- ± --- 3 PLACES ± --- ± --- 2 PLACES ± 0.2 ± --- 1 PLACE ± --- ± --- ANGULAR ± 3 °	MM ONLY	NTS	METRIC	DRAWN BY: SKLIM01 DATE: 2005/10/26 CHECKED BY: NAGESHKN DATE: 2005/10/30 APPROVED BY: PTLIM DATE: 2005/11/07		TITLE CUSTOM HEADER 2.54MM PITCH SINGLE ROW SINGLE WAFER SMT HEADER	
				DRAFT WHERE APPLICABLE MUST REMAIN WITHIN DIMENSIONS	SEE TABLE	 MOLEX INCORPORATED	MATERIAL NO. SD-87898-003	SHEET NO. 4 OF 17			
			B2		SIZE	THIS DRAWING CONTAINS INFORMATION THAT IS PROPRIETARY TO MOLEX INCORPORATED AND SHOULD NOT BE USED WITHOUT WRITTEN PERMISSION					

PACKAGING OPTION PART NO.


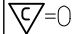
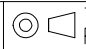
F	PACKAGING OPTION PART NO.						CKT SIZE	VOID POSITION	PLATING TYPE	DIMENSION			
	TRY WITHOUT CAP	TRY WITH CAP	TUBE WITHOUT CAP	TUBE WITH CAP	TAPE & REEL WITHOUT CAP	TAPE & REEL WITH CAP				A	B	F	M
	-----	-----	87898-0461	-----	-----	-----	4	----	1	10.16	7.62	11.94	8.13
	-----	-----	87898-0462	-----	-----	-----	4	----	2	10.16	7.62	11.94	8.13
	-----	-----	87898-0464	-----	-----	-----	4	----	4	10.16	7.62	11.94	8.13
	-----	-----	87898-0465	-----	-----	-----	4	----	5	10.16	7.62	11.94	8.13
	-----	-----	87898-0466	-----	-----	-----	4	----	6	10.16	7.62	11.94	8.13
	-----	-----	87898-0561	-----	-----	-----	5	----	1	12.70	10.16	11.94	8.13
	-----	-----	87898-0562	-----	-----	-----	5	----	2	12.70	10.16	11.94	8.13
	-----	-----	87898-0564	-----	-----	-----	5	----	4	12.70	10.16	11.94	8.13
	-----	-----	87898-0565	-----	-----	-----	5	----	5	12.70	10.16	11.94	8.13
	-----	-----	87898-0566	87898-0567	-----	87898-0568	5	----	6	12.70	10.16	11.94	8.13
	-----	-----	87898-0661	-----	-----	-----	6	----	1	15.24	12.70	11.94	8.13
	-----	-----	87898-0662	-----	-----	-----	6	----	2	15.24	12.70	11.94	8.13
	-----	-----	87898-0664	-----	-----	-----	6	----	4	15.24	12.70	11.94	8.13
	-----	-----	87898-0665	-----	-----	-----	6	----	5	15.24	12.70	11.94	8.13
	-----	-----	87898-0666	-----	-----	-----	6	----	6	15.24	12.70	11.94	8.13

REVISE T&R QTY EC NO: S2009-0327 DRWN:SKANG 2008/11/26 CHYKD:ATSEE 2008/11/27 APPR:MLONG 2008/11/28	QUALITY SYMBOLS	GENERAL TOLERANCES (UNLESS SPECIFIED)		DIMENSION STYLE MM ONLY		SCALE NTS	DESIGN UNITS METRIC	THIRD ANGLE PROJECTION	
	▽=0	mm	INCH	DRAWN BY	DATE	TITLE			
	∇=0	4 PLACES ± --- ± ---	SKLIM01	2005/10/26	CUSTOM HEADER				
		3 PLACES ± --- ± ---	CHECKED BY	DATE	2.54MM PITCH SINGLE ROW				
		2 PLACES ± 0.2 ± ---	NAGESHKN	2005/10/30	SINGLE WAFER SMT HEADER				
	1 PLACE ± --- ± ---	APPROVED BY	DATE	MOLEX INCORPORATED					
	ANGULAR ± 3 °	PTLIM	2005/11/07	MATERIAL NO.		DOCUMENT NO.		SHEET NO.	
		DRAFT WHERE APPLICABLE MUST REMAIN WITHIN DIMENSIONS		SEE TABLE		SD-87898-003		5 OF 17	
		SIZE A3	THIS DRAWING CONTAINS INFORMATION THAT IS PROPRIETARY TO MOLEX INCORPORATED AND SHOULD NOT BE USED WITHOUT WRITTEN PERMISSION						

PACKAGING OPTION PART NO.						CKT SIZE	VOID POSITION	PLATING TYPE	DIMENSION			
TRY WITHOUT CAP	TRY WITH CAP	TUBE WITHOUT CAP	TUBE WITH CAP	TAPE & REEL WITHOUT CAP	TAPE & REEL WITH CAP				A	B	F	M
-----	-----	87898-07261	-----	-----	-----	7	-----	1	17.78	15.24	11.94	8.13
-----	-----	87898-0762	-----	-----	-----	7	-----	2	17.78	15.24	11.94	8.13
-----	-----	87898-0764	-----	-----	-----	7	-----	4	17.78	15.24	11.94	8.13
-----	-----	87898-0765	-----	-----	-----	7	-----	5	17.78	15.24	11.94	8.13
-----	-----	87898-0766	-----	-----	-----	7	-----	6	17.78	15.24	11.94	8.13
-----	-----	87898-0861	-----	-----	-----	8	-----	1	20.32	17.78	11.94	8.13
-----	-----	87898-0862	-----	-----	-----	8	-----	2	20.32	17.78	11.94	8.13
-----	-----	87898-0864	-----	-----	-----	8	-----	4	20.32	17.78	11.94	8.13
-----	-----	87898-0865	-----	-----	-----	8	-----	5	20.32	17.78	11.94	8.13
-----	-----	87898-0866	-----	-----	-----	8	-----	6	20.32	17.78	11.94	8.13
-----	-----	87898-0961	-----	-----	-----	9	-----	1	22.86	20.32	11.94	8.13
-----	-----	87898-0962	-----	-----	-----	9	-----	2	22.86	20.32	11.94	8.13
-----	-----	87898-0964	-----	-----	-----	9	-----	4	22.86	20.32	11.94	8.13
-----	-----	87898-0965	-----	-----	-----	9	-----	5	22.86	20.32	11.94	8.13
-----	-----	87898-0966	-----	-----	-----	9	-----	6	22.86	20.32	11.94	8.13

REVISE T&R QTY EC NO: S2009-0327 DRWN:SKANG 2008/11/26 CHKD:ATSEE 2008/11/27 APPR:MLONG 2008/11/28	DESCRIPTION REV	QUALITY SYMBOLS  = 0  = 0	GENERAL TOLERANCES (UNLESS SPECIFIED) <table border="1"> <tr><th colspan="2">mm</th><th>INCH</th></tr> <tr><td>4 PLACES</td><td>± ---</td><td>± ---</td></tr> <tr><td>3 PLACES</td><td>± ---</td><td>± ---</td></tr> <tr><td>2 PLACES</td><td>± 0.2</td><td>± ---</td></tr> <tr><td>1 PLACE</td><td>± ---</td><td>± ---</td></tr> </table>	mm		INCH	4 PLACES	± ---	± ---	3 PLACES	± ---	± ---	2 PLACES	± 0.2	± ---	1 PLACE	± ---	± ---	DIMENSION STYLE MM ONLY	SCALE NTS	DESIGN UNITS METRIC	 THIRD ANGLE PROJECTION
		mm		INCH																		
		4 PLACES	± ---	± ---																		
		3 PLACES	± ---	± ---																		
2 PLACES	± 0.2	± ---																				
1 PLACE	± ---	± ---																				
DRAWN BY: SKLIM01 DATE: 2005/10/26 CHECKED BY: NAGESHKN DATE: 2005/10/30 APPROVED BY: PTLIM DATE: 2005/11/07		TITLE CUSTOM HEADER 2.54MM PITCH SINGLE ROW SINGLE WAFER SMT HEADER																				
MATERIAL NO. SEE TABLE		DOCUMENT NO. SD-87898-003																				
DRAFT WHERE APPLICABLE MUST REMAIN WITHIN DIMENSIONS		SHEET NO. 6 OF 17																				

PACKAGING OPTION PART NO.						CKT SIZE	VOID POSITION	PLATING TYPE	DIMENSION			
TRY WITHOUT CAP	TRY WITH CAP	TUBE WITHOUT CAP	TUBE WITH CAP	TAPE & REEL WITHOUT CAP	TAPE & REEL WITH CAP				A	B	F	M
-----	-----	87898-1061	-----	-----	-----	10	----	1	25.40	22.86	11.94	8.13
-----	-----	87898-1062	-----	-----	-----	10	----	2	25.40	22.86	11.94	8.13
-----	-----	87898-1064	-----	-----	-----	10	----	4	25.40	22.86	11.94	8.13
-----	-----	87898-1065	-----	-----	-----	10	----	5	25.40	22.86	11.94	8.13
-----	-----	87898-1066	-----	-----	-----	10	----	6	25.40	22.86	11.94	8.13
-----	-----	87898-1161	-----	-----	-----	11	----	1	27.94	25.40	11.94	8.13
-----	-----	87898-1162	-----	-----	-----	11	----	2	27.94	25.40	11.94	8.13
-----	-----	87898-1164	-----	-----	-----	11	----	4	27.94	25.40	11.94	8.13
-----	-----	87898-1165	-----	-----	-----	11	----	5	27.94	25.40	11.94	8.13
-----	-----	87898-1166	-----	-----	-----	11	----	6	27.94	25.40	11.94	8.13
-----	-----	87898-1261	-----	-----	-----	12	----	1	30.48	27.94	11.94	8.13
-----	-----	87898-1262	-----	-----	-----	12	----	2	30.48	27.94	11.94	8.13
-----	-----	87898-1264	-----	-----	-----	12	----	4	30.48	27.94	11.94	8.13
-----	-----	87898-1265	-----	-----	-----	12	----	5	30.48	27.94	11.94	8.13
-----	-----	87898-1266	-----	-----	-----	12	----	6	30.48	27.94	11.94	8.13

REVISE T&R QTY EC NO: S2009-0327 DRWN:SKANG 2008/11/26 CHKD:ATSEE 2008/11/27 APPR:MLONG 2008/11/28	QUALITY SYMBOLS  = 0  = 0	GENERAL TOLERANCES (UNLESS SPECIFIED) <table border="1"> <tr><th></th><th>mm</th><th>INCH</th></tr> <tr><td>4 PLACES</td><td>± ---</td><td>± ---</td></tr> <tr><td>3 PLACES</td><td>± ---</td><td>± ---</td></tr> <tr><td>2 PLACES</td><td>± 0.2</td><td>± ---</td></tr> <tr><td>1 PLACE</td><td>± ---</td><td>± ---</td></tr> </table>		mm	INCH	4 PLACES	± ---	± ---	3 PLACES	± ---	± ---	2 PLACES	± 0.2	± ---	1 PLACE	± ---	± ---	DIMENSION STYLE MM ONLY	SCALE NTS	DESIGN UNITS METRIC	 THIRD ANGLE PROJECTION
		mm	INCH																		
	4 PLACES	± ---	± ---																		
	3 PLACES	± ---	± ---																		
	2 PLACES	± 0.2	± ---																		
1 PLACE	± ---	± ---																			
DESCRIPTION DRAFT WHERE APPLICABLE MUST REMAIN WITHIN DIMENSIONS	<table border="1"> <tr><th>DRAWN BY</th><th>DATE</th></tr> <tr><td>SKLIM01</td><td>2005/10/26</td></tr> <tr><th>CHECKED BY</th><th>DATE</th></tr> <tr><td>NAGESHKN</td><td>2005/10/30</td></tr> <tr><th>APPROVED BY</th><th>DATE</th></tr> <tr><td>PTLIM</td><td>2005/11/07</td></tr> </table>	DRAWN BY	DATE	SKLIM01	2005/10/26	CHECKED BY	DATE	NAGESHKN	2005/10/30	APPROVED BY	DATE	PTLIM	2005/11/07	TITLE CUSTOM HEADER 2.54MM PITCH SINGLE ROW SINGLE WAFER SMT HEADER	MATERIAL NO. SEE TABLE	DOCUMENT NO. SD-87898-003	SHEET NO. 7 OF 17				
DRAWN BY	DATE																				
SKLIM01	2005/10/26																				
CHECKED BY	DATE																				
NAGESHKN	2005/10/30																				
APPROVED BY	DATE																				
PTLIM	2005/11/07																				
SIZE A3	THIS DRAWING CONTAINS INFORMATION THAT IS PROPRIETARY TO MOLEX INCORPORATED AND SHOULD NOT BE USED WITHOUT WRITTEN PERMISSION																				

PACKAGING OPTION PART NO.

TRY WITHOUT CAP	TRY WITH CAP	TUBE WITHOUT CAP	TUBE WITH CAP	TAPE & REEL WITHOUT CAP	TAPE & REEL WITH CAP	CKT SIZE	VOID POSITION	PLATING TYPE	DIMENSION			
									A	B	F	M
-----	-----	87898-1361	-----	-----	-----	13	----	1	33.02	30.48	11.94	8.13
-----	-----	87898-1362	-----	-----	-----	13	----	2	33.02	30.48	11.94	8.13
-----	-----	87898-1364	-----	-----	-----	13	----	4	33.02	30.48	11.94	8.13
-----	-----	87898-1365	-----	-----	-----	13	----	5	33.02	30.48	11.94	8.13
-----	-----	87898-1366	-----	-----	-----	13	----	6	33.02	30.48	11.94	8.13
-----	-----											
-----	-----	87898-1461	-----	-----	-----	14	----	1	35.56	33.02	11.94	8.13
-----	-----	87898-1462	-----	-----	-----	14	----	2	35.56	33.02	11.94	8.13
-----	-----	87898-1464	-----	-----	-----	14	----	4	35.56	33.02	11.94	8.13
-----	-----	87898-1465	-----	-----	-----	14	----	5	35.56	33.02	11.94	8.13
-----	-----	87898-1466	-----	-----	-----	14	----	6	35.56	33.02	11.94	8.13
-----	-----											
-----	-----	87898-1561	-----	-----	-----	15	----	1	38.10	35.56	11.94	8.13
-----	-----	87898-1562	-----	-----	-----	15	----	2	38.10	35.56	11.94	8.13
-----	-----	87898-1564	-----	-----	-----	15	----	4	38.10	35.56	11.94	8.13
-----	-----	87898-1565	-----	-----	-----	15	----	5	38.10	35.56	11.94	8.13
-----	-----	87898-1566	-----	-----	-----	15	----	6	38.10	35.56	11.94	8.13

REVISE T&R QTY EC NO: S2009-0327 DRWN:SKANG 2008/11/26 CHKD:ATSEE 2008/11/27 APPR:MLONG 2008/11/28	QUALITY SYMBOLS =0 =0	GENERAL TOLERANCES (UNLESS SPECIFIED) <table border="1"> <tr><th></th><th>mm</th><th>INCH</th></tr> <tr><td>4 PLACES</td><td>± ---</td><td>± ---</td></tr> <tr><td>3 PLACES</td><td>± ---</td><td>± ---</td></tr> <tr><td>2 PLACES</td><td>± 0.2</td><td>± ---</td></tr> <tr><td>1 PLACE</td><td>± ---</td><td>± ---</td></tr> </table>		mm	INCH	4 PLACES	± ---	± ---	3 PLACES	± ---	± ---	2 PLACES	± 0.2	± ---	1 PLACE	± ---	± ---	DIMENSION STYLE MM ONLY	SCALE NTS	DESIGN UNITS METRIC	THIRD ANGLE PROJECTION
		mm	INCH																		
	4 PLACES	± ---	± ---																		
	3 PLACES	± ---	± ---																		
2 PLACES	± 0.2	± ---																			
1 PLACE	± ---	± ---																			
DESCRIPTION DRAFT WHERE APPLICABLE MUST REMAIN WITHIN DIMENSIONS	DRAWN BY SKLIM01	DATE 2005/10/26	TITLE CUSTOM HEADER 2.54MM PITCH SINGLE ROW SINGLE WAFER SMT HEADER																		
MATERIAL NO. SEE TABLE	CHECKED BY NAGESHKN	DATE 2005/10/30	APPROVED BY PTLIM																		
SIZE A3	DATE 2005/11/07	DOCUMENT NO. SD-87898-003	SHEET NO. 8 OF 17																		

PACKAGING OPTION PART NO.

TRY WITHOUT CAP	TRY WITH CAP	TUBE WITHOUT CAP	TUBE WITH CAP	TAPE & REEL WITHOUT CAP	TAPE & REEL WITH CAP	CKT SIZE	VOID POSITION	PLATING TYPE	DIMENSION			
									A	B	F	M
-----	-----	87898-1661	-----	-----	-----	16	-----	1	40.64	38.10	11.94	8.13
-----	-----	87898-1662	-----	-----	-----	16	-----	2	40.64	38.10	11.94	8.13
-----	-----	87898-1664	-----	-----	-----	16	-----	4	40.64	38.10	11.94	8.13
-----	-----	87898-1665	-----	-----	-----	16	-----	5	40.64	38.10	11.94	8.13
-----	-----	87898-1666	-----	-----	-----	16	-----	6	40.64	38.10	11.94	8.13
-----	-----	87898-1761	-----	-----	-----	17	-----	1	43.18	40.64	11.94	8.13
-----	-----	87898-1762	-----	-----	-----	17	-----	2	43.18	40.64	11.94	8.13
-----	-----	87898-1764	-----	-----	-----	17	-----	4	43.18	40.64	11.94	8.13
-----	-----	87898-1765	-----	-----	-----	17	-----	5	43.18	40.64	11.94	8.13
-----	-----	87898-1766	-----	-----	-----	17	-----	6	43.18	40.64	11.94	8.13
-----	-----	87898-1861	-----	-----	-----	18	-----	1	45.72	43.18	11.94	8.13
-----	-----	87898-1862	-----	-----	-----	18	-----	2	45.72	43.18	11.94	8.13
-----	-----	87898-1864	-----	-----	-----	18	-----	4	45.72	43.18	11.94	8.13
-----	-----	87898-1865	-----	-----	-----	18	-----	5	45.72	43.18	11.94	8.13
-----	-----	87898-1866	-----	-----	-----	18	-----	6	45.72	43.18	11.94	8.13


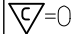
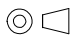
REVISE T&R QTY EC NO: S2009-0327 DRWN:SKANG 2008/11/26 CHYKD:ATSEE 2008/11/27 APPR:MLONG 2008/11/28	QUALITY SYMBOLS ▽=0 ◻=0	GENERAL TOLERANCES (UNLESS SPECIFIED)		DIMENSION STYLE MM ONLY		SCALE NTS	DESIGN UNITS METRIC	THIRD ANGLE PROJECTION		
				DRAWN BY SKLIM01	DATE 2005/10/26	TITLE CUSTOM HEADER 2.54MM PITCH SINGLE ROW SINGLE WAFER SMT HEADER				
				CHECKED BY NAGESHKN	DATE 2005/10/30	MOLEX INCORPORATED				
				APPROVED BY PTLIM	DATE 2005/11/07	MATERIAL NO. SEE TABLE	DOCUMENT NO. SD-87898-003	SHEET NO. 9 OF 17		
DRAFT WHERE APPLICABLE MUST REMAIN WITHIN DIMENSIONS		THIS DRAWING CONTAINS INFORMATION THAT IS PROPRIETARY TO MOLEX INCORPORATED AND SHOULD NOT BE USED WITHOUT WRITTEN PERMISSION								

PACKAGING OPTION PART NO.

TRY WITHOUT CAP	TRY WITH CAP	TUBE WITHOUT CAP	TUBE WITH CAP	TAPE & REEL WITHOUT CAP	TAPE & REEL WITH CAP	CKT SIZE	VOID POSITION	PLATING TYPE	DIMENSION			
									A	B	F	M
-----	-----	87898-1961	-----	-----	-----	19	----	1	48.26	45.72	11.94	8.13
-----	-----	87898-1962	-----	-----	-----	19	----	2	48.26	45.72	11.94	8.13
-----	-----	87898-1964	-----	-----	-----	19	----	4	48.26	45.72	11.94	8.13
-----	-----	87898-1965	-----	-----	-----	19	----	5	48.26	45.72	11.94	8.13
-----	-----	87898-1966	-----	-----	-----	19	----	6	48.26	45.72	11.94	8.13
-----	-----	87898-2061	-----	-----	-----	20	----	1	50.80	48.26	11.94	8.13
-----	-----	87898-2062	-----	-----	-----	20	----	2	50.80	48.26	11.94	8.13
-----	-----	87898-2064	-----	-----	-----	20	----	4	50.80	48.26	11.94	8.13
-----	-----	87898-2065	-----	-----	-----	20	----	5	50.80	48.26	11.94	8.13
-----	-----	87898-2066	-----	-----	-----	20	----	6	50.80	48.26	11.94	8.13
-----	-----	87898-2161	-----	-----	-----	21	----	1	53.34	50.80	11.94	8.13
-----	-----	87898-2162	-----	-----	-----	21	----	2	53.34	50.80	11.94	8.13
-----	-----	87898-2164	-----	-----	-----	21	----	4	53.34	50.80	11.94	8.13
-----	-----	87898-2165	-----	-----	-----	21	----	5	53.34	50.80	11.94	8.13
-----	-----	87898-2166	-----	-----	-----	21	----	6	53.34	50.80	11.94	8.13

REVISE T&R QTY EC NO: S2009-0327 DRWN:SKANG 2008/11/26 CHKD:ATSEE 2008/11/27 APPR:MLONG 2008/11/28	QUALITY SYMBOLS	GENERAL TOLERANCES (UNLESS SPECIFIED)	DIMENSION STYLE	SCALE	DESIGN UNITS	THIRD ANGLE PROJECTION
	▽=0 □=0	mm INCH	MM ONLY	NTS	METRIC	
		4 PLACES ± --- ± ---	DRAWN BY DATE	TITLE		
		3 PLACES ± --- ± ---	SKL IM01 2005/10/26	CUSTOM HEADER		
		2 PLACES ± 0.2 ± ---	CHECKED BY DATE	2.54MM PITCH SINGLE ROW		
	1 PLACE ± --- ± ---	NAGESHKN 2005/10/30	SINGLE WAFER SMT HEADER			
	ANGULAR ± 3 °	APPROVED BY DATE	MOLEX INCORPORATED			
		PTL IM 2005/11/07	MATERIAL NO. DOCUMENT NO.			
			SEE TABLE SD-87898-003			
			SHEET NO.			
			10 OF 17			
			THIS DRAWING CONTAINS INFORMATION THAT IS PROPRIETARY TO MOLEX INCORPORATED AND SHOULD NOT BE USED WITHOUT WRITTEN PERMISSION			

PACKAGING OPTION PART NO.						CKT SIZE	VOID POSITION	PLATING TYPE	DIMENSION			
TRY WITHOUT CAP	TRY WITH CAP	TUBE WITHOUT CAP	TUBE WITH CAP	TAPE & REEL WITHOUT CAP	TAPE & REEL WITH CAP				A	B	F	M
F	-----	-----	87898-2261	-----	-----	22	----	1	55.88	53.34	11.94	8.13
	-----	-----	87898-2262	-----	-----	22	----	2	55.88	53.34	11.94	8.13
	-----	-----	87898-2264	-----	-----	22	----	4	55.88	53.34	11.94	8.13
	-----	-----	87898-2265	-----	-----	22	----	5	55.88	53.34	11.94	8.13
	-----	-----	87898-2266	-----	-----	22	----	6	55.88	53.34	11.94	8.13
E												
	-----	-----	87898-2361	-----	-----	23	----	1	58.42	55.88	11.94	8.13
	-----	-----	87898-2362	-----	-----	23	----	2	58.42	55.88	11.94	8.13
	-----	-----	87898-2364	-----	-----	23	----	4	58.42	55.88	11.94	8.13
	-----	-----	87898-2365	-----	-----	23	----	5	58.42	55.88	11.94	8.13
	-----	-----	87898-2366	-----	-----	23	----	6	58.42	55.88	11.94	8.13
D												
	-----	-----	87898-2461	-----	-----	24	----	1	60.96	58.42	11.94	8.13
	-----	-----	87898-2462	-----	-----	24	----	2	60.96	58.42	11.94	8.13
	-----	-----	87898-2464	-----	-----	24	----	4	60.96	58.42	11.94	8.13
	-----	-----	87898-2465	-----	-----	24	----	5	60.96	58.42	11.94	8.13
	-----	-----	87898-2466	-----	-----	24	----	6	60.96	58.42	11.94	8.13
C												

REVISE T&R QTY EC NO: S2009-0327 2008/11/26 DRWN:SKANG 2008/11/27 CHKD:ATSEE 2008/11/27 APPR:MLONG 2008/11/28	QUALITY SYMBOLS  = 0  = 0	GENERAL TOLERANCES (UNLESS SPECIFIED)		DIMENSION STYLE MM ONLY		SCALE NTS	DESIGN UNITS METRIC	 THIRD ANGLE PROJECTION			
		4 PLACES ± --- ± --- 3 PLACES ± --- ± --- 2 PLACES ± 0.2 ± --- 1 PLACE ± --- ± ---	mm INCH ± --- ± --- ± 0.2 ± --- ± --- ± ---	DRAWN BY SKLIM01	DATE 2005/10/26	TITLE CUSTOM HEADER 2.54MM PITCH SINGLE ROW SINGLE WAFER SMT HEADER					
		ANGULAR ± 3 °		CHECKED BY NAGESHKN	DATE 2005/10/30	MOLEX INCORPORATED					
		DRAFT WHERE APPLICABLE MUST REMAIN WITHIN DIMENSIONS		APPROVED BY PTLIM	DATE 2005/11/07	MATERIAL NO. SEE TABLE	DOCUMENT NO. SD-87898-003	SHEET NO. 11 OF 17			

PACKAGING OPTION PART NO.

TRY WITHOUT CAP	TRY WITH CAP	TUBE WITHOUT CAP	TUBE WITH CAP	TAPE & REEL WITHOUT CAP	TAPE & REEL WITH CAP	CKT SIZE	VOID POSITION	PLATING TYPE	DIMENSION			
									A	B	F	M
-----	-----	87898-2561	-----	-----	-----	25	----	1	63.50	60.96	11.94	8.13
-----	-----	87898-2562	-----	-----	-----	25	----	2	63.50	60.96	11.94	8.13
-----	-----	87898-2564	-----	-----	-----	25	----	4	63.50	60.96	11.94	8.13
-----	-----	87898-2565	-----	-----	-----	25	----	5	63.50	60.96	11.94	8.13
-----	-----	87898-2566	-----	-----	-----	25	----	6	63.50	60.96	11.94	8.13
-----	-----	87898-2661	-----	-----	-----	26	----	1	66.04	63.50	11.94	8.13
-----	-----	87898-2662	-----	-----	-----	26	----	2	66.04	63.50	11.94	8.13
-----	-----	87898-2664	-----	-----	-----	26	----	4	66.04	63.50	11.94	8.13
-----	-----	87898-2665	-----	-----	-----	26	----	5	66.04	63.50	11.94	8.13
-----	-----	87898-2666	-----	-----	-----	26	----	6	66.04	63.50	11.94	8.13
-----	-----	87898-2761	-----	-----	-----	27	----	1	68.58	66.04	11.94	8.13
-----	-----	87898-2762	-----	-----	-----	27	----	2	68.58	66.04	11.94	8.13
-----	-----	87898-2764	-----	-----	-----	27	----	4	68.58	66.04	11.94	8.13
-----	-----	87898-2765	-----	-----	-----	27	----	5	68.58	66.04	11.94	8.13
-----	-----	87898-2766	-----	-----	-----	27	----	6	68.58	66.04	11.94	8.13

REVISE T&R QTY EC NO: S2009-0327 DRWN:SKANG CHKD:ATSEE APPR:MLONG 2008/11/26 2008/11/27 2008/11/28	QUALITY SYMBOLS	GENERAL TOLERANCES (UNLESS SPECIFIED)	DIMENSION STYLE	SCALE	DESIGN UNITS	THIRD ANGLE PROJECTION
	▽=0 □=0	mm INCH 4 PLACES ± --- ± --- 3 PLACES ± --- ± --- 2 PLACES ± 0.2 ± --- 1 PLACE ± --- ± --- ANGULAR ± 3 °	MM ONLY	NTS	METRIC	☉ □ THIRD ANGLE PROJECTION
	DESCRIPTION	DRAFT WHERE APPLICABLE MUST REMAIN WITHIN DIMENSIONS	DRAWN BY	DATE	TITLE	
	REV		SKLIM01	2005/10/26	CUSTOM HEADER	
	B2		2005/10/30	2005/11/07	2.54MM PITCH SINGLE ROW SINGLE WAFER SMT HEADER	
				PTLIM	2005/11/07	MOLEX INCORPORATED
				MATERIAL NO.		DOCUMENT NO.
				SEE TABLE		SD-87898-003
				SIZE		SHEET NO.
				A3		12 OF 17
				THIS DRAWING CONTAINS INFORMATION THAT IS PROPRIETARY TO MOLEX INCORPORATED AND SHOULD NOT BE USED WITHOUT WRITTEN PERMISSION		

PACKAGING OPTION PART NO.						CKT SIZE	VOID POSITION	PLATING TYPE	DIMENSION			
TRY WITHOUT CAP	TRY WITH CAP	TUBE WITHOUT CAP	TUBE WITH CAP	TAPE & REEL WITHOUT CAP	TAPE & REEL WITH CAP				A	B	F	M
-----	-----	87898-2861	-----	-----	-----	28	----	1	71.12	68.58	11.94	8.13
-----	-----	87898-2862	-----	-----	-----	28	----	2	71.12	68.58	11.94	8.13
-----	-----	87898-2864	-----	-----	-----	28	----	4	71.12	68.58	11.94	8.13
-----	-----	87898-2865	-----	-----	-----	28	----	5	71.12	68.58	11.94	8.13
-----	-----	87898-2866	-----	-----	-----	28	----	6	71.12	68.58	11.94	8.13
-----	-----	87898-2961	-----	-----	-----	29	----	1	73.66	71.12	11.94	8.13
-----	-----	87898-2962	-----	-----	-----	29	----	2	73.66	71.12	11.94	8.13
-----	-----	87898-2964	-----	-----	-----	29	----	4	73.66	71.12	11.94	8.13
-----	-----	87898-2965	-----	-----	-----	29	----	5	73.66	71.12	11.94	8.13
-----	-----	87898-2966	-----	-----	-----	29	----	6	73.66	71.12	11.94	8.13
-----	-----	87898-3061	-----	-----	-----	30	----	1	76.20	73.66	11.94	8.13
-----	-----	87898-3062	-----	-----	-----	30	----	2	76.20	73.66	11.94	8.13
-----	-----	87898-3064	-----	-----	-----	30	----	4	76.20	73.66	11.94	8.13
-----	-----	87898-3065	-----	-----	-----	30	----	5	76.20	73.66	11.94	8.13
-----	-----	87898-3066	-----	-----	-----	30	----	6	76.20	73.66	11.94	8.13


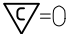
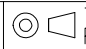

REVISE T&R QTY EC NO: S2009-0327 2008/11/26 DRWN:SKANG 2008/11/27 CHKD:ATSEE 2008/11/27 APPR:MLONG 2008/11/28	QUALITY SYMBOLS =0 =0	GENERAL TOLERANCES (UNLESS SPECIFIED) <table border="1"> <tr> <td></td> <td>mm</td> <td>INCH</td> </tr> <tr> <td>4 PLACES</td> <td>± ---</td> <td>± ---</td> </tr> <tr> <td>3 PLACES</td> <td>± ---</td> <td>± ---</td> </tr> <tr> <td>2 PLACES</td> <td>± 0.2</td> <td>± ---</td> </tr> <tr> <td>1 PLACE</td> <td>± ---</td> <td>± ---</td> </tr> </table>		mm	INCH	4 PLACES	± ---	± ---	3 PLACES	± ---	± ---	2 PLACES	± 0.2	± ---	1 PLACE	± ---	± ---	DIMENSION STYLE MM ONLY	SCALE NTS	DESIGN UNITS METRIC	
		mm	INCH																		
	4 PLACES	± ---	± ---																		
	3 PLACES	± ---	± ---																		
2 PLACES	± 0.2	± ---																			
1 PLACE	± ---	± ---																			
DESCRIPTION DRAFT WHERE APPLICABLE MUST REMAIN WITHIN DIMENSIONS	<table border="1"> <tr> <td>DRAWN BY</td> <td>DATE</td> <td>TITLE</td> </tr> <tr> <td>SKLIM01</td> <td>2005/10/26</td> <td rowspan="4"> CUSTOM HEADER 2.54MM PITCH SINGLE ROW SINGLE WAFER SMT HEADER MOLEX INCORPORATED </td> </tr> <tr> <td>CHECKED BY</td> <td>DATE</td> </tr> <tr> <td>NAGESHKN</td> <td>2005/10/30</td> </tr> <tr> <td>APPROVED BY</td> <td>DATE</td> </tr> <tr> <td>PTLIM</td> <td>2005/11/07</td> <td> SD-87898-003 </td> </tr> </table>	DRAWN BY	DATE	TITLE	SKLIM01	2005/10/26	CUSTOM HEADER 2.54MM PITCH SINGLE ROW SINGLE WAFER SMT HEADER MOLEX INCORPORATED	CHECKED BY	DATE	NAGESHKN	2005/10/30	APPROVED BY	DATE	PTLIM	2005/11/07	SD-87898-003	MATERIAL NO. SEE TABLE	DOCUMENT NO. SD-87898-003	SHEET NO. 13 OF 17		
DRAWN BY	DATE	TITLE																			
SKLIM01	2005/10/26	CUSTOM HEADER 2.54MM PITCH SINGLE ROW SINGLE WAFER SMT HEADER MOLEX INCORPORATED																			
CHECKED BY	DATE																				
NAGESHKN	2005/10/30																				
APPROVED BY	DATE																				
PTLIM	2005/11/07	SD-87898-003																			
SIZE A3	THIS DRAWING CONTAINS INFORMATION THAT IS PROPRIETARY TO MOLEX INCORPORATED AND SHOULD NOT BE USED WITHOUT WRITTEN PERMISSION																				

PACKAGING OPTION PART NO.						CKT SIZE	VOID POSITION	PLATING TYPE	DIMENSION			
TRY WITHOUT CAP	TRY WITH CAP	TUBE WITHOUT CAP	TUBE WITH CAP	TAPE & REEL WITHOUT CAP	TAPE & REEL WITH CAP				A	B	F	M
-----	-----	87898-3161	-----	-----	-----	31	----	1	78.74	76.20	11.94	8.13
-----	-----	87898-3162	-----	-----	-----	31	----	2	78.74	76.20	11.94	8.13
-----	-----	87898-3164	-----	-----	-----	31	----	4	78.74	76.20	11.94	8.13
-----	-----	87898-3165	-----	-----	-----	31	----	5	78.74	76.20	11.94	8.13
-----	-----	87898-3166	-----	-----	-----	31	----	6	78.74	76.20	11.94	8.13
-----	-----											
-----	-----	87898-3261	-----	-----	-----	32	----	1	81.28	78.74	11.94	8.13
-----	-----	87898-3262	-----	-----	-----	32	----	2	81.28	78.74	11.94	8.13
-----	-----	87898-3264	-----	-----	-----	32	----	4	81.28	78.74	11.94	8.13
-----	-----	87898-3265	-----	-----	-----	32	----	5	81.28	78.74	11.94	8.13
-----	-----	87898-3266	-----	-----	-----	32	----	6	81.28	78.74	11.94	8.13
-----	-----											
-----	-----	87898-3361	-----	-----	-----	33	----	1	83.82	81.28	11.94	8.13
-----	-----	87898-3362	-----	-----	-----	33	----	2	83.82	81.28	11.94	8.13
-----	-----	87898-3364	-----	-----	-----	33	----	4	83.82	81.28	11.94	8.13
-----	-----	87898-3365	-----	-----	-----	33	----	5	83.82	81.28	11.94	8.13
-----	-----	87898-3366	-----	-----	-----	33	----	6	83.82	81.28	11.94	8.13

-----	-----											
-------	-------	--	--	--	--	--	--	--	--	--	--	--

REVISE T&R QTY EC NO: S2009-0327 DRWN:SKANG 2008/11/26 CHKD:ATSEE 2008/11/27 APPR:MLONG 2008/11/28	DESCRIPTION REV	QUALITY SYMBOLS ▽=0 ◻=0	GENERAL TOLERANCES (UNLESS SPECIFIED) mm INCH 4 PLACES ± --- ± --- 3 PLACES ± --- ± --- 2 PLACES ± 0.2 ± --- 1 PLACE ± --- ± --- ANGULAR ± 3 °	DIMENSION STYLE MM ONLY DRAWN BY SKLIM01 DATE 2005/10/26 CHECKED BY NAGESHKN DATE 2005/10/30 APPROVED BY PTLIM DATE 2005/11/07	SCALE NTS DESIGN UNITS METRIC THIRD ANGLE PROJECTION	TITLE CUSTOM HEADER 2.54MM PITCH SINGLE ROW SINGLE WAFER SMT HEADER
		DRAFT WHERE APPLICABLE MUST REMAIN WITHIN DIMENSIONS	MATERIAL NO. SEE TABLE SIZE A3	MOLEX INCORPORATED DOCUMENT NO. SD-87898-003	SHEET NO. 14 OF 17	
		THIS DRAWING CONTAINS INFORMATION THAT IS PROPRIETARY TO MOLEX INCORPORATED AND SHOULD NOT BE USED WITHOUT WRITTEN PERMISSION				

PACKAGING OPTION PART NO.						CKT SIZE	VOID POSITION	PLATING TYPE	DIMENSION			
TRY WITHOUT CAP	TRY WITH CAP	TUBE WITHOUT CAP	TUBE WITH CAP	TAPE & REEL WITHOUT CAP	TAPE & REEL WITH CAP				A	B	F	M
-----	-----	87898-3461	-----	-----	-----	34	----	1	86.36	83.82	11.94	8.13
-----	-----	87898-3462	-----	-----	-----	34	----	2	86.36	83.82	11.94	8.13
-----	-----	87898-3464	-----	-----	-----	34	----	4	86.36	83.82	11.94	8.13
-----	-----	87898-3465	-----	-----	-----	34	----	5	86.36	83.82	11.94	8.13
-----	-----	87898-3466	-----	-----	-----	34	----	6	86.36	83.82	11.94	8.13
-----	-----	87898-3561	-----	-----	-----	35	----	1	88.90	86.36	11.94	8.13
-----	-----	87898-3562	-----	-----	-----	35	----	2	88.90	86.36	11.94	8.13
-----	-----	87898-3564	-----	-----	-----	35	----	4	88.90	86.36	11.94	8.13
-----	-----	87898-3565	-----	-----	-----	35	----	5	88.90	86.36	11.94	8.13
-----	-----	87898-3566	-----	-----	-----	35	----	6	88.90	86.36	11.94	8.13
-----	-----	87898-3661	-----	-----	-----	36	----	1	91.44	88.90	11.94	8.13
-----	-----	87898-3662	-----	-----	-----	36	----	2	91.44	88.90	11.94	8.13
-----	-----	87898-3664	-----	-----	-----	36	----	4	91.44	88.90	11.94	8.13
-----	-----	87898-3665	-----	-----	-----	36	----	5	91.44	88.90	11.94	8.13
-----	-----	87898-3666	-----	-----	-----	36	----	6	91.44	88.90	11.94	8.13

REVISE T&R QTY EC NO: S2009-0327 2008/11/26 DRWN:SKANG 2008/11/27 CHKD:ATSEE 2008/11/27 APPR:MLONG 2008/11/28	QUALITY SYMBOLS  = 0  = 0.2	GENERAL TOLERANCES (UNLESS SPECIFIED) <table border="1"> <tr><th colspan="2">mm</th><th>INCH</th></tr> <tr><td>4 PLACES</td><td>± ---</td><td>± ---</td></tr> <tr><td>3 PLACES</td><td>± ---</td><td>± ---</td></tr> <tr><td>2 PLACES</td><td>± 0.2</td><td>± ---</td></tr> <tr><td>1 PLACE</td><td>± ---</td><td>± ---</td></tr> </table>	mm		INCH	4 PLACES	± ---	± ---	3 PLACES	± ---	± ---	2 PLACES	± 0.2	± ---	1 PLACE	± ---	± ---	DIMENSION STYLE MM ONLY	SCALE NTS	DESIGN UNITS METRIC	 THIRD ANGLE PROJECTION
	mm		INCH																		
	4 PLACES	± ---	± ---																		
	3 PLACES	± ---	± ---																		
	2 PLACES	± 0.2	± ---																		
1 PLACE	± ---	± ---																			
DESCRIPTION DRAFT WHERE APPLICABLE MUST REMAIN WITHIN DIMENSIONS	<table border="1"> <tr><th>DRAWN BY</th><th>DATE</th></tr> <tr><td>SKLIM01</td><td>2005/10/26</td></tr> <tr><th>CHECKED BY</th><th>DATE</th></tr> <tr><td>NAGESHKN</td><td>2005/10/30</td></tr> <tr><th>APPROVED BY</th><th>DATE</th></tr> <tr><td>PTLIM</td><td>2005/11/07</td></tr> </table>	DRAWN BY	DATE	SKLIM01	2005/10/26	CHECKED BY	DATE	NAGESHKN	2005/10/30	APPROVED BY	DATE	PTLIM	2005/11/07	TITLE CUSTOM HEADER 2.54MM PITCH SINGLE ROW SINGLE WAFER SMT HEADER	 MOLEX INCORPORATED	MATERIAL NO. SEE TABLE	DOCUMENT NO. SD-87898-003	SHEET NO. 15 OF 17			
DRAWN BY	DATE																				
SKLIM01	2005/10/26																				
CHECKED BY	DATE																				
NAGESHKN	2005/10/30																				
APPROVED BY	DATE																				
PTLIM	2005/11/07																				
SIZE A3	THIS DRAWING CONTAINS INFORMATION THAT IS PROPRIETARY TO MOLEX INCORPORATED AND SHOULD NOT BE USED WITHOUT WRITTEN PERMISSION																				


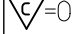
PACKAGING OPTION PART NO.

F	TRY WITHOUT CAP	TRY WITH CAP	TUBE WITHOUT CAP	TUBE WITH CAP	TAPE & REEL WITHOUT CAP	TAPE & REEL WITH CAP	CKT SIZE	VOID POSITION	PLATING TYPE	DIMENSION			
										A	B	F	M
	-----	-----	87898-3761	-----	-----	-----	37	----	1	93.98	91.44	11.94	8.13
	-----	-----	87898-3762	-----	-----	-----	37	----	2	93.98	91.44	11.94	8.13
	-----	-----	87898-3764	-----	-----	-----	37	----	4	93.98	91.44	11.94	8.13
	-----	-----	87898-3765	-----	-----	-----	37	----	5	93.98	91.44	11.94	8.13
	-----	-----	87898-3766	-----	-----	-----	37	----	6	93.98	91.44	11.94	8.13
E													
	-----	-----	87898-3861	-----	-----	-----	38	----	1	96.52	93.98	11.94	8.13
	-----	-----	87898-3862	-----	-----	-----	38	----	2	96.52	93.98	11.94	8.13
	-----	-----	87898-3864	-----	-----	-----	38	----	4	96.52	93.98	11.94	8.13
	-----	-----	87898-3865	-----	-----	-----	38	----	5	96.52	93.98	11.94	8.13
	-----	-----	87898-3866	-----	-----	-----	38	----	6	96.52	93.98	11.94	8.13
D													
	-----	-----	87898-3961	-----	-----	-----	39	----	1	99.06	96.52	11.94	8.13
	-----	-----	87898-3962	-----	-----	-----	39	----	2	99.06	96.52	11.94	8.13
	-----	-----	87898-3964	-----	-----	-----	39	----	4	99.06	96.52	11.94	8.13
	-----	-----	87898-3965	-----	-----	-----	39	----	5	99.06	96.52	11.94	8.13
	-----	-----	87898-3966	-----	-----	-----	39	----	6	99.06	96.52	11.94	8.13

REVISE T&R QTY EC NO: S2009-0327 DRWN:SKANG 2008/11/26 CHKD:ATSEE 2008/11/27 APPR:MLONG 2008/11/28	QUALITY SYMBOLS ▽=0 ◻=0	GENERAL TOLERANCES (UNLESS SPECIFIED)		DIMENSION STYLE MM ONLY		SCALE NTS	DESIGN UNITS METRIC	THIRD ANGLE PROJECTION		
			mm	INCH	DRAWN BY	DATE	TITLE			
		4 PLACES	± ---	± ---	SKLIM01	2005/10/26	CUSTOM HEADER 2.54MM PITCH SINGLE ROW SINGLE WAFER SMT HEADER			
		3 PLACES	± ---	± ---	CHECKED BY	DATE				
2 PLACES	± 0.2	± ---	NAGESHKN	2005/10/30	MOLEX INCORPORATED					
1 PLACE	± ---	± ---	APPROVED BY	DATE						
ANGULAR ± 3 °				PTLIM	2005/11/07	DOCUMENT NO.		SHEET NO.		
DRAFT WHERE APPLICABLE MUST REMAIN WITHIN DIMENSIONS		SEE TABLE		MATERIAL NO.		SD-87898-003		16 OF 17		
				SIZE A3		THIS DRAWING CONTAINS INFORMATION THAT IS PROPRIETARY TO MOLEX INCORPORATED AND SHOULD NOT BE USED WITHOUT WRITTEN PERMISSION				

PACKAGING OPTION PART NO.

TRY WITHOUT CAP	TRY WITH CAP	TUBE WITHOUT CAP	TUBE WITH CAP	TAPE & REEL WITHOUT CAP	TAPE & REEL WITH CAP	CKT SIZE	VOID POSITION	PLATING TYPE	DIMENSION			
									A	B	F	M
-----	-----	87898-4061	-----	-----	-----	40	----	1	101.6	99.06	11.94	8.13
-----	-----	87898-4062	-----	-----	-----	40	----	2	101.6	99.06	11.94	8.13
-----	-----	87898-4064	-----	-----	-----	40	----	4	101.6	99.06	11.94	8.13
-----	-----	87898-4065	-----	-----	-----	40	----	5	101.6	99.06	11.94	8.13
-----	-----	87898-4066	-----	-----	-----	40	----	6	101.6	99.06	11.94	8.13

REVISE T&R QTY EC NO: S2009-0327 DRWN:SKANG CHKD:ATSEE APPR:MLONG 2008/11/26 2008/11/27 2008/11/28	QUALITY SYMBOLS	GENERAL TOLERANCES (UNLESS SPECIFIED)		DIMENSION STYLE MM ONLY		SCALE NTS	DESIGN UNITS METRIC	THIRD ANGLE PROJECTION		
	 = 0  = 0.2	4 PLACES ± --- ± --- 3 PLACES ± --- ± --- 2 PLACES ± 0.2 ± --- 1 PLACE ± --- ± ---	mm	INCH	DRAWN BY SKLIM01	DATE 2005/10/26	TITLE CUSTOM HEADER 2.54MM PITCH SINGLE ROW SINGLE WAFER SMT HEADER			
	DESCRIPTION	ANGULAR ± 3 °	DRAFT WHERE APPLICABLE MUST REMAIN WITHIN DIMENSIONS		CHECKED BY NAGESHKN	DATE 2005/10/30	MOLEX INCORPORATED			
	REV		SEE TABLE		APPROVED BY PTLIM	DATE 2005/11/07	DOCUMENT NO. SD-87898-003		SHEET NO. 17 OF 17	