

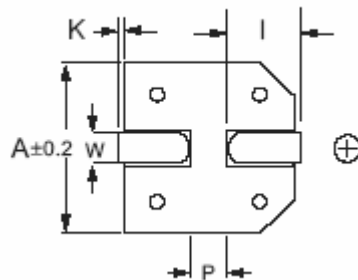
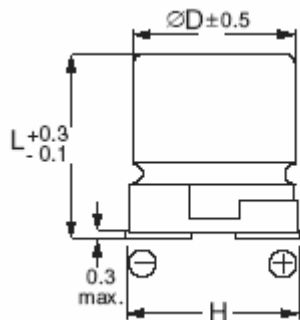
Chip Aluminum Electrolytic Capacitor

Features

- Chip E-capacitor
- Lifetime: 2000 hours at 85°C
- RoHS compliant



Dimensions (in mm)



Case Code	$\varnothing D$	L	A	H (Max.)	I	W	P	K
B	4.0	5.4	4.3	5.5	1.8	0.65±0.1	1.0±0.2	0.35 ^{+0.15} / _{-0.20}
C	5.0	5.4	5.3	6.5	2.2	0.65±0.1	1.5±0.2	0.35 ^{+0.15} / _{-0.20}
D	6.3	5.4	6.6	7.8	2.6	0.65±0.1	1.8±0.2	0.35 ^{+0.15} / _{-0.20}
E	8.0	6.2	8.3	9.5	3.4	0.65±0.1	2.2±0.2	0.35 ^{+0.15} / _{-0.20}
F	8.0	10.2	8.3	10.0	3.4	0.90±0.2	3.1±0.2	0.70±0.2
G	10.0	10.2	10.3	12.0	3.5	0.90±0.2	4.6±0.2	0.70±0.2

Specification

Description	Value										Conditions
Capacitance Tolerance	±20%										at 120Hz, 20 °C
Rated Voltage Range (WV)	4~100 VDC										
Working Voltage Range (WV)	4	6.3	10	16	25	35	50	63	100		
Surge Voltage (V)	5	8	13	20	32	44	63	79	125	at 20 °C	
Low Temperature Stability Impedance Ratio at 120Hz	7	4	3	2	2	2	2	2	2	Z(-25°C)/ Z(+20°C)	
	15	8	6	4	4	3	3	3	3	Z(-40°C)/ Z(+20°C)	
Max. Dissipation Factor tan δ	Shown in the table of standard rating										at 20 °C, 120Hz
Operation Temperature Range	-40 ~+85 °C										
Max. Leakage current at 20 °C	≤0.01 CV or 3 μ A, whichever is greater (C= Nominal Capacitance (μ F), V= Rated Voltage (V))										After 2 minutes applied Rated Voltage

Chip Aluminum Electrolytic Capacitor

TCE Series

Description		Value	Conditions
Load Life	Capacitance Change	Within±20% of the initial value	After 2000 Hours applied Rated Voltage at 85°C
	Dissipation Factor	Not move than 200% of the specified value	
	Leakage Current	Not more than the specified value	
Shelf Life		Shall meet the same requirement as load life.	After placed at 85°C without voltage applied for 1000 hours

Ripple Current Multiplier

	Frequency (Hz)				Operation Temperature (°C)		
	60	120	1000	10,000	≤50	70	85
Coefficient	0.80	1.00	1.15	1.25	1.36	1.25	1.00

Case Size (φD X L in mm) & tan δ & Rated Ripple Current & ESR

UR (V)	4				6.3			
SPEC μF	ψDxL (mm)	tanδ	ESR (Ω)	RC (mArms)	ψDxL (mm)	tanδ	ESR (Ω)	RC (mArms)
22	4x5.4	0.35	21.1	19	4x5.4	0.26	15.6	20
33	4x5.4	0.35	14.0	26	5x5.4	0.26	10.4	22
47	4x5.4	0.35	9.87	34	5x5.4	0.26	7.33	46
100	5x5.4	0.35	4.64	61	6.3x5.4	0.26	3.44	71
220	6.3x5.4	0.35	2.11	82	8x6.2	0.35	2.11	250
330					8x6.2	0.35	1.40	300
470					8x10.2	0.35	0.987	380
1000					10x10.2	0.35	0.464	700

UR (V)	10				16			
SPEC μF	ψDxL (mm)	tanδ	ESR (Ω)	RC (mArms)	ψDxL (mm)	tanδ	ESR (Ω)	RC (mArms)
4.7					4x5.4	0.16	45.1	20
10					4x5.4	0.16	21.1	28
22	4x5.4	0.30	18.0	28	4x5.4	0.26	15.6	27
					5x5.4	0.16	9.64	39
33	4x5.4	0.30	12.0	29	5x5.4	0.26	10.4	45
	5x5.4	0.20	8.03	43	6.3x5.4	0.16	6.43	66
47	5x5.4	0.30	8.46	43	6.3x5.4	0.16	4.51	70
100	6.3x5.4	0.26	3.44	70	6.3x5.4	0.20	2.65	70
220	8x6.2	0.26	1.56	250	8x10.2	0.20	1.20	280
330	8x10.2	0.26	1.04	330	10x10.2	0.20	0.803	380
470	10x10.2	0.26	0.733	400	10x10.2	0.20	0.564	420
1000	10x10.2	0.26	0.344	580				

Chip Aluminum Electrolytic Capacitor

TCE Series

UR (V)	25				35				50			
SPEC μF	ψDxL (mm)	tanδ	ESR (Ω)	RC (mArms)	ψDxL (mm)	tanδ	ESR (Ω)	RC (mArms)	ψDxL (mm)	tanδ	ESR (Ω)	RC (mArms)
0.1									4x5.4	0.12	1593	1
0.22									4x5.4	0.12	723	2
0.33									4x5.4	0.12	482	3
0.47									4x5.4	0.12	338	5
1									4x5.4	0.12	159	10
2.2					4x5.4	0.12	72.3	8	4x5.4	0.12	72.3	16
3.3					4x5.4	0.12	48.2	10	4x5.4	0.12	48.2	16
4.7	4x5.4	0.14	39.5	22	4x5.4	0.12	33.8	22	5x5.4	0.12	33.8	23
10	4x5.4	0.20	26.5	24	4x5.4	0.16	21.2	24	6.3x5.4	0.12	15.9	35
	5x5.4	0.14	18.5	28	5x5.4	0.12	15.9	30				
22	6.3x5.4	0.14	8.44	55	6.3x5.4	0.12	7.23	60	8x6.2	0.12	7.23	110
33	6.3x5.4	0.14	5.62	65	8x6.2	0.14	5.62	130	8x10.2	0.12	4.82	120
47	6.3x5.4	0.20	5.64	70	8x6.2	0.14	3.95	165	10x10.2	0.12	3.38	130
	8x6.2	0.16	4.51	96								
100	8x10.2	0.16	2.12	180	10x10.2	0.14	1.85	210	10x10.2	0.12	1.59	190
220	10x10.2	0.16	0.964	310	10x10.2	0.14	0.844	310	10x10.2	0.12	0.723	300

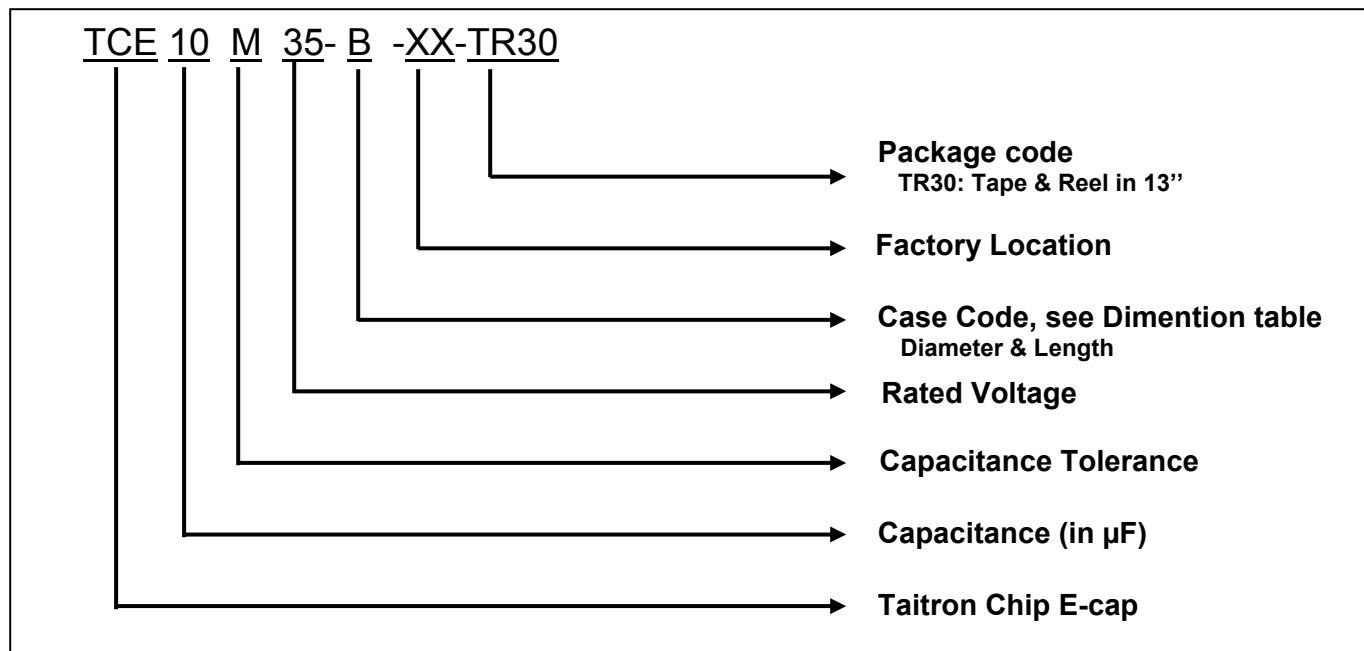
UR (V)	63				100			
SPEC μF	ψDxL (mm)	tanδ	ESR (Ω)	RC (mArms)	ψDxL (mm)	tanδ	ESR (Ω)	RC (mArms)
3.3					8x10.2	0.18	72.3	30
4.7	6.3x5.4	0.18	50.8	20	8x10.2	0.18	50.8	50
10	6.3x5.4	0.18	23.8	20	8x10.2	0.18	23.8	55
22	8x10.2	0.18	10.8	30	10x10.2	0.18	10.8	60
33	8x10.2	0.18	7.23	30	10x10.2	0.18	7.23	65
47	8x10.2	0.18	5.08	30				
100	10x10.2	0.18	2.38	60				

- Note: 1. Max Dissipation Factor (tanδ) at 120Hz, 20°C;
 2. Max Equivalent Series Resistance (ESR) at 120Hz, 20°C;
 3. Max Permissible Ripple Current (RC) at 120Hz, 85°C.

Chip Aluminum Electrolytic Capacitor

TCE Series

How to Order:



How to contact us:

US HEADQUARTERS

28040 WEST HARRISON PARKWAY, VALENCIA, CA 91355-4162

Tel: (800) TAITRON (800) 247-2232 (661) 257-6060

Fax: (800) TAITFAX (800) 824-8329 (661) 257-6415

Email: taitron@taitroncomponents.com

Http://www.taitroncomponents.com

TAITRON COMPONENTS MEXICO, S.A .DE C.V.

BOULEVARD CENTRAL 5000 INTERIOR 5 PARQUE INDUSTRIAL ATITALAQUIA, HIDALGO C.P.

42970 MEXICO

Tel: +52-55-5560-1519

Fax: +52-55-5560-2190

TAITRON COMPONENTS INCORPORATED REPRESENTAÇÕES DO BRASIL LTDA

RUA DOMINGOS DE MORAIS, 2777, 2.ANDAR, SALA 24 SAÚDE - SÃO PAULO-SP 04035-001 BRAZIL

Tel: +55-11-5574-7949

Fax: +55-11-5572-0052

TAITRON COMPONENTS INCORPORATED, SHANGHAI REPRESENTATIVE OFFICE

CROSS REGION PLAZA, 899 LINGLING ROAD, SUITE 18C, SHANGHAI, 200030, CHINA

Tel: +86-21-5424-9942

Fax: +86-21-5424-9931