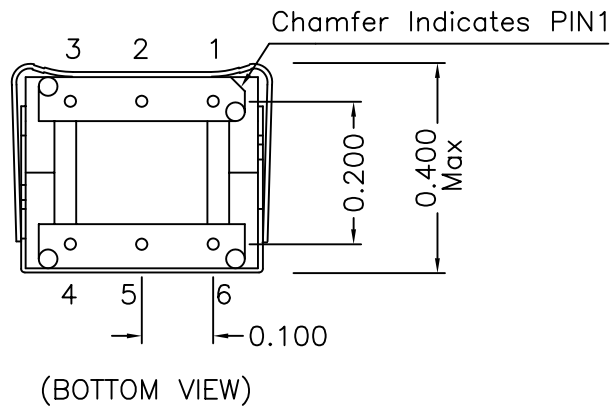
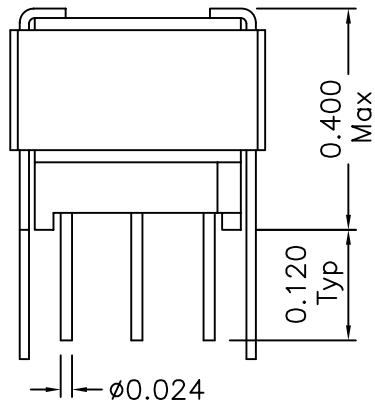
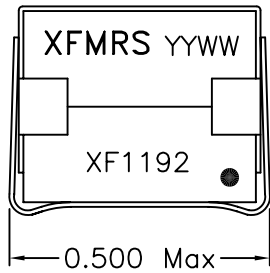
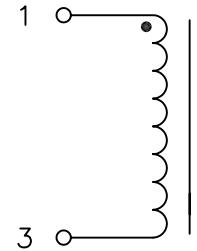


1. Mechanical:



2. Schematic:



3. Electrical Specifications: @25°C

Isolation: 500 Vrms (Wdg to Core)

OCL(PIN1-3): 96uH \pm 4% @100KHz 100mV

Q: 85 Min @ 100KHz 0.1V

DC Res.: 0.420 Ohms Max

DC Current: 250mA

XFMRS Inc	Title: INDUCTOR	
	UNLESS OTHERWISE SPECIFIED	P/N: XF1192
TOLERANCES: .xxx \pm 0.010	DWN.	李清儿
Dimensions in INCH	CHK.	孙怡
SHEET 1 OF 1	APP.	J Ng
		REV. A
		Apr-13-04
		Apr-13-04
		Apr-13-04

DOC. REV A/2