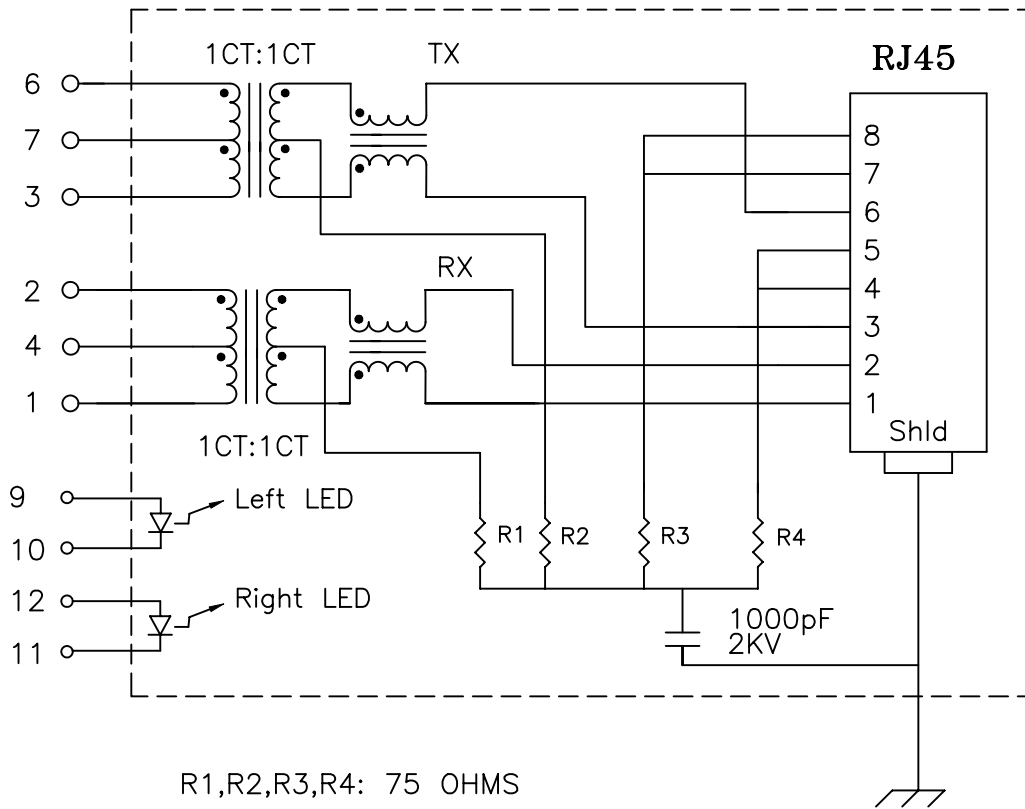


Schematic:



R1,R2,R3,R4: 75 OHMS

Electrical Specifications: @25°C

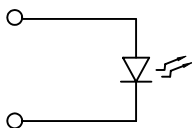
- Isolation Voltage: 1500 Vrms (Input to Output)
- Isolation Voltage: 500 Vrms (P1+2+3 to P4+5+6)
- Turns Ratio: TX 1CT:1CT ±3% RX 1CT:1CT ±3%
- CABLE SIDE OCL: 350uH Minimum @100KHz 100mV 8mADC
- Insertion Loss (300KHz-100MHz): -1.0dB Maximum
- Return Loss: @30MHz -20dB Minimum
- @80MHz -15dB Typ

Complete the Combo P/N as follows:

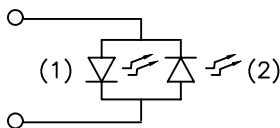
Replace 'x' & 'u' in the part number with one of the LED color letters:

- Y=Yellow
- G=Green
- A=Amber
- R=Red
- N=Yellow(1)/Green(2) Bicolor
- M=Green(1)/Yellow(2) Bicolor

Single Color LED:



Bi-Color LED:



DOC. REV: A/2

Notes:

1. Solderability: Leads shall meet MIL-STD-202, Method 208D for solderability.
2. Flammability: UL94V-0
3. ASTM oxygen index: > 28%
4. Temperature rating: 155°C. UL file E151556
5. Operating Temperature Range: -40°C to +85°C

XFMRs Inc.

Title: **SINGLE PORT COMBO**

UNLESS OTHERWISE SPECIFIED

P/N: XFATM11J-CAXu1-4MS | REV. A

TOLERANCES:

DWN. 罗振江 Jun-28-04

.xxx ±0.010

CHK. 廖玉坤 Jun-28-04

Dimensions in Inch

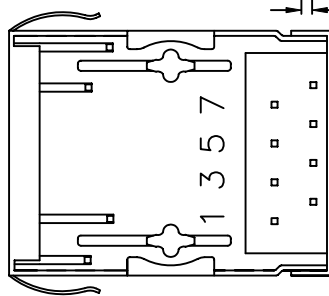
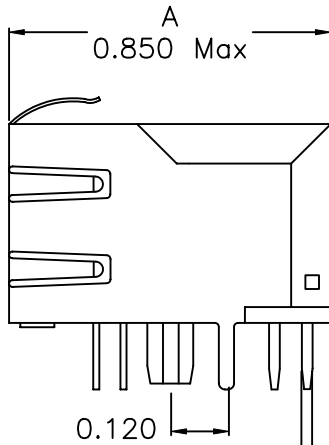
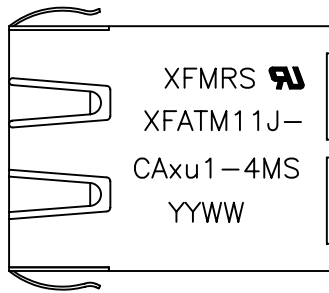
APP. MS Jun-28-04

SHEET 1 OF 2

PROPRIETARY:

Document is the property of XFMRs Group & is not allowed to be duplicated without authorization.

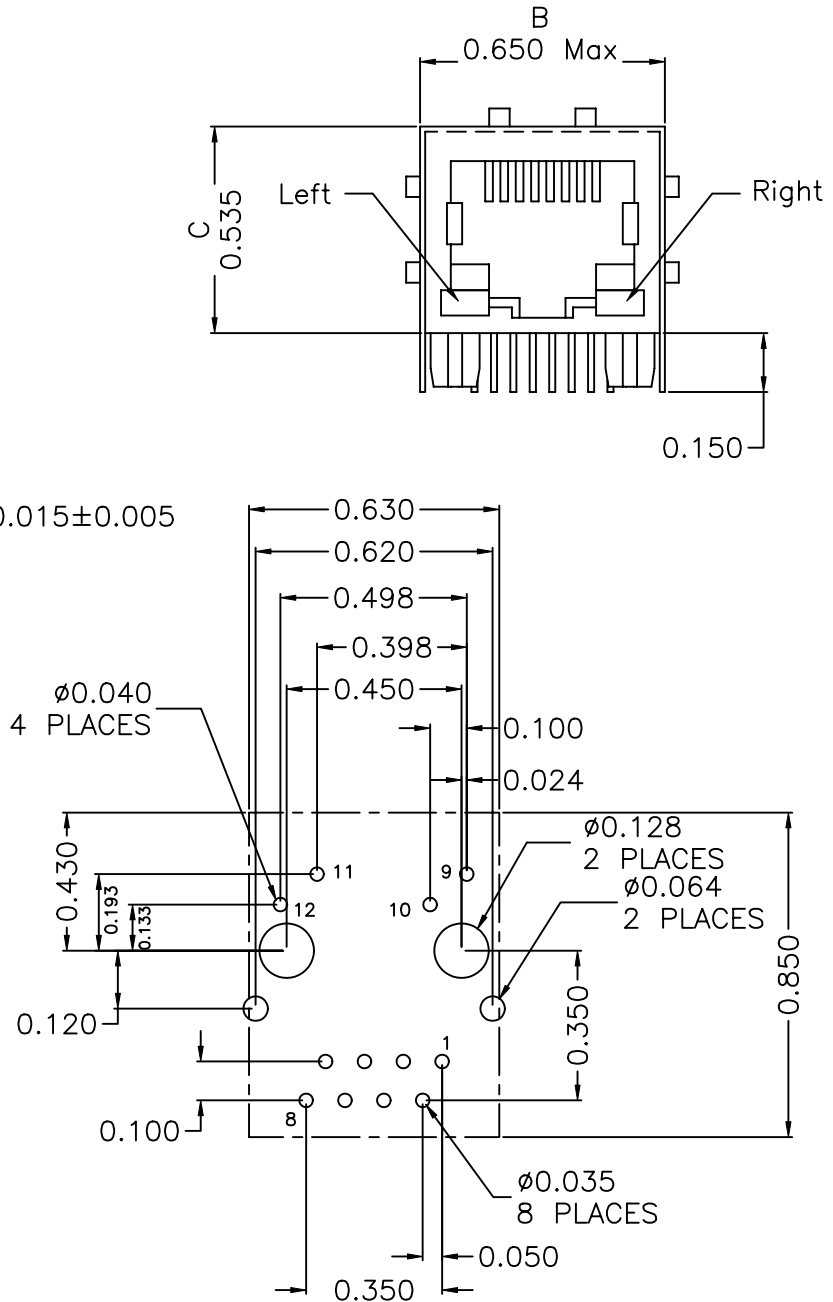
Mechanical Dimensions:



(BOTTOM VIEW)

Mounting Pattern:

(COMP SIDE)



DOC. REV: A/2

XFMRS Inc.		Title: Mechanical Dimensions For CAxu1-4MS Series	
UNLESS OTHERWISE SPECIFIED TOLERANCES: .xxx ±0.010 Dimensions in Inch	P/N: XFATM11J-CAxu1-4MS	REV. A	
	DWN. 刘鹏	Jun-28-04	
	CHK. 李小锋	Jun-28-04	
SHEET 2 OF 2	APP. MS	Jun-28-04	

PROPRIETARY:

Document is the property of XFMRS Group & is not allowed to be duplicated without authorization.