

**PLEASE CHECK WWW.MOLEX.COM FOR LATEST PART INFORMATION**

**Part Number:** [0494631417](#)  
**Status:** **Active**  
**Description:** 2.00mm (0.078") LCD Housing Assembly, Single Row, 14 Circuits

**Documents:**

[3D Model](#) [Product Specification PS-49463-001 \(PDF\)](#)  
[Drawing \(PDF\)](#) [RoHS Certificate of Compliance \(PDF\)](#)

**General**

Product Family	Other Sockets
Series	<a href="#">49463</a>
Component Type	Socket
Product Name	N/A

**Physical**

Circuits (Loaded)	14
Color - Resin	Black
Durability (mating cycles max)	200
Entry Angle	Vertical
Keying to Mating Part	None
Material - Metal	Phosphor Bronze
Material - Plating Mating	Tin
Material - Plating Termination	Tin
PCB Locator	Yes
PCB Retention	Yes
Packaging Type	Embossed Tape on Reel
Pitch - Mating Interface (in)	0.078 In
Pitch - Mating Interface (mm)	2.00 mm
Temperature Range - Operating	-30°C to +105°C
Termination Interface: Style	Surface Mount

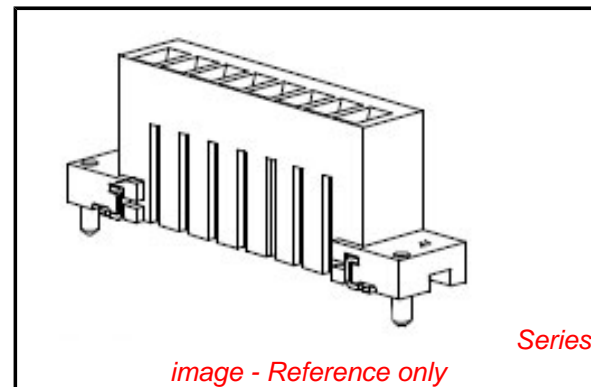
**Electrical**

Current - Maximum per Contact	1A
Voltage - Maximum	125V AC (RMS)/DC

**Material Info**

**Reference - Drawing Numbers**

Packaging Specification	PK-49463-001
Product Specification	PS-49463-001
Sales Drawing	SD-49463-001, SD-49463-002



**EU RoHS**

**ELV and RoHS  
Compliant**  
**REACH SVHC  
Contains SVHC: No  
Halogen-Free  
Status**

**China RoHS**



**Need more information on product  
environmental compliance?**

Email [productcompliance@molex.com](mailto:productcompliance@molex.com)  
 For a multiple part number RoHS Certificate of  
 Compliance, [click here](#)

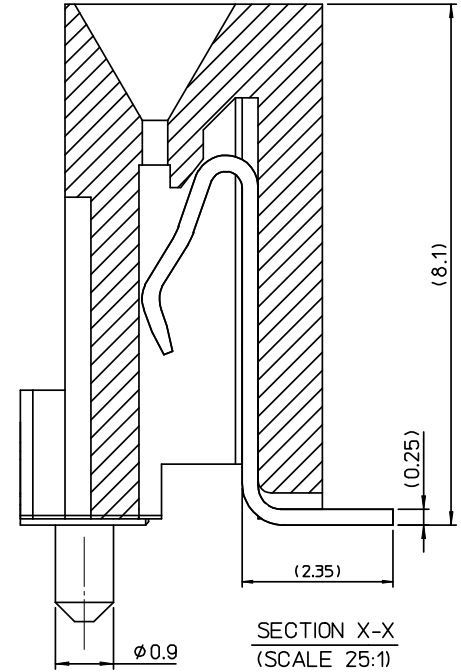
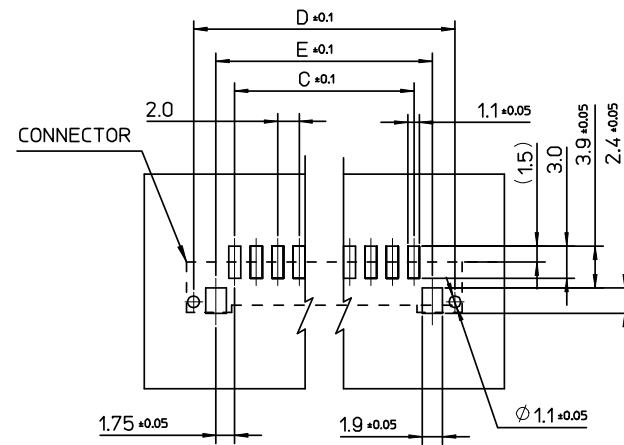
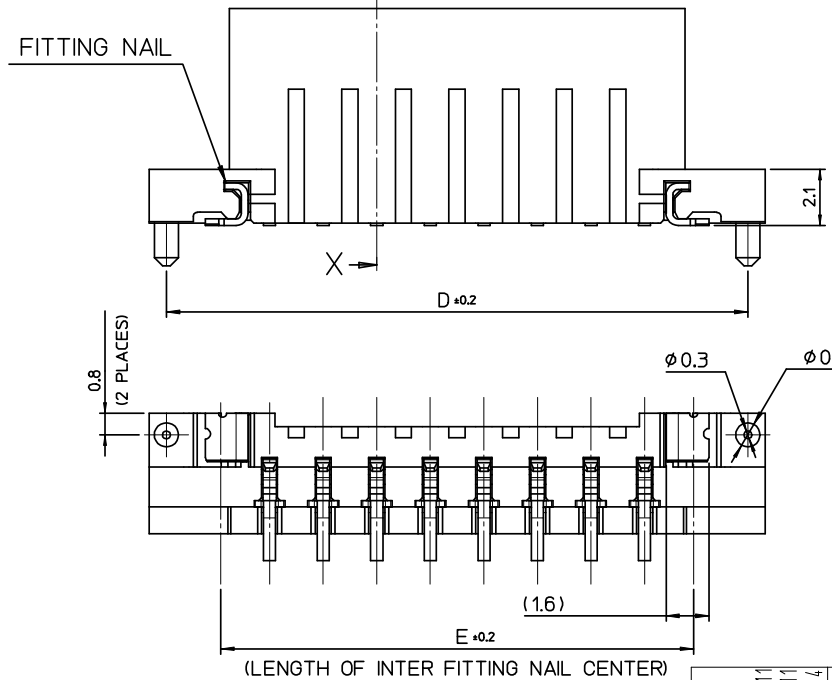
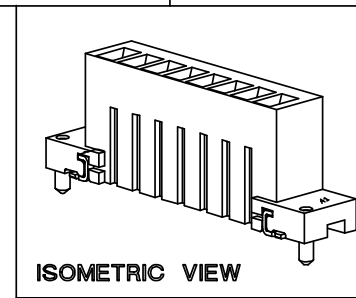
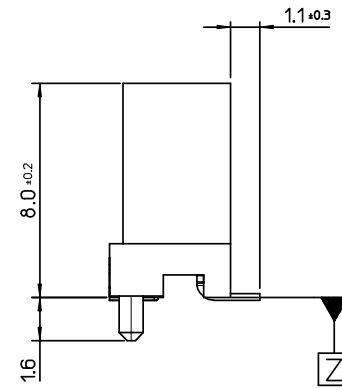
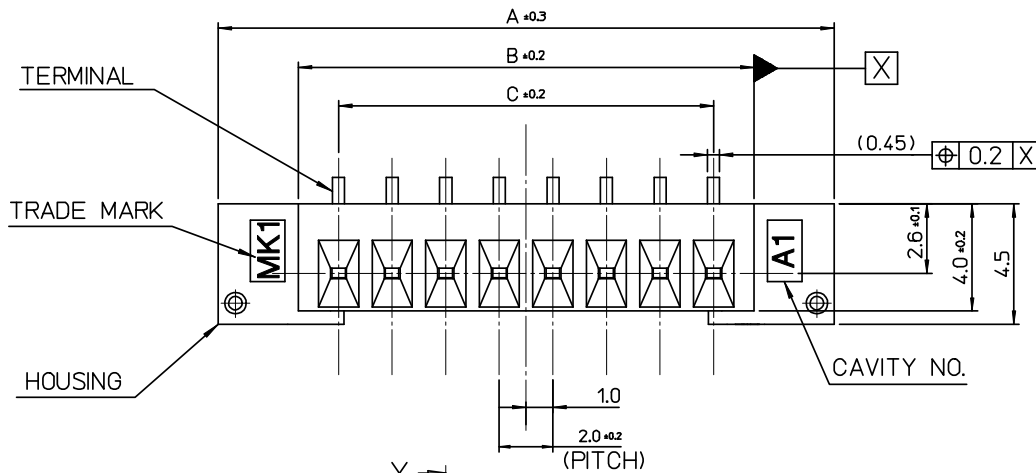
Please visit the [Contact Us](#) section for any  
 non-product compliance questions.

**Search Parts in this Series**

[49463Series](#)

**Mates With**

LCD Module



49.65	53.7	46	49	55	494632411	49463-2411	24
45.65	49.7	42	45	51	494632211	49463-2211	22
41.65	45.7	38	41	47	494632011	49463-2011	20
37.65	41.7	34	37	43	494631811	49463-1811	18
33.65	37.7	30	33	39	494631611	49463-1611	16
29.65	33.7	26	29	35	494631411	49463-1411	14
25.65	29.7	22	25	31	494631211	49463-1211	12
21.65	25.7	18	21	27	494631011	49463-1011	10
17.65	21.7	14	17	23	494630811	49463-0811	8
E	D	C	b	A	MATERIAL NO.	ENG. NO.	CKTS.

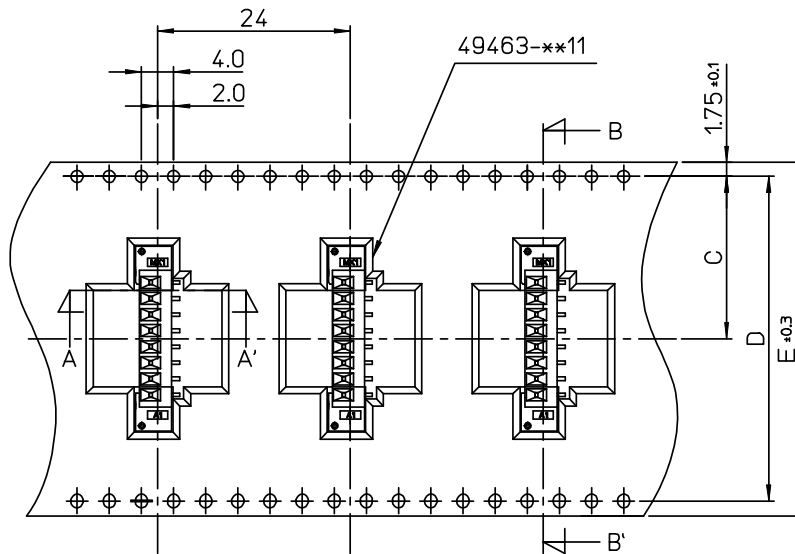
- NOTE
- MATERIAL  
HOUSING : POLYAMIDE GLASS FILLED. UL94-V0. BLACK  
TERMINAL · PHOSPHOR BRONZE
  - FINISH  
CONTACT- Sn 2 MICROMETER MIN. OVER Ni 1~3 MICROMETER.
  - MISALIGNMENT OF SOLDER TAIL & FITTING NAIL FROM Z:  
LOWER DIRECTION 0.1~0.25.
  - CAMBER/BOW OF ALL SECTIONS TO BE 0.15MAX.
  - SOLDER TAIL & FITTING NAIL COPLANARITY BEFORE REFLOW TO BE 0.1MAX. AFTER REFLOW TO BE 0.15MAX.

NEW RELEASE	DESCRIPTION
EC NO: KOR2008-0090	DRWNH:JEONG 2008/07/11
DRWNH:JEONG 2008/07/11	CHKD:YSOOKIM 2008/07/11
APPR:YUNS IKKIM 2008/07/14	
REV	
A	

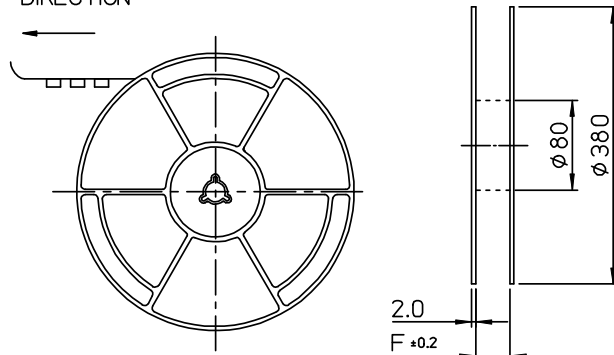
QUALITY SYMBOLS	GENERAL TOLERANCES (UNLESS SPECIFIED)																	
	<table border="1"> <tr> <td></td> <td>mm</td> <td>INCH</td> </tr> <tr> <td>4 PLACES</td> <td>± ---</td> <td>± ---</td> </tr> <tr> <td>3 PLACES</td> <td>± ---</td> <td>± ---</td> </tr> <tr> <td>2 PLACES</td> <td>± 0.05</td> <td>± ---</td> </tr> <tr> <td>1 PLACE</td> <td>± 0.1</td> <td>± ---</td> </tr> <tr> <td colspan="3">ANGULAR ± 1°</td> </tr> </table>		mm	INCH	4 PLACES	± ---	± ---	3 PLACES	± ---	± ---	2 PLACES	± 0.05	± ---	1 PLACE	± 0.1	± ---	ANGULAR ± 1°	
	mm	INCH																
4 PLACES	± ---	± ---																
3 PLACES	± ---	± ---																
2 PLACES	± 0.05	± ---																
1 PLACE	± 0.1	± ---																
ANGULAR ± 1°																		
	DRAFT WHERE APPLICABLE MUST REMAIN WITHIN DIMENSIONS																	

DIMENSION STYLE		SCALE	DESIGN UNITS	THIRD ANGLE PROJECTION
MM ONLY		5:1	METRIC	
DRAWN BY	DATE	TITLE		
YRKIM	2007/01/24	2.0MM LCD HOUSING ASS'Y SERIES		
CHECKED BY	DATE	MOLEX INCORPORATED		
YSOOKIM	2007/01/24	SD-49463-001		
APPROVED BY	DATE	SHEET NO.		
YSOOKIM	2007/01/24	1 OF 1		
MATERIAL NO.		DOCUMENT NO.		
SEE TABLE		THIS DRAWING CONTAINS INFORMATION THAT IS PROPRIETARY TO MOLEX INCORPORATED AND SHOULD NOT BE USED WITHOUT WRITTEN PERMISSION		

PULL OUT DIRECTION

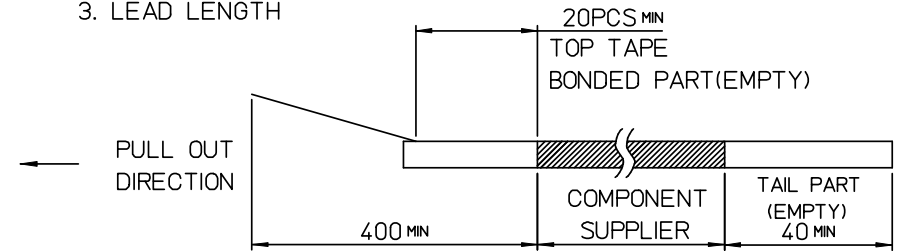


PULL OUT DIRECTION

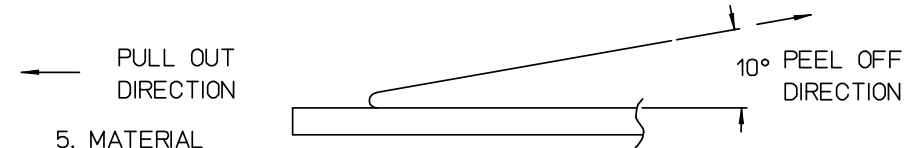


NOTE

1. REFER TO THE DRAWING 49463-\*\*-11 FOR CONNECTOR DIMENSIONS.
2. QUANTITY OF CONNECTORS : 350PCS/REEL
3. LEAD LENGTH



4. PEELING OFF FORCE OF TOP TAPE : 0.1N~0.7N(10.2gf~71.4gf)  
(PEELING DIRECTION AS SHOWN IN FOLLOW FIG.)  
- THIS REQUIREMENT SHOULD BE APPLIED AT SHIPMENT.  
- PEEL OFF SHOULD NOT BE ALLOWED, DURING TRANSPORTATION.



5. MATERIAL  
- CARRIER TAPE : P.E.T  
- TOP TAPE : P.E.T  
- REEL : P.S
6. MATERIAL THICKNESS : 0.4mm
7. ALL CORNER : R 0.2

73.5	72	68.4	34.2	49463-9924	494632417	49463-2417	24
73.5	72	68.4	34.2	49463-9922	494632217	49463-2217	22
73.5	72	68.4	34.2	49463-9920	494632017	49463-2017	20
73.5	72	68.4	34.2	49463-9918	494631817	49463-1817	18
57.5	56	52.4	26.2	49463-9916	494631617	49463-1617	16
57.5	56	52.4	26.2	49463-9914	494631417	49463-1417	14
57.5	56	52.4	26.2	49463-9912	494631217	49463-1217	12
45.5	44	40.4	20.2	49463-9910	494631017	49463-1017	10
45.5	44	40.4	20.2	49463-9908	494630817	49463-0817	8
F	E	D	C	EMBOSS TAPE	MATERIAL NO.	ENG. NO.	CKT

<p>NEW RELEASE</p> <p>EC NO: KOR2008-0090</p> <p>DRWN: HJEONG 2008/07/11</p> <p>CHKD: YSOOK IM 2008/07/11</p> <p>APPR: YUNS IKK IM 2008/07/14</p>	<p>QUALITY SYMBOLS</p> <p>▽=0</p> <p>▽C=0</p>	<p>GENERAL TOLERANCES (UNLESS SPECIFIED)</p>		<p>DIMENSION STYLE</p> <p>MM ONLY</p>		<p>SCALE</p> <p>1.5:1</p>	<p>DESIGN UNITS</p> <p>METRIC</p>	<p>THIRD ANGLE PROJECTION</p>		
		<p>4 PLACES ± --- ± ---</p>	<p>3 PLACES ± --- ± ---</p>	<p>DRAWN BY</p> <p>YRKIM</p>	<p>DATE</p> <p>2007/01/24</p>	<p>TITLE</p> <p>2.0MM LCD HOUSING ASS'Y SERIES</p>				
		<p>2 PLACES ±0.05 ± ---</p>	<p>1 PLACE ±0.1 ± ---</p>	<p>CHECKED BY</p> <p>YSOOK IM</p>	<p>DATE</p> <p>2007/01/24</p>	<p>EMBOSSED TAPE PACKAGE</p>				
		<p>ANGULAR ± 1 °</p>		<p>APPROVED BY</p> <p>YSOOK IM</p>	<p>DATE</p> <p>2007/01/24</p>	<p>MOLEX INCORPORATED</p>				
<p>DRAFT WHERE APPLICABLE MUST REMAIN WITHIN DIMENSIONS</p>				<p>MATERIAL NO.</p> <p>SEE TABLE</p>		<p>DOCUMENT NO.</p> <p>SD-49463-002</p>		<p>SHEET NO.</p> <p>1 OF 1</p>		
<p>THIS DRAWING CONTAINS INFORMATION THAT IS PROPRIETARY TO MOLEX INCORPORATED AND SHOULD NOT BE USED WITHOUT WRITTEN PERMISSION</p>										