

PLEASE CHECK WWW.MOLEX.COM FOR LATEST PART INFORMATION

Part Number: [0521160241](#)
Status: **Active**
Overview: [splash_proof](#)
Description: 2.50mm (.098") Pitch Splash Proof Wire-to-Wire Plug Housing for AVS 0.3,2 Circuits

Documents:

[3D Model](#) [Product Specification PS-52117-002 \(PDF\)](#)
[Drawing \(PDF\)](#) [RoHS Certificate of Compliance \(PDF\)](#)
[Product Specification PS-52117-001 \(PDF\)](#)

General

Product Family	Crimp Housings
Series	52116
Overview	splash_proof
Product Name	Splash Proof

Physical

Circuits (maximum)	2
Color - Resin	Black
Gender	Plug
Glow-Wire Compliant	No
Lock to Mating Part	Yes
Material - Resin	Polyester
Number of Rows	1
Packaging Type	Tray
Panel Mount	No
Pitch - Mating Interface (in)	0.197 In
Pitch - Mating Interface (mm)	5.00 mm
Stackable	No
Temperature Range - Operating	-40°C to +105°C

Electrical

Current - Maximum per Contact	3A
-------------------------------	----

Material Info

Reference - Drawing Numbers

Packaging Specification	SPK-52116-001
Product Specification	PS-52117-001, PS-52117-002
Sales Drawing	SD-52116-02**

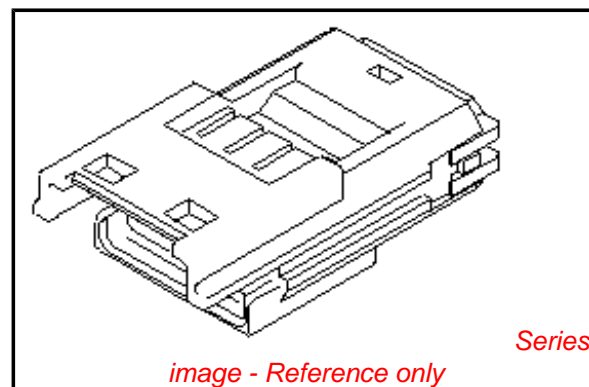


image - Reference only

EU RoHS

**ELV and RoHS
Compliant**
REACH SVHC
 Not Reviewed
**Halogen-Free
Status**

China RoHS



**Need more information on product
environmental compliance?**

Email productcompliance@molex.com
 For a multiple part number RoHS Certificate of
 Compliance, [click here](#)

Please visit the [Contact Us](#) section for any
 non-product compliance questions.

Search Parts in this Series

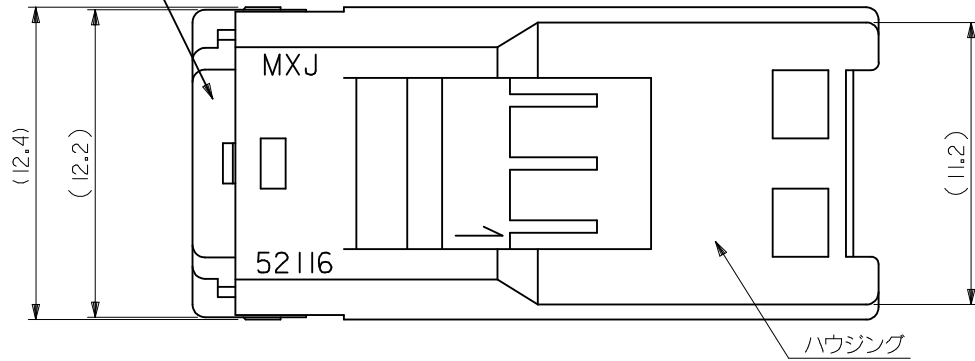
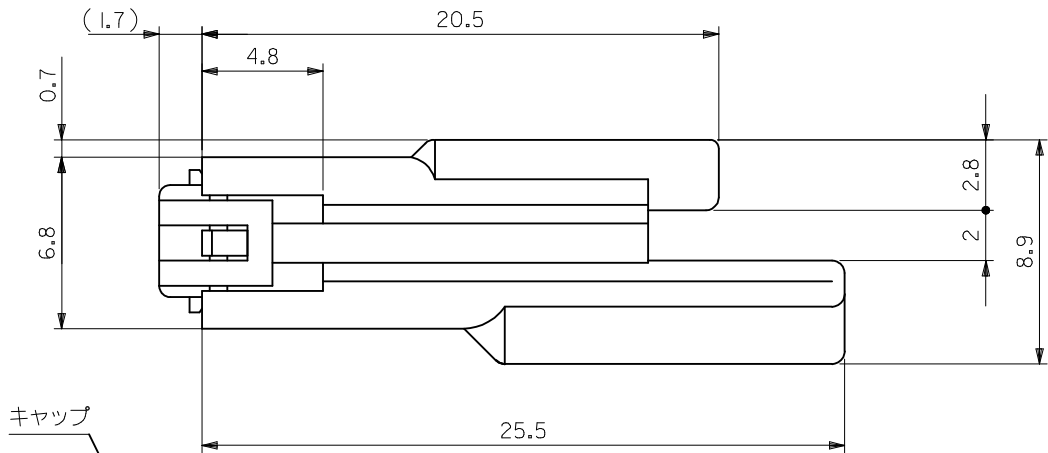
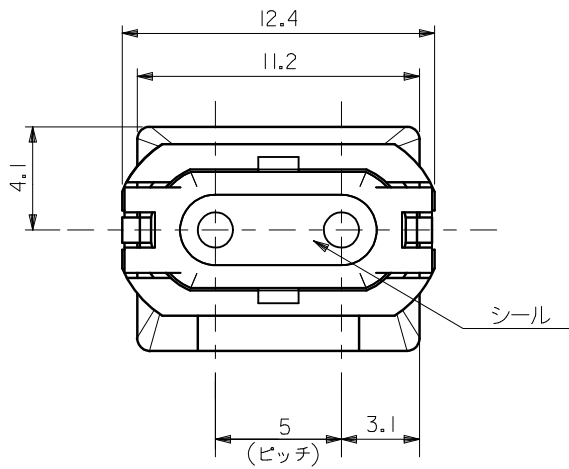
52116Series

Mates With

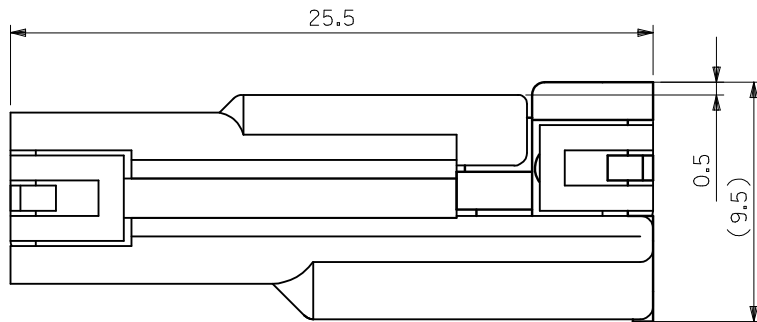
52117

Use With

50038



- 1.適合ターミナル: 50038-8*00
APPLICABLE TERMINAL: 50038-8*00
- 2.材料
MATERIAL
キャップ: ポリエステル(ガラス入り)
CAP: POLYESTER(GLASS FILLED)
ハウジング: ポリエステル(ガラス入り)
HOUSING: POLYESTER(GLASS FILLED)
シール: シリコンゴム
SEAL: SILICONE RUBBER
- 3.嵌合相手: 52117-02**
MATE WITH: 52117-02**
- 4.表の色はハウジング色を表す.
HOUSING COLOR IS SHOWN IN CHART
- 5.ELV及びRoHS適合品
ELV AND RoHS COMPLIANT



嵌合状態図
FULLY MATED CONDITION

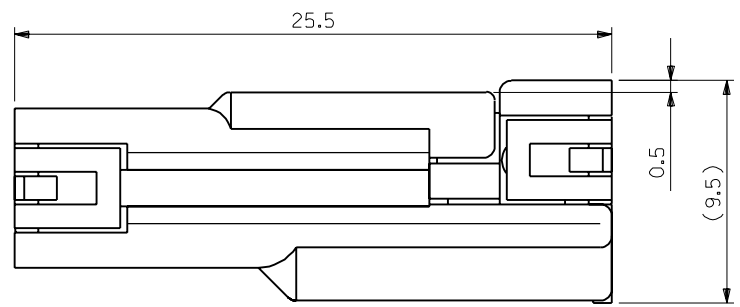
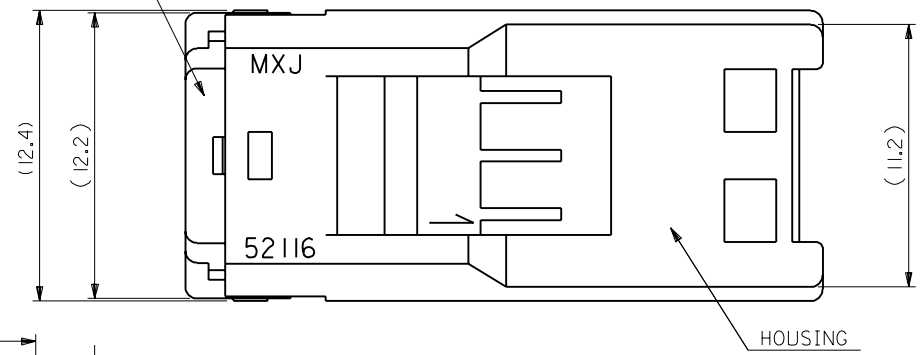
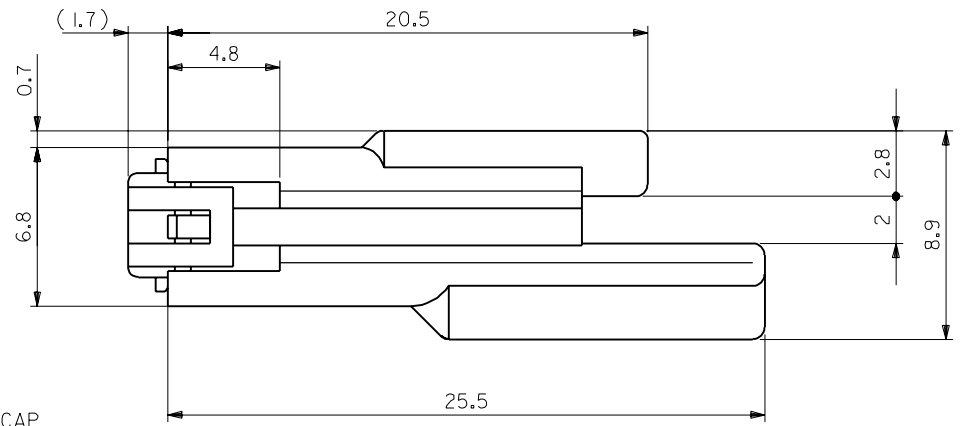
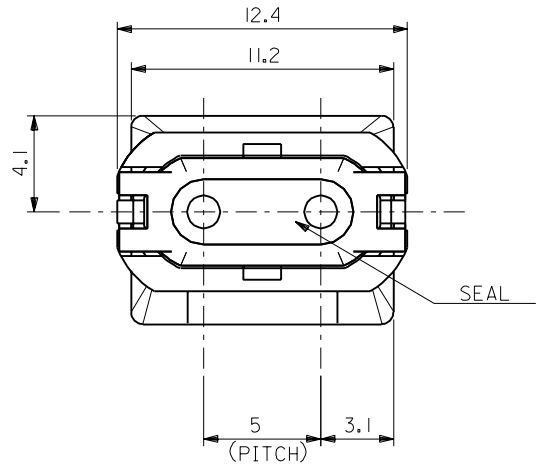
AVSS0.3, AWG#20-22	白 WHITE	52116-0243
AVS0.3, AWG#20-22	赤 RED	52116-0242
AVS0.3, AWG#20-22	黒 BLACK	52116-0241
AVS0.3, AWG#20-22	白 WHITE	52116-0240
適応電線範囲 APPLICABLE WIRE RANGE		色 COLOR ENG. NO.

REVISED EC NO: JTR2009-0109 DRWN:SHIBATA 2009/03/31 CHKD:TAITO 2009/03/31 APPR:AKANEHIGE 2009/04/03	GENERAL TOLERANCES (UNLESS SPECIFIED)		DIMENSION STYLE MM ONLY		SCALE 5:1	DESIGN UNITS METRIC	THIRD ANGLE PROJECTION
	10 UNDER	±0.2	DRAWN BY Y. ASHIZAWA	DATE 1988/7/8	TITLE 2.5 SPLASH PROOF CONN. PLUG HSG ASSY W/POSITIVE LOCK		
	10 OVER 30 UNDER	±0.25	CHECKED BY M. SAKANO	DATE 1988/7/8	MOLEX INCORPORATED		
	30 OVER	±0.3	APPROVED BY M. ENOMOTO	DATE 1988/7/8	DOCUMENT NO. SD-52116-02**	SHEET NO. 1 OF 1	
	ANGULAR ±3 °	DRAFT WHERE APPLICABLE MUST REMAIN WITHIN DIMENSIONS		SEE CHART			
		THIS DRAWING CONTAINS INFORMATION THAT IS PROPRIETARY TO MOLEX INCORPORATED AND SHOULD NOT BE USED WITHOUT WRITTEN PERMISSION					

ENG. NO. SD-52116-02**

EDP NO.

MM DIMENSIONS IN METRIC DO NOT SCALE DRAWING



FULLY MATED CONDETION

- NOTES**
- ACCEPTS CRIMP TERMINAL:50038-8*00
 - MATE'L :
 CAP ;POLYESTER(15%G.F.)
 HOUSING;POLYESTER(15%G.F.)
 SEAL ;SILICONE
 - MATES WITH:52117-02**
 - COLOR IN THE CHART INDICATES HOUSING COLOR

AVSO.3, AWG*20-22	RED	52116-0242
AVSO.3, AWG*20-22	BLACK	52116-0241
AVSO.3, AWG*20-22	WHITE	52116-0240
WIRE RANGE	COLOR	ENG. NO.

材料 MATERIAL		SEE NOTES	molex MOLEX-JAPAN CO.,LTD. 日本モレックス株式会社	
仕上げ FINISH		//	EDP. NO. //	
適用電線範囲 WIRE RANGE		SEE CHART	ENG. NO.	REV A
被覆外径 INS. RANGE		φ1.8-1.9	SD-52116-02**	
DRAWN BY 7/8/88 Y.ASHIZAWA		CHK'D BY M.SAKANO	TITLE 名称 2.5 SPLASH PROOF CONN. PLUG HS'G ASS'Y W/POSITIVE LOCK	
APP'D BY M.ENOMOTO		尺度 SCALE 5-1		
角度 ANGLE	±3°			
30以上 OVER	+0.3	A	REVISED (J9021B)	3/16/89
10以上 30未満 UNDER	+0.25	O	RELEASED(J80600)	7/8/88
10未満 UNDER	+0.2	記号 LTR	変更内容 REVISION RECORD	DR. CHK. DATE
一般公差 GENERAL TOLERANCES		REVISE ONLY ON CAD SYSTEM		

THIS DRAWING CONTAINS INFORMATION THAT IS PROPRIETARY TO MOLEX(JAPAN) AND SHOULD NOT BE USED WITHOUT WRITTEN PERMISSION
 本図面は日本モレックス(株)の所有する情報を含むもので 当社の許可なく複製を禁止する。

MXJ-8