

PLEASE CHECK WWW.MOLEX.COM FOR LATEST PART INFORMATION

Part Number: [0850170359](#)
Status: **Active**
Overview: [din_41612](#)
Description: 2.54mm (.100") Pitch DIN 41612/EIC 603-2 Mixed Layout Connector, Male Style M(Hybrid type), Inverse Press-Fit, 1µm (40µ") Gold (Au) Selective, 48 Circuits, Lead Free

Documents:

[3D Model](#) [Product Specification PS-85013-0002 \(PDF\)](#)
[Drawing \(PDF\)](#) [RoHS Certificate of Compliance \(PDF\)](#)

Agency Certification

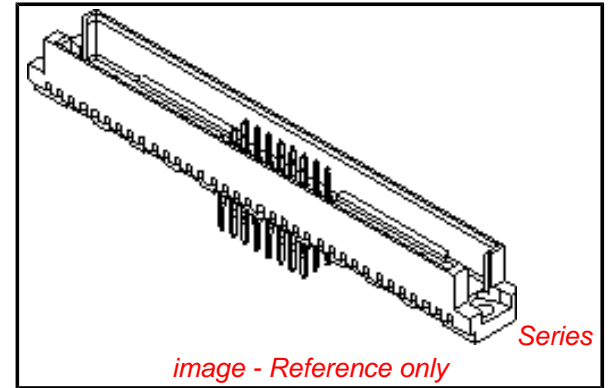
CSA LR19980
 UL E29179

General

Product Family Backplane Connectors
 Series [85017](#)
 Application Backplane
 Comments Mixed Layout
 Component Type PCB Header
 Overview [din_41612](#)
 Product Name IEC 603-2/DIN 41612
 Style M

Physical

Circuits (Loaded) 48
 Circuits (maximum) 48
 Circuits Detail 42 Signal , 6 Power
 Color - Resin Gray
 Durability (mating cycles max) 500
 First Mate / Last Break No
 Flammability 94V-0
 Guide to Mating Part No
 Keying to Mating Part Yes
 Material - Metal Phosphor Bronze
 Material - Plating Mating Unplated
 Material - Plating Termination Unplated
 Material - Resin Polyester
 Number of Columns 16
 Number of Pairs Open Pin Field
 Number of Rows 3
 Orientation Vertical
 PC Tail Length (in) 0.228 In
 PC Tail Length (mm) 5.80 mm
 PCB Locator No
 PCB Retention Yes
 PCB Thickness Recommended (in) 0.062 In
 PCB Thickness Recommended (mm) 1.60 mm
 Packaging Type Tray
 Pitch - Mating Interface (in) 0.100 In
 Pitch - Mating Interface (mm) 2.54 mm
 Pitch - Term. Interface (in) 0.100 In
 Pitch - Term. Interface (mm) 2.54 mm
 Polarized to PCB No
 Stackable Yes



EU RoHS

**ELV and RoHS
 Compliant**
REACH SVHC
 Not Reviewed
**Halogen-Free
 Status**

China RoHS



**Need more information on product
 environmental compliance?**

Email productcompliance@molex.com
 For a multiple part number RoHS Certificate of
 Compliance, [click here](#)

Please visit the [Contact Us](#) section for any
 non-product compliance questions.

Search Parts in this Series

[85017Series](#)

Mates With

[85048](#) Straight Female Style M Receptacle.
[85056](#) Straight Female Style M "inverse"
 Receptacle

Use With

[85023](#) DIN 41612 Coaxial Contact

Surface Mount Compatible (SMC)	No
Temperature Range - Operating	-55°C to +125°C
Termination Interface: Style	Through Hole - Compliant Pin

Electrical

Current - Maximum per Contact	1.5A
Data Rate	622.0 Mbps
Voltage - Maximum	250V AC (RMS)

Material Info

Reference - Drawing Numbers

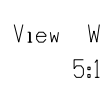
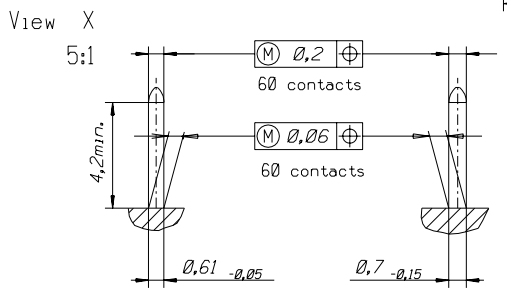
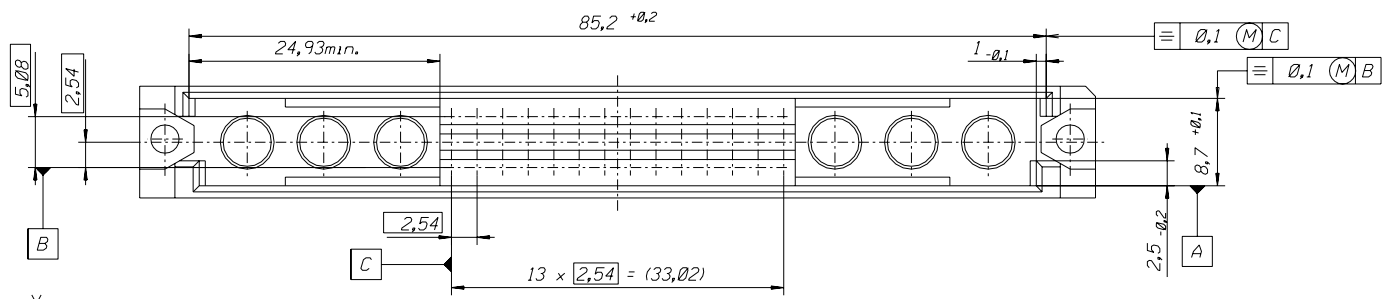
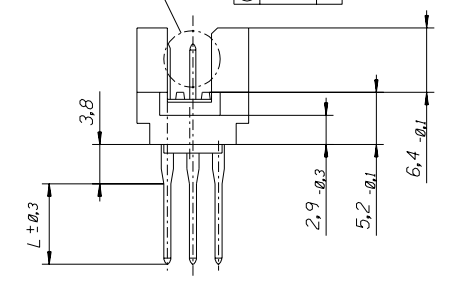
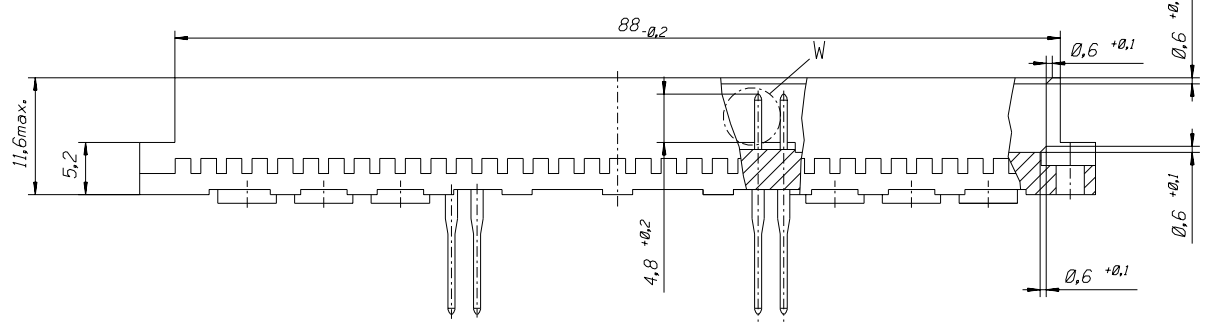
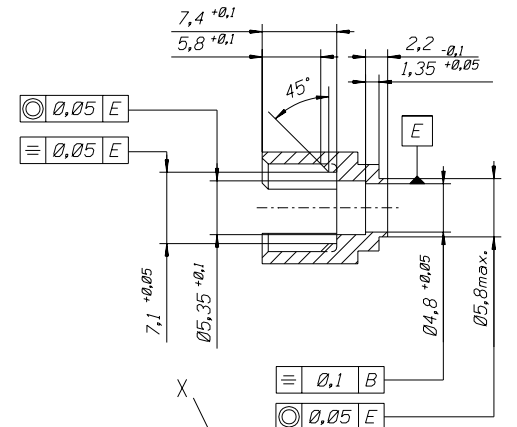
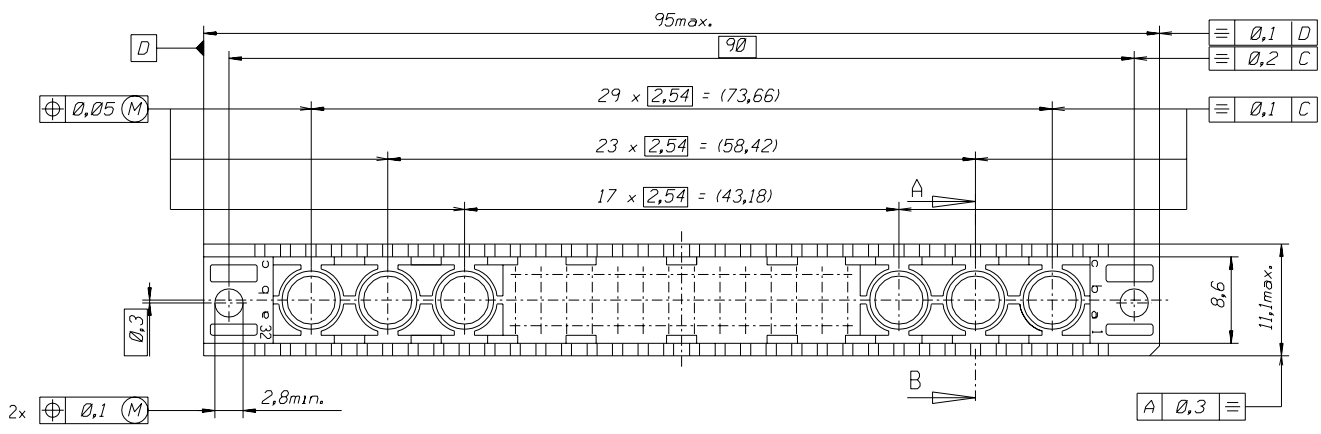
Packaging Specification	PK-85017-001
Product Specification	PS-85013-0002
Sales Drawing	603-6093-24, SD-85017-004

This document was generated on 05/17/2010

PLEASE CHECK WWW.MOLEX.COM FOR LATEST PART INFORMATION

PART NO.
DWG. NO.

Section A-B
(without contacts)



FIRST ANGLE PROJECTION REVISE ONLY ON CAD SYSTEM SH. REV.

REVISIONS FOR PREVIOUS REVISIONS SEE WMT LIST	UNLESS OTHERWISE SPECIFIED TOLERANCES: ANGULAR $\pm 2'$	DRWG BY Ca	SIGN	CADCAM PROJECT NAME 60393241 dgn	THIS DRAWING CONTAINS INFORMATION THAT IS PROPRIETARY TO MOLEX INC. & SHOULD NOT BE USED WITHOUT WRITTEN PERMISSION
	INCH	CHK'D BY KN	SIGN	TITLE 42 pos. Male connector DIN 41612 style M (C-Pin) inverted / Dimensions	
	METRIC	APP'D BY	SIGN	MOLEX MOLEX EUROPE	SHEET NO. DATE 1 OF 3 93/05/04
	DRAFT WHERE APPLICABLE MUST REMAIN WITHIN DIMENSIONS	SCALE 2:1		PART NO. see sh. no. 2 of 3	DWG NO. 603-6093-24
DESIGN DIMENSION <input type="checkbox"/> MM <input type="checkbox"/> IN.	EQUIVALENT DIMENSION <input type="checkbox"/> MM <input type="checkbox"/> IN.	IF TWO DIMENSIONS ARE SHOWN THE UPPER IS THE DESIGN DIMENSION, LOWER IS SECONDARY			