

PLEASE CHECK WWW.MOLEX.COM FOR LATEST PART INFORMATION

Part Number: [0923150407](#)
Status: **Active**
Overview: [picoflex](#)
Description: Picoflex® PF-50 IDT-to-IDT, 4 Circuits, 0.07m (2.76") Length

Documents:

[3D Model](#) [Product Specification PS-99020-0011 \(PDF\)](#)
[Drawing \(PDF\)](#) [RoHS Certificate of Compliance \(PDF\)](#)

General

| | |
|------------------------|--------------------------|
| Product Family | Cable Assemblies |
| Series | 92315 |
| Connector to Connector | Picoflex® IDT-to-IDT |
| Overview | picoflex |
| Product Name | Picoflex® |

Physical

| | |
|--------------------------------|-------------------|
| Cable Length | 0.07m (2.76") |
| Circuits (Loaded) | 4 |
| Color - Resin | Natural |
| Gender | Female-Female |
| Lock to Mating Part | None |
| Material - Metal | Phosphor Bronze |
| Material - Plating Mating | Tin |
| Material - Plating Termination | Tin |
| Material - Resin | Polyester |
| Packaging Type | Bag |
| Pitch - Mating Interface (in) | 0.050 In |
| Pitch - Mating Interface (mm) | 1.27 mm |
| Plating min: Mating (µin) | 80.00 |
| Plating min: Mating (µm) | 2.000 |
| Plating min: Termination (µin) | 80.00 |
| Plating min: Termination (µm) | 2.00 |
| Single Ended | No |
| Termination Interface: Style | IDT or Pierce |
| Waterproof / Dustproof | No |
| Wire Insulation Diameter | N/A |
| Wire Size AWG | 28 |
| Wire/Cable Type | PVC, Ribbon Cable |

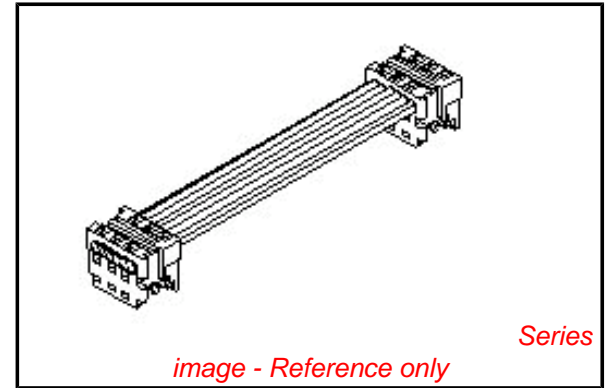
Electrical

| | |
|-------------------------------|------|
| Current - Maximum per Contact | 1.2A |
| Shielded | No |
| Voltage - Maximum | 250V |

Material Info

Reference - Drawing Numbers

| | |
|-----------------------|---------------|
| Product Specification | PS-99020-0011 |
| Sales Drawing | SD-92315-001 |



EU RoHS

**ELV and RoHS
Compliant**
**REACH SVHC
Contains SVHC: No**
**Halogen-Free
Status**

China RoHS



Not Reviewed

**Need more information on product
environmental compliance?**

Email productcompliance@molex.com
 For a multiple part number RoHS Certificate of
 Compliance, [click here](#)

Please visit the [Contact Us](#) section for any
 non-product compliance questions.

Search Parts in this Series

[92315Series](#)

Mates With

Picoflex® PF-50 Header [90325](#) , [90800](#) ,
[90779](#) , [90715](#) , [90814](#)

PART NO. SEE CHART
 DWG. NO. SD-92315-001



| 90327 CONNECTOR | |
|-----------------|-------------|
| CIRCUIT SIZE | DIMENSION W |
| 4 | 7.59 |
| 6 | 10.13 |
| 8 | 12.67 |
| 10 | 15.21 |
| 12 | 17.75 |
| 14 | 20.29 |
| 16 | 22.83 |
| 18 | 25.37 |
| 20 | 27.91 |
| 22 | 30.45 |
| 24 | 32.99 |
| 26 | 35.53 |

CABLE DETAILS:
 28 AWG , 1.27 MM PITCH , 7 STRANDS WITH TINNED COPPER ,
 GREY PVC INSULATION WITH A COLOURED POLARITY STRIPE
 INDICATING CIRCUIT NO. 1, UL 2651.

ORDERING INFORMATION

92315-****
 CIRCUIT SIZE
 LENGTH L IN CENTIMETRES
 LENGTHS AVAILABLE FROM 6 CM TO 120 CM
 e.g. 92315-1208 = 12 CIRCUIT
 WITH LENGTH L OF 8 CM.

NOTE : FOR LENGTHS OF
 100 CM , THE PART NO. IS 92315-**01
 105 CM , THE PART NO. IS 92315-**02
 110 CM , THE PART NO. IS 92315-**03
 115 CM , THE PART NO. IS 92315-**04
 120 CM , THE PART NO. IS 92315-**05

NOTES:

1. SEE PRODUCT SPECIFICATIONS PS-99020-0011.
2. SEE TERMINATION SPECIFICATION ES-99033-0001.
3. SEE CABLE SPECIFICATION ES-99027-0006.
4. HARNESSES WILL BE 100% ELECTRICALLY TESTED FOR SHORTS AND DISCONTINUITIES.

| | | | | | | | | | | |
|---|--|---|----------------------------|------------------------------|--|--|---------------------------------------|--|---------------------------|-----------------------------|
| ADDED OPTION EC NO. 2002-1088 DRAWN: MKUBOVCI 02/06/07 CHK: / / / / APPR: / / / / | QUALITY SYMBOLS MAJOR = CRITICAL = | GENERAL TOLERANCES: (UNLESS SPECIFIED) | | SCALE 4 : 1 | DESIGN UNITS <input checked="" type="checkbox"/> mm <input type="checkbox"/> INCH | DIMENSIONS: <input type="checkbox"/> mm <input type="checkbox"/> INCH <input checked="" type="checkbox"/> mm ONLY | SHT REV | | | |
| | | DRAWN BY & DATE MCURRAN 98/06/19 | THIRD ANGLE PROJECTION | | TITLE: PICOFLEX IDT TO IDT STANDARD ASSEMBLIES | | CHECKED BY & DATE AMcCANN 98/06/19 | APPROVED BY & DATE MWILHITE 98/06/19 | MATERIAL NO. SEE CHART | DRAWING NO. SD-92315-001 |
| REV B | DESCRIPTION B | ANGULAR: ± 1/2 ° | | CAD FILENAME S92315X1.DGN | | MOLEX INCORPORATED | | THIS DRAWING CONTAINS INFORMATION THAT IS PROPRIETARY TO MOLEX INCORPORATED AND SHOULD NOT BE USED WITHOUT WRITTEN PERMISSION. | | SIZE B |