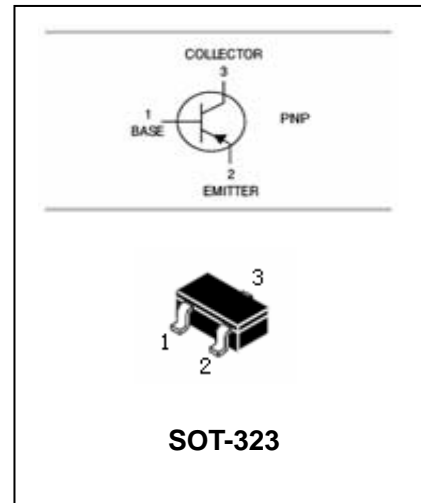


PNP Silicon Epitaxial Planar Transistor

2SA1576AW

FEATURES

- Power dissipation.($P_C=200\text{mW}$)
- Excellent H_{FE} Linearity.
- Complements the 2SC4081.



APPLICATIONS

- General purpose application.

ORDERING INFORMATION

| Type No. | Marking | Package Code |
|-----------|----------|--------------|
| 2SA1576AW | FQ/FR/FS | SOT-323 |

MAXIMUM RATING @ $T_a=25^\circ\text{C}$ unless otherwise specified

| Symbol | Parameter | Value | Units |
|----------------|----------------------------------|---------|------------------|
| V_{CBO} | Collector-Base Voltage | -60 | V |
| V_{CEO} | Collector-Emitter Voltage | -50 | V |
| V_{EBO} | Emitter-Base Voltage | -6 | V |
| I_C | Collector Current -Continuous | -150 | mA |
| P_C | Collector Dissipation | 200 | mW |
| T_j, T_{stg} | Junction and Storage Temperature | -55~150 | $^\circ\text{C}$ |

PNP Silicon Epitaxial Planar Transistor**2SA1576AW****ELECTRICAL CHARACTERISTICS @ Ta=25°C unless otherwise specified**

| Parameter | Symbol | Test conditions | MIN | TYP | MAX | UNIT |
|--------------------------------------|---------------|--------------------------------------|-----|-----|------|---------|
| Collector-base breakdown voltage | $V_{(BR)CBO}$ | $I_C=-50\mu A, I_E=0$ | -60 | | | V |
| Collector-emitter breakdown voltage | $V_{(BR)CEO}$ | $I_C=-1mA, I_B=0$ | -50 | | | V |
| Emitter-base breakdown voltage | $V_{(BR)EBO}$ | $I_E=-50\mu A, I_C=0$ | -6 | | | V |
| Collector cut-off current | I_{CBO} | $V_{CB}=-60V, I_E=0$ | | | -0.1 | μA |
| Emitter cut-off current | I_{EBO} | $V_{EB}=-6V, I_C=0$ | | | -0.1 | μA |
| DC current gain | h_{FE} | $V_{CE}=-6V, I_C=-1mA$ | 120 | | 560 | |
| Collector-emitter saturation voltage | $V_{CE(sat)}$ | $I_C=-50mA, I_B=-5mA$ | | | -0.5 | V |
| Transition frequency | f_T | $V_{CE}=-12V, I_C=-2mA$ $f=30MHz$ | 140 | | | MHz |
| Collector output capacitance | C_{ob} | $V_{CB}=-12V, I_E=0, f=1MHz$ | | 4 | 5 | pF |

CLASSIFICATION OF h_{FE}

| Rank | Q | R | S |
|---------|---------|---------|---------|
| Range | 120-270 | 180-390 | 270-560 |
| marking | FQ | FR | FS |

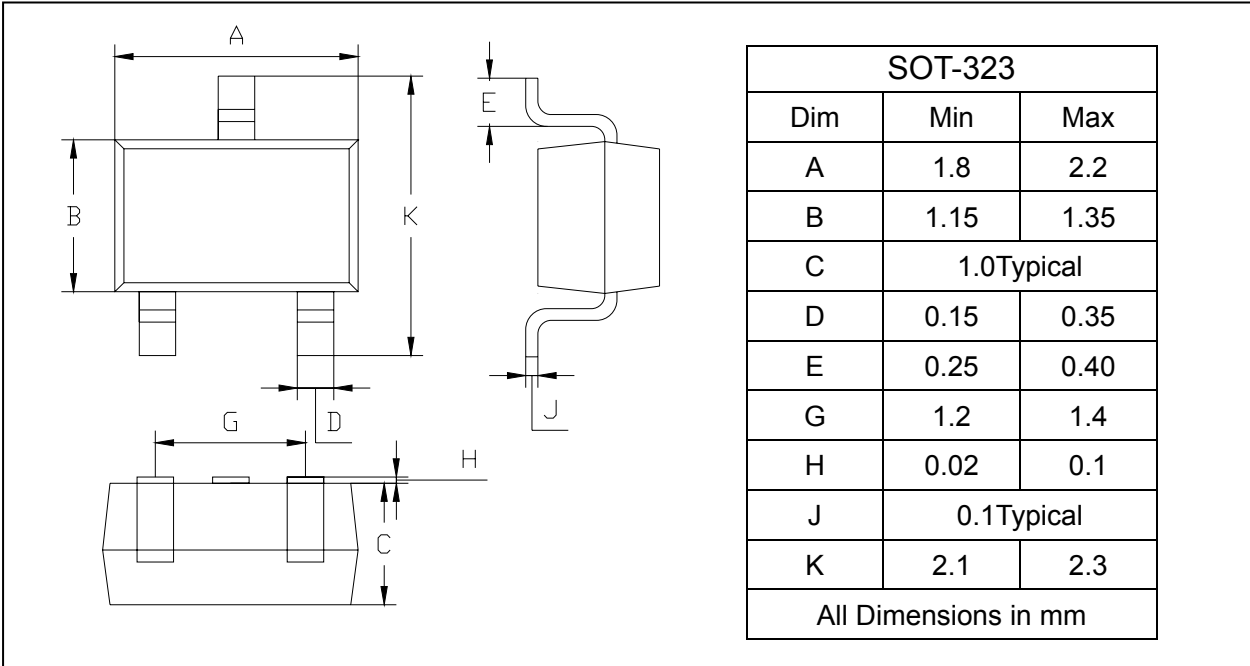
PNP Silicon Epitaxial Planar Transistor

2SA1576AW

PACKAGE OUTLINE

Plastic surface mounted package

SOT-323



PACKAGE INFORMATION

| Device | Package | Shipping |
|-----------|---------|----------------|
| 2SA1576AW | SOT-323 | 3000/Tape&Reel |