

PLEASE CHECK WWW.MOLEX.COM FOR LATEST PART INFORMATION

Part Number: [0752370103](#)
Status: **Active**
Overview: [gbx_backplane_connector_system](#)
Description: 1.85mm by 1.85mm (.073 by .073") Pitch 5-Pair GbX® Backplane Connector System, Open Header, 100 Circuits, Gold (Au) 0.76µm (30µ"), Pin Length 3.55mm (.140")

Documents:

[Drawing \(PDF\)](#) [RoHS Certificate of Compliance \(PDF\)](#)
[Product Specification PS-75221-999 \(PDF\)](#)

Agency Certification

UL E29179

General

Product Family Backplane Connectors
 Series [75237](#)
 Application Backplane
 Application Tooling Documents http://www.molex.com/pdm_docs/ats/TM-622022099.pdf>Tooling Manual
 Comments Open Header
 Component Type PCB Header
 Overview [gbx_backplane_connector_system](#)
 Product Name GbX®
 Style N/A

Physical

Circuits (Loaded) 100
 Circuits (maximum) 100
 Color - Resin Gray (Dark)
 Durability (mating cycles max) 200
 First Mate / Last Break No
 Flammability 94V-0
 Guide to Mating Part No
 Keying to Mating Part None
 Material - Metal High Performance Alloy (HPA)
 Material - Plating Mating Gold
 Material - Plating Termination Tin-Lead
 Material - Resin High Temperature Thermoplastic
 Number of Columns 10
 Number of Pairs 5
 Number of Rows 10
 Orientation Vertical
 PC Tail Length (in) 0.091 In
 PC Tail Length (mm) 2.30 mm
 PCB Locator No
 PCB Retention Yes
 PCB Thickness Recommended (in) 0.063 In
 PCB Thickness Recommended (mm) 1.60 mm
 Packaging Type Tray
 Pitch - Mating Interface (in) 0.073 In
 Pitch - Mating Interface (mm) 1.85 mm
 Pitch - Term. Interface (in) 0.073 In
 Pitch - Term. Interface (mm) 1.85 mm
 Plating min: Mating (µin) 30
 Plating min: Mating (µm) 0.76
 Plating min: Termination (µin) 30

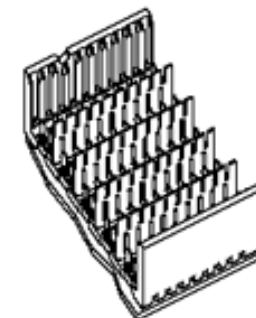


image - Reference only

Series

EU RoHS

RoHS Compliant by Exemption

REACH SVHC

Not Reviewed

Halogen-Free

Status

Not Reviewed

China RoHS



Need more information on product environmental compliance?

Email productcompliance@molex.com
 For a multiple part number RoHS Certificate of Compliance, [click here](#)

Please visit the [Contact Us](#) section for any non-product compliance questions.

Search Parts in this Series

[75237Series](#)

Mates With

[75360 GbX® Daughtercard](#)

Application Tooling | FAQ

Tooling specifications and manuals are found by selecting the products below. Crimp Height Specifications are then contained in the Application Tooling Specification document.

Global

| Description | Product # |
|----------------------|----------------------------|
| Insertion Tool, GbX® | 0622022030 |
| 5 pair by 10 wide | |
| Insertion Tool, GbX® | 0622022040 |
| 5 pair by 20 wide | |
| GbX® Single Pin | 0622022090 |
| Repair Tool | |
| GbX® Shield | 0622022100 |
| Removal Tool | |

| | |
|--------------------------------|------------------------------|
| Plating min: Termination (µm) | 0.76 |
| Polarized to PCB | No |
| Stackable | No |
| Surface Mount Compatible (SMC) | Yes |
| Temperature Range - Operating | 105°C |
| Termination Interface: Style | Through Hole - Compliant Pin |

Electrical

| | |
|-------------------------------|---------------------|
| Current - Maximum per Contact | 1A |
| Data Rate | 8.0 Gbps |
| Real Signals (per 25mm) | 135 |
| Shield Type | Ground Plane Shield |
| Shielded | Yes |
| Voltage - Maximum | 120V AC (RMS)/DC |

Material Info

Reference - Drawing Numbers

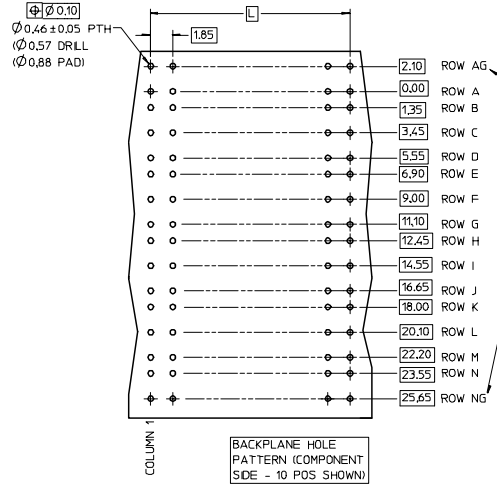
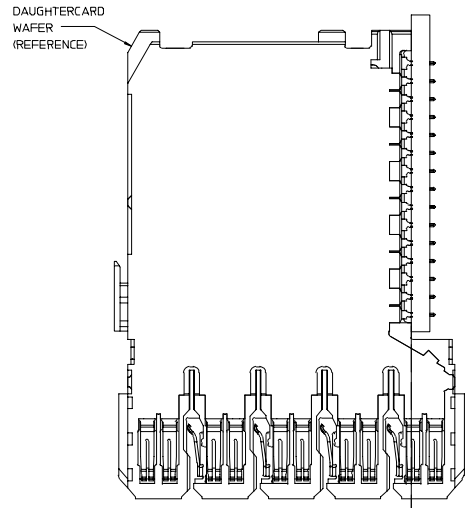
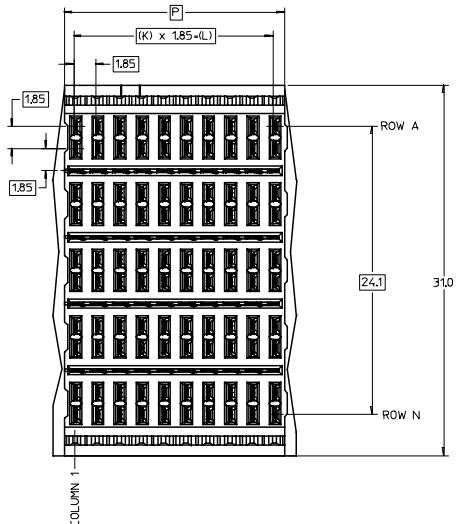
| | |
|-------------------------|--------------|
| Packaging Specification | PK-70873-565 |
| Product Specification | PS-75221-999 |
| Sales Drawing | SD-75237-010 |

GbX is a registered trademark of Amphenol Corporation.

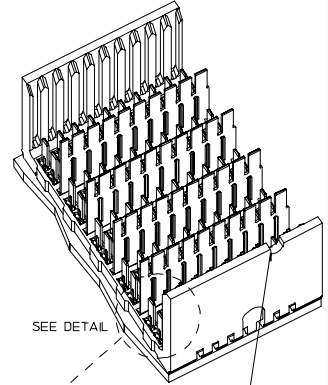
This document was generated on 05/17/2010

PLEASE CHECK WWW.MOLEX.COM FOR LATEST PART INFORMATION

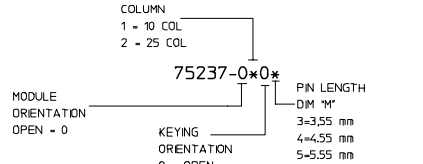
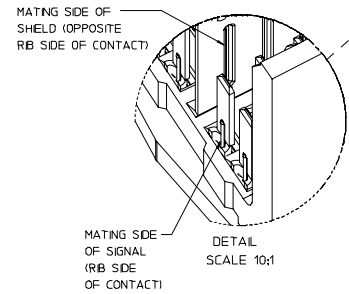
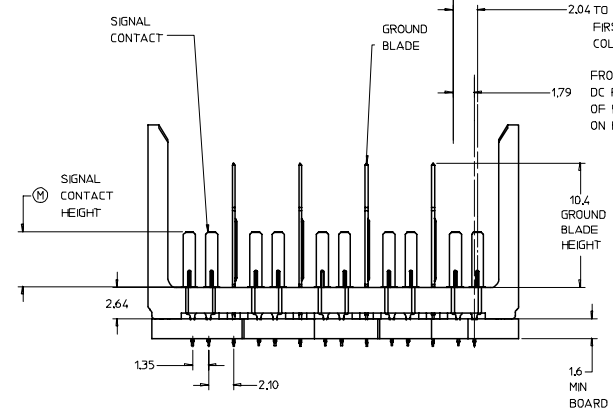
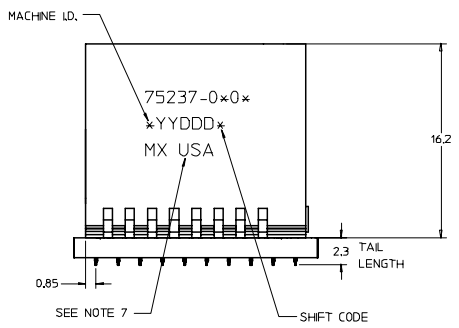
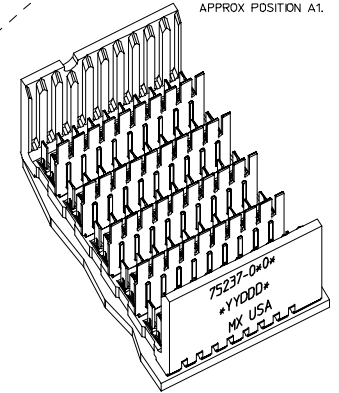
20 19 18 17 16 15 14 13 12 11 10 9 8 7 6 5 4 3 2 1



ROW AG & NG RECOMMENDED FOR ALL APPLICATIONS. THESE ROWS SHOULD BE CONNECTED TO GROUND.



NOTCH DESIGNATES APPROX POSITION A1.



| PART NUMBER TABLE | | | | |
|-------------------|----|-------|-------|---------------------------------|
| ASSY PART NO. | K | L | P | TOTAL NO. OF DIFFERENTIAL PAIRS |
| 75237-010* | 9 | 16.65 | 18.35 | 50 |
| 75237-020* | 24 | 44.40 | 46.10 | 125 |

- NOTES:
1. MATERIAL: HOUSING - LIQUID CRYSTAL POLYMER (LCP) GLASS-FILLED. UL 94V-0. COLOR - BLACK. SIGNAL CONTACT AND GROUND BLADE - HIGH PERFORMANCE COPPER ALLOY.
 2. FINISHES: SELECTIVE GOLD (Au) ON CONTACT AREA, SELECTIVE TIN/LEAD (Sn/Pb) ON PCB TAILS. NICKEL (Ni) OVERALL.
 3. THIS PART CONFORMS TO MOLEX PRODUCT SPECIFICATION PS-75221-999.
 4. FOR MIXED CONTACT MATING LENGTHS CONSULT MOLEX FOR AVAILABILITY. CONTACT PAIRS MUST BE THE SAME LENGTH.
 5. FOR SPECIFIC PART NUMBER AND MATING INFORMATION PLEASE REFER TO CHART.
 6. PACKAGE PER PK-70873-545.
 7. EITHER MARK PART NUMBER AND DATE CODE APPROXIMATELY WHERE SHOWN, ON EITHER SIDE OF THE PART OR PLACE A LABEL ON THE TUBE

| | | | | | | |
|-------------------------------------------------------------------------------------------------------------------------------|---------------------------|----------------------------------------------------------------------------------------------------------------------------------------------------------------------------------------------------------|-------------------------|-------------------------------------------------------------|------------------------|---------------------------|
| REVISED (MINOR) EC NO: UCP 2006-0268 DRWN: JINGHAM 2005/08/12 CHKD: 2005/08/12 APPR: CBIXLER 2005/08/15 A1 | QUALITY SYMBOLS 0 0 | GENERAL TOLERANCES (UNLESS SPECIFIED) 4 PLACES ±--- ±--- 3 PLACES ±--- ±--- 2 PLACES ±--- ±--- 1 PLACE ±--- ±--- ANGULAR ± 2 ° DRAFT WHERE APPLICABLE MUST REMAIN WITHIN DIMENSIONS | SCALE 5:1 | DESIGN UNITS METRIC | THIRD ANGLE PROJECTION | REVISE ON CAD ONLY |
| | | | DIMENSION STYLE MM ONLY | TITLE GBX 5-PAIR OPEN END BACKPLANE SALES ASSEMBLY | MATERIAL NO. SEE CHART | DOCUMENT NO. SD-75237-010 |
| THIS DRAWING CONTAINS INFORMATION THAT IS PROPRIETARY TO MOLEX INCORPORATED AND SHOULD NOT BE USED WITHOUT WRITTEN PERMISSION | | | | | | |

19 18 17 16 15 14 13 12 11 10 9 8 7 6 5 4 3 2 1