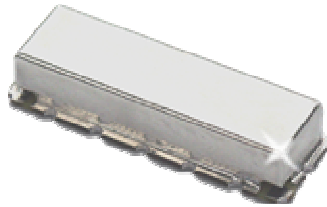


# KR Electronics 2551 Bandpass Filter

## General Description

KR 2551 is a 35 MHz surface mount bandpass filter. Other center frequencies and bandwidths available. Please consult the factory.

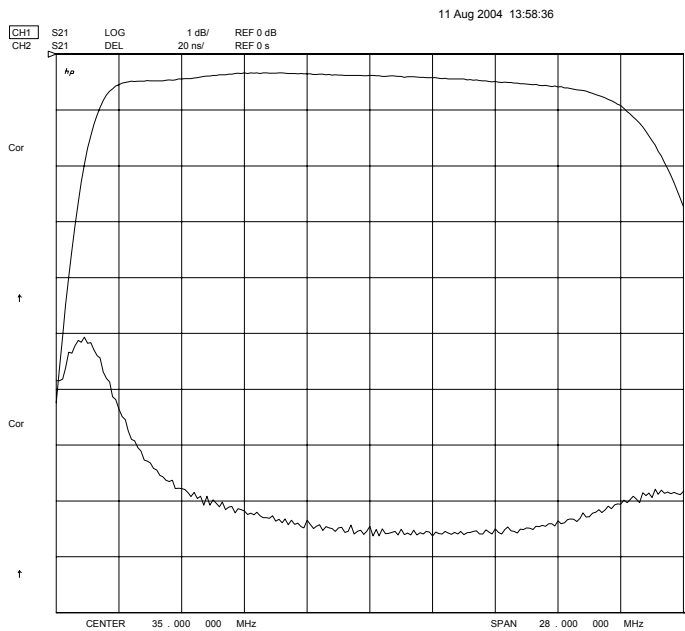


## Features

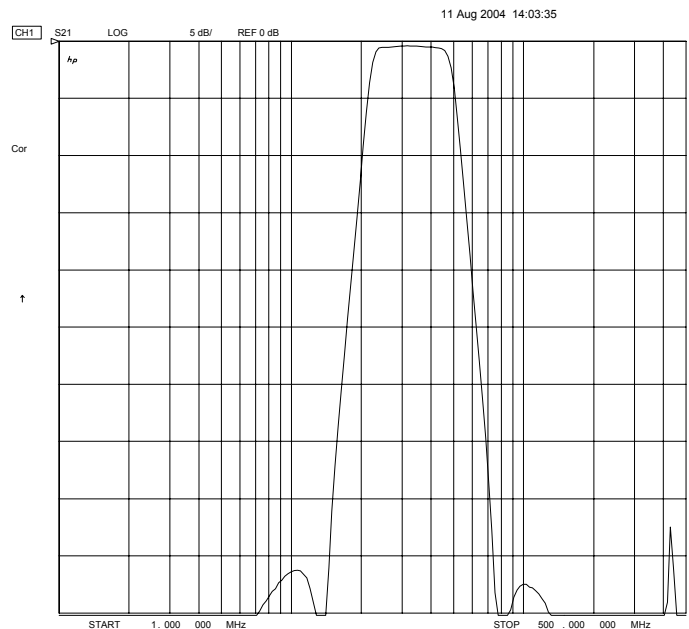
- Surface Mount Package
- Sharp Transition to Stopband
- 22 MHz min 1 dB Bandwidth
- 50  $\Omega$  Source and Load

## Typical Performance

**Passband Amplitude & Group Delay**  
(1 dB/div and 20 nsec/div)



**Overall Response**  
(5 dB/div)



KR Electronics, Inc.  
91 Avenel Street  
Avenel, NJ 07001

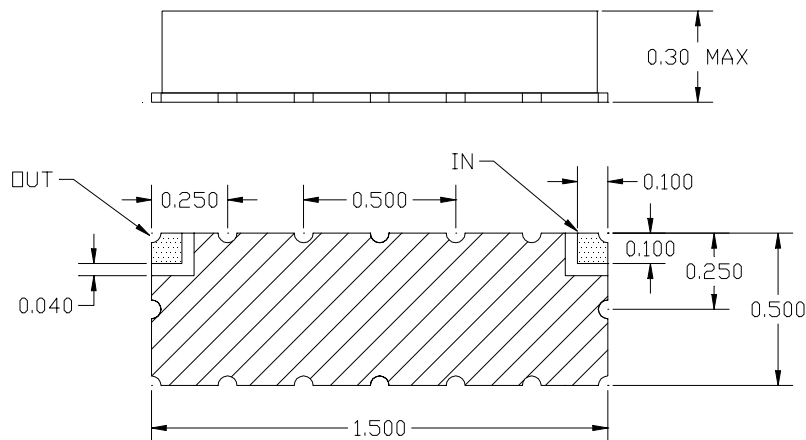
Web [www.krfilters.com](http://www.krfilters.com)  
Email [sales@krfilters.com](mailto:sales@krfilters.com)  
Phone (732) 636-1900  
Fax (732) 636-1982

# KR Electronics 2551 Bandpass

## Specifications

Parameter	Specification
Filter type	Bandpass
Center Frequency	35 MHz
Insertion Loss	< 6 dB (< 1 dB typical)
Min 1 dB Bandwidth	22 MHz
Attenuation at 13.975 MHz & below	> 40 dB
Attenuation 76.475 MHz	> 40 dB
Source and Load	50 Ω

## Physical Dimensions



### Notes:

1. Surface mount package — Metal cover, open frame
2. Dimensions in inches
3. Use SN60 or SN63 solder during installation
4. If boards are cleaned after installation, units must be completely dried to remove any entrapped moisture that will effect electrical performance