

**PLEASE CHECK WWW.MOLEX.COM FOR LATEST PART INFORMATION**

**Part Number:** [0955032641](#)  
**Status:** **Active**  
**Overview:** [modular\\_plugs\\_jacks](#)  
**Description:** 6/4 JACK THROUGH HOLE NO KEY VERSION

**Documents:**

[3D Model](#) [Application Specification \(PDF\)](#)  
[Drawing \(PDF\)](#) [RoHS Certificate of Compliance \(PDF\)](#)

**Agency Certification**

UL E107635

**General**

Product Family Modular Jacks/Plugs  
 Series [95503](#)  
 Component Type PCB Jack  
 Magnetic No  
 Overview [modular\\_plugs\\_jacks](#)  
 Performance Category 3  
 Power over Ethernet (PoE) N/A  
 Product Name RJ11

**Physical**

Boot Color N/A  
 Color - Resin Black  
 Durability (mating cycles max) 1,000  
 Flammability 94V-0  
 Inverted / Top Latch No  
 Lightpipes/LEDs None  
 Material - Metal Brass  
 Material - Plating Mating Gold  
 Material - Plating Termination Tin  
 Material - Resin High Temperature Thermoplastic  
 Orientation Vertical (Top Entry)  
 PCB Locator Yes  
 PCB Retention Yes  
 PCB Thickness Recommended (in) 0.062 In  
 PCB Thickness Recommended (mm) 1.57 mm  
 Packaging Type Tray  
 Pitch - Mating Interface (in) 0.040 In  
 Pitch - Mating Interface (mm) 1.02 mm  
 Pitch - Term. Interface (in) 0.050 In  
 Pitch - Term. Interface (mm) 1.27 mm  
 Plating min: Mating (µin) 50.8  
 Plating min: Mating (µm) 1.27  
 Plating min: Termination (µin) 76  
 Plating min: Termination (µm) 1.9  
 Ports 1  
 Positions / Loaded Contacts 6/4  
 Surface Mount Compatible (SMC) Yes  
 Temperature Range - Operating -40°C to +80°C  
 Termination Interface: Style Through Hole  
 Waterproof / Dustproof No  
 Wire/Cable Type N/A

**Electrical**

**EU RoHS**  
**ELV and RoHS**  
**Compliant**  
**REACH SVHC**  
**Contains SVHC: No**  
**Halogen-Free**  
**Status**  
**Halogen-Free**

**China RoHS**



**Need more information on product environmental compliance?**

Email [productcompliance@molex.com](mailto:productcompliance@molex.com)  
 For a multiple part number RoHS Certificate of Compliance, [click here](#)

Please visit the [Contact Us](#) section for any non-product compliance questions.

**Search Parts in this Series**

[95503Series](#)

**Mates With**

FCC 68 Plugs

|                               |         |
|-------------------------------|---------|
| Current - Maximum per Contact | 1.5A    |
| Shielded                      | No      |
| Voltage - Maximum             | 125V DC |

**Solder Process Data**

|                                                |                        |
|------------------------------------------------|------------------------|
| Duration at Max. Process Temperature (seconds) | 5                      |
| Lead-free Process Capability                   | Wave Capable (TH only) |
| Max. Cycles at Max. Process Temperature        | 1                      |
| Process Temperature max. C                     | 260                    |

**Material Info****Reference - Drawing Numbers**

|                         |              |
|-------------------------|--------------|
| Packaging Specification | PK-95003     |
| Sales Drawing           | SD-95503-003 |
| Test Summary            | STR-1181     |

This document was generated on 06/07/2010

**PLEASE CHECK [WWW.MOLEX.COM](http://WWW.MOLEX.COM) FOR LATEST PART INFORMATION**

**NOTES :**

**1- MATERIAL:**

-HOUSING: LCP FIBER GLASS FILLED UL 94-V0  
COLOR BLACK.

-TERMINAL: TIN BRASS.

**PLATING 2:**

POST PLATE (0.00127-0.00152)/.000050-.000060 GOLD IN CONTACT AREA. (0.00190)/.000075 MIN. PURE TIN IN TAIL AREA BOTH OVER (0.00127)/.000050 MIN. NICKEL OVERALL.

**PLATING 7: ONLY ON REQUEST**

POST PLATE 0.00005/.000002 MIN GOLD OVER 0.000763 .000030 MIN PALLADIUM NICKEL IN CONTACT AREA.

0.00190/.000075 MIN PURE TIN IN TAIL AREA. BOTH OVER 0.00127/.000050 MIN NICKEL OVERALL:

2- JACK FOR MATING WITH F.C.C. 68 PLUGS  
90075 MOLEX SERIES.

3- PRODUCT SPECIFICATION PS-95503-001

4- PACKAGING SPECIFICATION PK-95003:

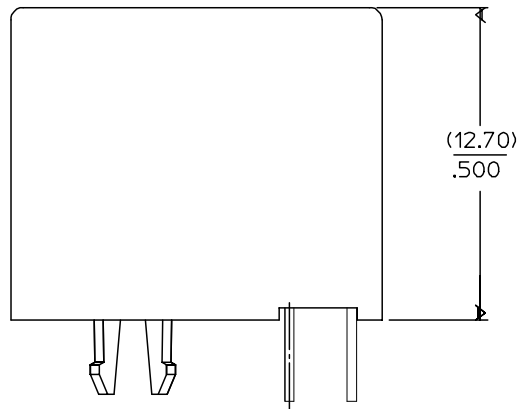
- STANDARD PACKAGING SHEET 1.

- TUBE PACKAGING FOR SMT VERSION SHEET 2.

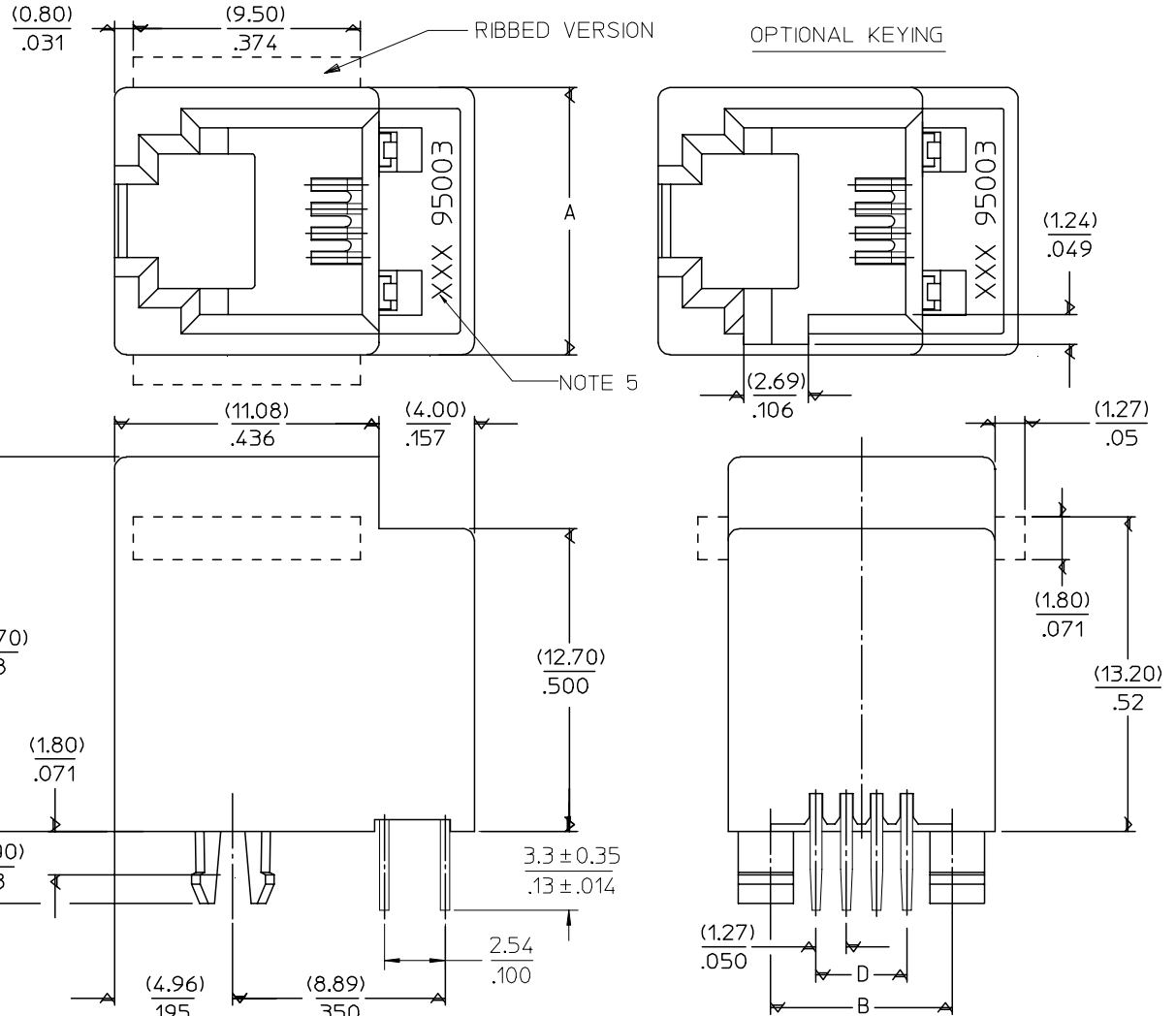
- TUBE PACKAGING FOR THROUGH HOLE VERSION SHEET 3.

5- MANUFACTURING I.D. CAN BE MXF, MG OR MXI.

| TYPE \ DIM. | POS. 4         | POS. 6         |                | POS. 8         |
|-------------|----------------|----------------|----------------|----------------|
|             | 4 CKTS.        | 4 CKTS.        | 6 CKTS.        | 8 CKTS.        |
| A           | (11.18) / .440 | (13.21) / .520 | (13.21) / .520 | (15.24) / .600 |
| B           | (7.62) / .300  | (10.16) / .400 | (10.16) / .400 | (11.43) / .450 |
| D           | (3.81) / .150  | (3.81) / .150  | (6.35) / .250  | (8.89) / .350  |



SHORT VERSION



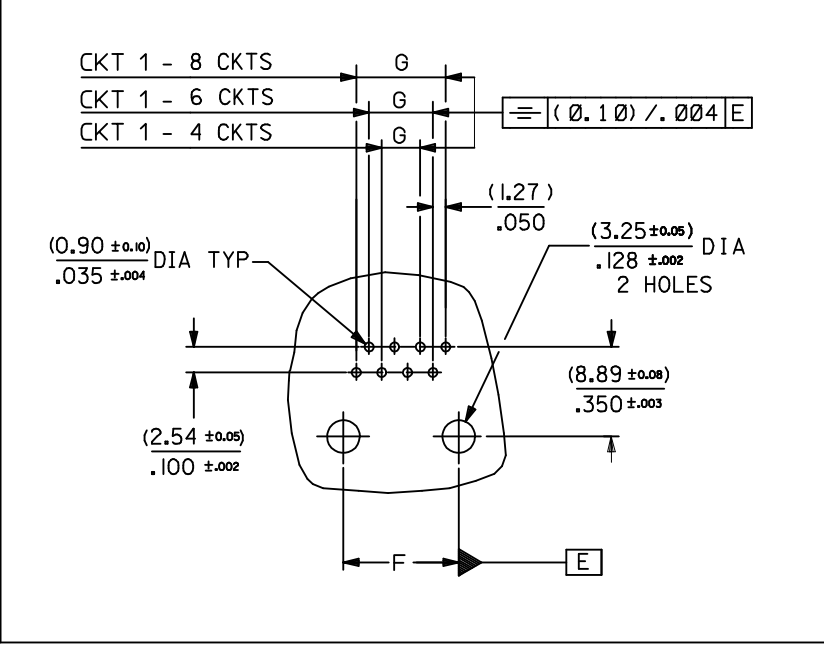
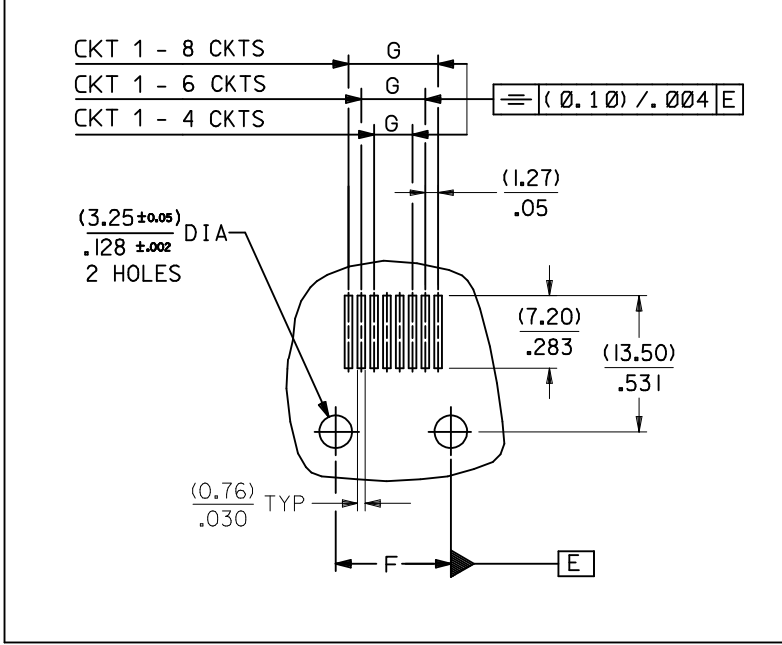
|                                                                            |                                                                                                                               |                                                                                                                                                                       |                                                                                                                                                       |                    |                        |                        |                                                            |
|----------------------------------------------------------------------------|-------------------------------------------------------------------------------------------------------------------------------|-----------------------------------------------------------------------------------------------------------------------------------------------------------------------|-------------------------------------------------------------------------------------------------------------------------------------------------------|--------------------|------------------------|------------------------|------------------------------------------------------------|
| ADDED TABLE<br>EC NO: E2008-0267<br>DRWN:DBRYNES<br>CHKD:<br>APPR:EDMAMONY | QUALITY SYMBOLS<br>▽=0<br>▽=0                                                                                                 | GENERAL TOLERANCES (UNLESS SPECIFIED)<br>mm INCH<br>4 PLACES ± --- ± ---<br>3 PLACES ± --- ± .006<br>2 PLACES ± 0.15 ± .010<br>1 PLACE ± 0.25 ± ---<br>ANGULAR ± .5 ° | DIMENSION STYLE<br>MM/IN<br>DRAWN BY DATE<br>TMARTIN 2005/06/15<br>CHECKED BY DATE<br>FCARABETTA 2005/06/15<br>APPROVED BY DATE<br>KNOLLER 2005/06/15 | SCALE<br>5:1       | DESIGN UNITS<br>METRIC | THIRD ANGLE PROJECTION |                                                            |
|                                                                            | DRAFT WHERE APPLICABLE MUST REMAIN WITHIN DIMENSIONS                                                                          |                                                                                                                                                                       |                                                                                                                                                       | MATERIAL NO.       | DOCUMENT NO.           | SHEET NO.              | TITLE<br>LOW PROFILE TOP ENTRY JACK (THROUGH HOLE VERSION) |
|                                                                            | SEE SHT 4,5                                                                                                                   |                                                                                                                                                                       |                                                                                                                                                       | MOLEX INCORPORATED | SD-95503-003           | 1 OF 5                 | MOLEX                                                      |
|                                                                            | THIS DRAWING CONTAINS INFORMATION THAT IS PROPRIETARY TO MOLEX INCORPORATED AND SHOULD NOT BE USED WITHOUT WRITTEN PERMISSION |                                                                                                                                                                       |                                                                                                                                                       |                    |                        |                        |                                                            |

| TYPE<br>DIM.                  | POS. 4        | POS. 6         |                | POS. 8         |
|-------------------------------|---------------|----------------|----------------|----------------|
|                               | 4 CKTS.       | 4 CKTS.        | 6 CKTS.        | 8 CKTS.        |
| F ( $\pm 0.05$ )/ $\pm 0.002$ | (7.62) / .300 | (10.16) / .400 | (10.16) / .400 | (11.43) / .450 |
| G ( $\pm 0.05$ )/ $\pm 0.002$ | (3.81) / .150 | (3.81) / .150  | (6.35) / .250  | (8.89) / .350  |

P.C.B MOUNTING PATTERNS - SEEN FROM COMPONENT SIDE

FOR SMT JACK (SURFACE MOUNT)

FOR STANDARD JACK (THROUGH HOLE)



|                                                                                                                |                 |             |
|----------------------------------------------------------------------------------------------------------------|-----------------|-------------|
| ARDED CKT 1<br>EC NO: E2010-0075<br>DRWN: DBYRNES 2009/08/13<br>CHKD: 2009/08/19<br>APPR: J WALLACE 2009/08/19 | QUALITY SYMBOLS | DESCRIPTION |
|                                                                                                                | $\nabla = 0$    |             |
|                                                                                                                | $\square = 0$   |             |
|                                                                                                                | REV             |             |

|                                                      |                        |            |
|------------------------------------------------------|------------------------|------------|
| GENERAL TOLERANCES (UNLESS SPECIFIED)                | mm                     | INCH       |
|                                                      | 4 PLACES $\pm$ ---     | $\pm$ ---  |
|                                                      | 3 PLACES $\pm$ ---     | $\pm .006$ |
|                                                      | 2 PLACES $\pm$ 0.15    | $\pm .010$ |
|                                                      | 1 PLACE $\pm$ 0.25     | $\pm$ ---  |
|                                                      | ANGULAR $\pm .5^\circ$ |            |
| DRAFT WHERE APPLICABLE MUST REMAIN WITHIN DIMENSIONS |                        |            |

|                 |                                                                                                                               |                      |              |                        |
|-----------------|-------------------------------------------------------------------------------------------------------------------------------|----------------------|--------------|------------------------|
| DIMENSION STYLE |                                                                                                                               | SCALE                | DESIGN UNITS | THIRD ANGLE PROJECTION |
| MM/IN           |                                                                                                                               | 1:1                  | METRIC       |                        |
| DRAWN BY        | DATE                                                                                                                          | TITLE                |              |                        |
| TMARTIN         | 2005/06/15                                                                                                                    | LOW PROFILE T/E JACK |              |                        |
| CHECKED BY      | DATE                                                                                                                          |                      |              |                        |
| FCARABETTA      | 2005/06/15                                                                                                                    |                      |              |                        |
| APPROVED BY     | DATE                                                                                                                          |                      |              |                        |
| KNOLLER         | 2005/06/15                                                                                                                    |                      |              |                        |
| MATERIAL NO.    | DOCUMENT NO.                                                                                                                  | SHEET NO.            |              |                        |
| SEE SHT. 4, 5   | SD-95503-003                                                                                                                  | 3 OF 5               |              |                        |
| SIZE A3         | THIS DRAWING CONTAINS INFORMATION THAT IS PROPRIETARY TO MOLEX INCORPORATED AND SHOULD NOT BE USED WITHOUT WRITTEN PERMISSION |                      |              |                        |

|                                                                                                                               |  |              |           |
|-------------------------------------------------------------------------------------------------------------------------------|--|--------------|-----------|
| MATERIAL NO.                                                                                                                  |  | DOCUMENT NO. | SHEET NO. |
|                                                                                                                               |  | SD-95503-003 | 3 OF 5    |
| THIS DRAWING CONTAINS INFORMATION THAT IS PROPRIETARY TO MOLEX INCORPORATED AND SHOULD NOT BE USED WITHOUT WRITTEN PERMISSION |  |              |           |

# TRAY PACKAGING, SEE PACKAGING SPEC PK95003 SHEET 1

| HOUSING SIZE | LOADED CONTACTS | PLATING | PART NO FOR JACK ASSEMBLY THROUGH HOLE STANDARD VERSION |        |            |        |        | PART NO FOR JACK ASSEMBLY THROUGH HOLE SHORT VERSION |            |     |        |        |  |  |
|--------------|-----------------|---------|---------------------------------------------------------|--------|------------|--------|--------|------------------------------------------------------|------------|-----|--------|--------|--|--|
|              |                 |         | LCP FIBER GLASS FILLED 94V0 COLOR BLACK                 |        |            |        |        | LCP FIBER GLASS FILLED 94V0 COLOR BLACK              |            |     |        |        |  |  |
|              |                 |         | NO KEY                                                  | TOOLED | KEY        | TOOLED | TOOLED | NO KEY                                               | TOOLED     | KEY | TOOLED | TOOLED |  |  |
| NO RIB       | TOOLED          | NO RIB  | TOOLED                                                  | TOOLED | NO RIB     | TOOLED | NO RIB | TOOLED                                               | TOOLED     |     |        |        |  |  |
| 4            | 4               | 2       | 95503-2441                                              | X      |            |        |        |                                                      |            |     |        |        |  |  |
| 6            | 4               | 2       | 95503-2641                                              | X      |            |        |        |                                                      |            |     |        |        |  |  |
| 6            | 6               | 2       | 95503-2661                                              | X      |            |        |        |                                                      |            |     |        |        |  |  |
| 8            | 8               | 2       | 95503-2881                                              | X      | 95503-2882 | X      |        |                                                      | 95503-2884 | X   |        |        |  |  |

|            |   |
|------------|---|
| TOOLED     | X |
| NOT TOOLED |   |

|                                                                                                                                      |                                      |                                                      |                          |                          |                                                  |                                                                                                                               |                        |                        |  |
|--------------------------------------------------------------------------------------------------------------------------------------|--------------------------------------|------------------------------------------------------|--------------------------|--------------------------|--------------------------------------------------|-------------------------------------------------------------------------------------------------------------------------------|------------------------|------------------------|--|
| <b>CORRECTED PART #'s</b><br>EC NO: E2007-0482<br>DRWN: DBYRNES<br>CHKD:<br>APPR: EOMAHONY<br>2007/01/08<br>2007/01/08<br>2007/01/09 | <b>QUALITY SYMBOLS</b><br>▽=0<br>◻=0 | GENERAL TOLERANCES (UNLESS SPECIFIED)                |                          | DIMENSION STYLE<br>MM/IN |                                                  | SCALE<br>---                                                                                                                  | DESIGN UNITS<br>METRIC | THIRD ANGLE PROJECTION |  |
|                                                                                                                                      |                                      | 4 PLACES ± --- ± ---                                 | DRAWN BY<br>TMARTIN      | DATE<br>2005/06/16       | TITLE<br>LOW PROFILE T/E JACK THROUGH HOLE VERS. |                                                                                                                               |                        |                        |  |
|                                                                                                                                      |                                      | 3 PLACES ± --- ± ---                                 | CHECKED BY<br>FCARABETTA | DATE<br>2005/06/16       | MOLEX INCORPORATED                               |                                                                                                                               |                        |                        |  |
|                                                                                                                                      |                                      | 2 PLACES ± --- ± ---                                 | APPROVED BY<br>KNOLLER   | DATE<br>2005/06/16       | MATERIAL NO.                                     | DOCUMENT NO.<br>SD-95503-003                                                                                                  | SHEET NO.<br>4 OF 5    |                        |  |
| 1 PLACE ± --- ± ---                                                                                                                  | ANGULAR ± ---°                       | DRAFT WHERE APPLICABLE MUST REMAIN WITHIN DIMENSIONS |                          | SEE CHART                |                                                  | THIS DRAWING CONTAINS INFORMATION THAT IS PROPRIETARY TO MOLEX INCORPORATED AND SHOULD NOT BE USED WITHOUT WRITTEN PERMISSION |                        |                        |  |