

PLEASE CHECK WWW.MOLEX.COM FOR LATEST PART INFORMATION

Part Number: **0545522016**
Status: **Active**
Description: 0.40mm (.016") Pitch Board-to-Board SlimStack™ Receptacle, SMT, Dual Row, without Plastic Pegs, Right Angle, 20 Circuits

Documents:

[3D Model](#) [Product Specification PS-54552-024 \(PDF\)](#)
[Drawing \(PDF\)](#) [RoHS Certificate of Compliance \(PDF\)](#)

General

Product Family PCB Receptacles
 Series [54552](#)
 Application Board-to-Board
 Product Name SlimStack™

Physical

Circuits (Loaded) 20
 Color - Resin Brown
 Durability (mating cycles max) 30
 Glow-Wire Compliant No
 Mated Height (in) 0.167 In
 Mated Height (mm) 4.25 mm
 Material - Metal Phosphor Bronze
 Material - Plating Mating Gold
 Material - Plating Termination Tin
 Number of Rows 2
 Orientation Right Angle
 PCB Locator No
 PCB Retention None
 Packaging Type Embossed Tape on Reel
 Pitch - Mating Interface (in) 0.016 In
 Pitch - Mating Interface (mm) 0.40 mm
 Polarized to PCB No
 Temperature Range - Operating -40°C to +85°C
 Termination Interface: Style Surface Mount

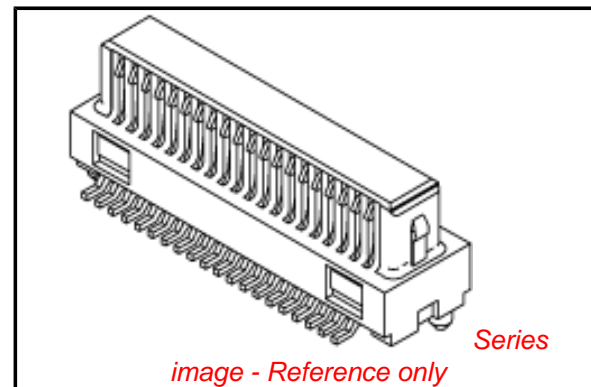
Electrical

Current - Maximum per Contact 0.3A
 Voltage - Maximum 30V AC (RMS)/DC

Material Info

Reference - Drawing Numbers

Product Specification PS-54552-024
 Sales Drawing SD-54552-025, SD-54552-026



EU RoHS

**ELV and RoHS
 Compliant**
REACH SVHC
 Not Reviewed
**Halogen-Free
 Status**

China RoHS



**Need more information on product
 environmental compliance?**

Email productcompliance@molex.com
 For a multiple part number RoHS Certificate of
 Compliance, [click here](#)

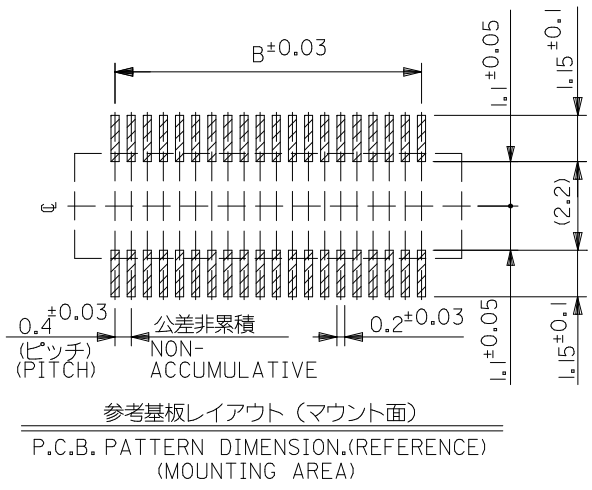
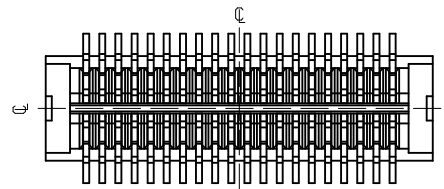
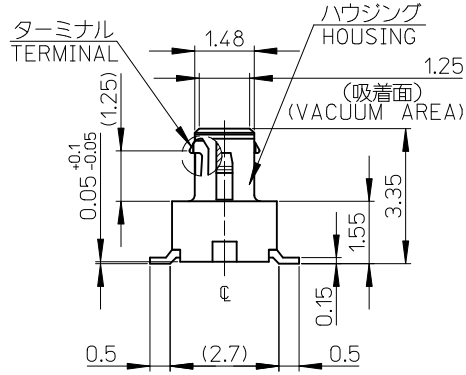
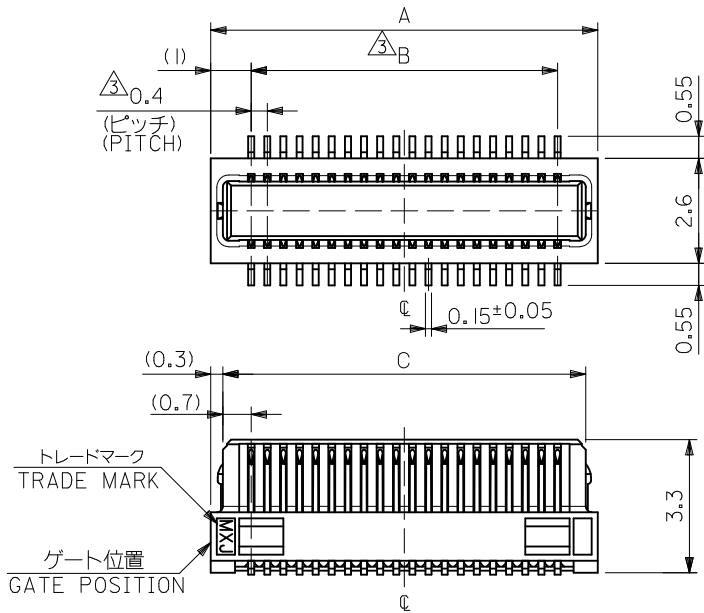
Please visit the [Contact Us](#) section for any
 non-product compliance questions.

Search Parts in this Series

[54552Series](#)

Mates With

[55394 PCB Header](#)



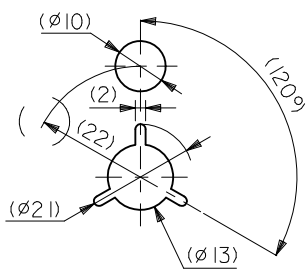
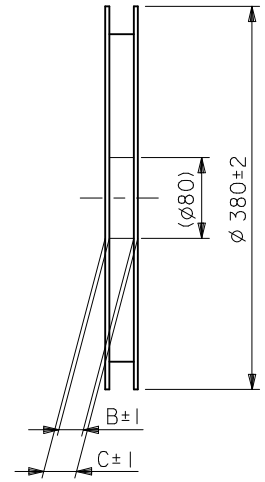
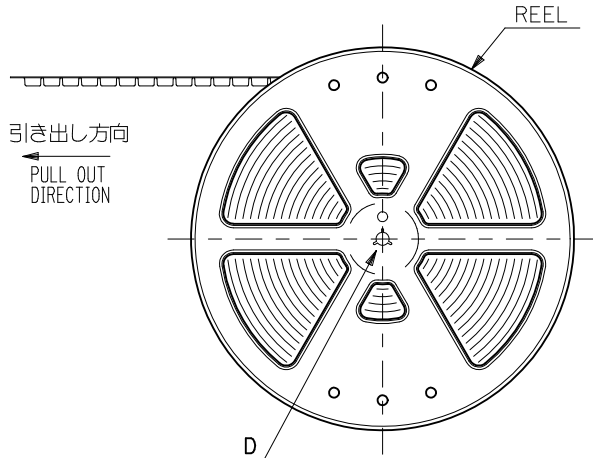
注記 NOTES

1. 使用材料 MATERIAL
 ハウジング:液晶ポリマー ガラス充填 UL94V-0 茶色
 HOUSING:LIQUID CRYSTAL POLYMER, GLASS FILLED, UL94V-0, COLOR BROWN
 ターミナル:リン青銅 (t=0.15)
 TERMINAL:PHOSPHOR BRONZE(t=0.15)
2. メッキ仕様 PLATING
 金メッキ (コンタクト部)
 GOLD PLATING (CONTACT AREA)
 錫メッキ (テール部)
 TIN PLATING (TAIL AREA)
 下地メッキ:ニッケルメッキ
 UNDER PLATING : NICKEL
- △ テール部に適用。
 APPLY TO THE TAIL AREA.
4. 嵌合相手:55394 / 503376 シリーズ
 MATE WITH : 55394 / 503376 SERIES.
5. テール平坦度は、0.08以下
 TAIL COPLANARITY TO BE 0.08MAXIMUM
6. ELV及びRoHS適合品
 ELV AND RoHS COMPLIANT

19.0	17.6	19.6	54552-9016	90
17.0	15.6	17.6	54552-8016	80
9.0	7.6	9.6	54552-4016	40
7.0	5.6	7.6	54552-3016	30
5.0	3.6	5.6	54552-2016	20
C	B	A	EMBOSSED TAPE	CKT.
ORDER No. オーダー番号				

CONNECTOR SERIES No. : 54552-***15

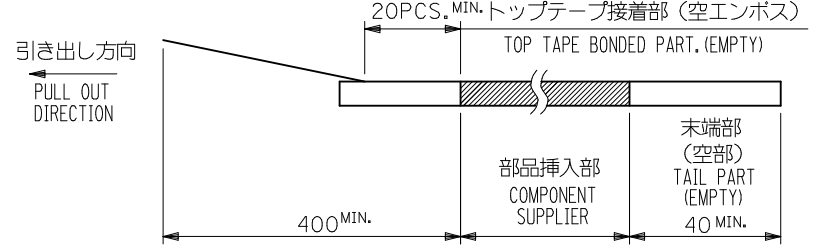
RELEASED EC NO: J2010-1972 DRW:KTOYODA 2010/03/31 CHK'D:SMARUYAMA 2010/03/31 APPR:SMARUYAMA 2010/03/31	GENERAL TOLERANCES (UNLESS SPECIFIED)		DIMENSION STYLE	SCALE	DESIGN UNITS	THIRD ANGLE PROJECTION
			MM ONLY	8:1	METRIC	◎ □
	10 UNDER	±0.2	DRAWN BY	DATE	TITLE	
	10 OVER 30 UNDER	±0.25	KTOYODA	2010/03/29	0.4 B/B CONN R/A REC HSG ASSY WITHOUT BOSS	
30 OVER	±0.3	CHECKED BY	DATE	APPROVED BY		MOLEX INCORPORATED SD-54552-025
ANGULAR ±3 °		SMARUYAMA	2010/03/29	MSASAO 2010/03/29		
DRAFT WHERE APPLICABLE MUST REMAIN WITHIN DIMENSIONS		MATERIAL NO.	SEE TABLE	DOCUMENT NO.	SHEET NO.	
		SIZE	A3	THIS DRAWING CONTAINS INFORMATION THAT IS PROPRIETARY TO MOLEX INCORPORATED AND SHOULD NOT BE USED WITHOUT WRITTEN PERMISSION		



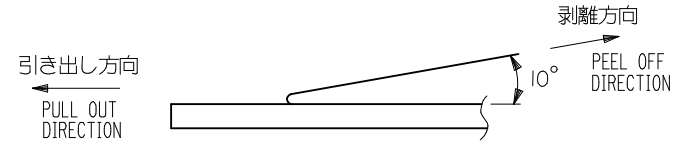
DETAIL D

NOTES

- 製品詳細寸法については SD-54552-025 を参照下さい。
RE DETAILED DIMENSION, SEE SD-54552-025.
- 梱包数量：1500個/リール
NUMBER OF CONNECTORS：1500PCS/REEL
- リードテープ長さ LEAD TAPE LENGTH



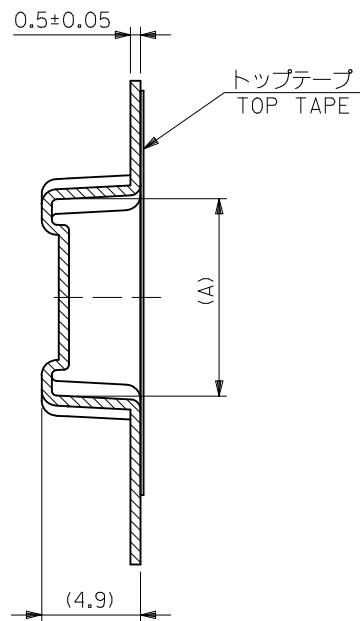
- トップテープの剥離強度：0.1～1.3N (10～130gf) (剥離方向は下図参照)
尚、本規格値は出荷時に適用。(但し、輸送時に剥離が発生しないこと。)
PEELING OFF FORCE OF TOP TAPE：0.1～1.3N (10～130gf)
(PEELING DIRECTION AS SHOWN IN FOLLOWING FIG.)
THIS REQUIREMENT SHOULD BE APPLIED AT SHIPMENT.
PEEL OFF SHOULD NOT BE ALLOWED, DURING TRANSPORTATION.



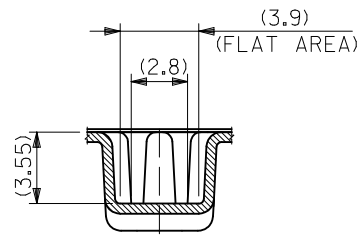
- 材料 (MATERIAL)
キャリアテープ (CARRIER TAPE)：ポリプロピレン (POLYPROPYLENE)
トップテープ (TOP TAPE)：PET, PE, PEF
リール (REEL)：ポリスチレン (P S) <リサイクル材を含む>
POLYSTYRENE (PS) <RECYCLE MATERIAL CONTAINED>
- ELV及びRoHS適合品
ELV AND RoHS COMPLIANT

54552-9016	90
54552-8016	80
54552-4016	40
54552-3016	30
54552-2016	20
EMBOSSED TAPE	CKT.
ORDER No. オーダー番号	

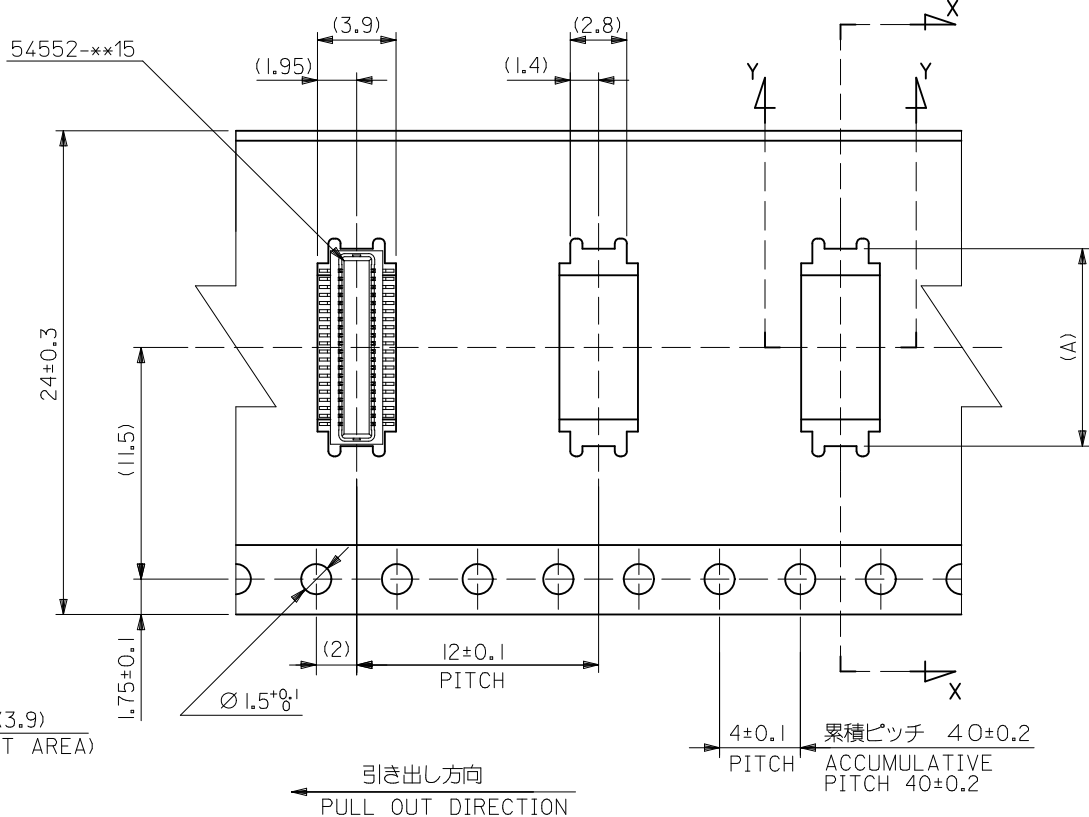
RELEASED EC NO.: J2010-1972 DRWN: KTOYODA 2010/03/31 CHKD: SMARUYAMA 2010/03/31 APPR: SMARUYAMA 2010/03/31	GENERAL TOLERANCES (UNLESS SPECIFIED)		DIMENSION STYLE MM ONLY		SCALE ---	DESIGN UNITS METRIC	THIRD ANGLE PROJECTION
	10 UNDER	±0.2	DRAWN BY KTOYODA	DATE 2010/03/29	TITLE EMBSTP PKG FOR 0.4 B/B CONN RA REC HSG ASSY		
	10 OVER 30 UNDER	±0.25	CHECKED BY SMARUYAMA	DATE 2010/03/29	MOLEX INCORPORATED		
	30 OVER	±0.3	APPROVED BY MSASAO	DATE 2010/03/29	MATERIAL NO. SEE TABLE	DOCUMENT NO. SD-54552-026	SHEET NO. 1 OF 3
A	ANGULAR ±3 °	THIS DRAWING CONTAINS INFORMATION THAT IS PROPRIETARY TO MOLEX INCORPORATED AND SHOULD NOT BE USED WITHOUT WRITTEN PERMISSION					
	DRAFT WHERE APPLICABLE MUST REMAIN WITHIN DIMENSIONS						



SECT X-X



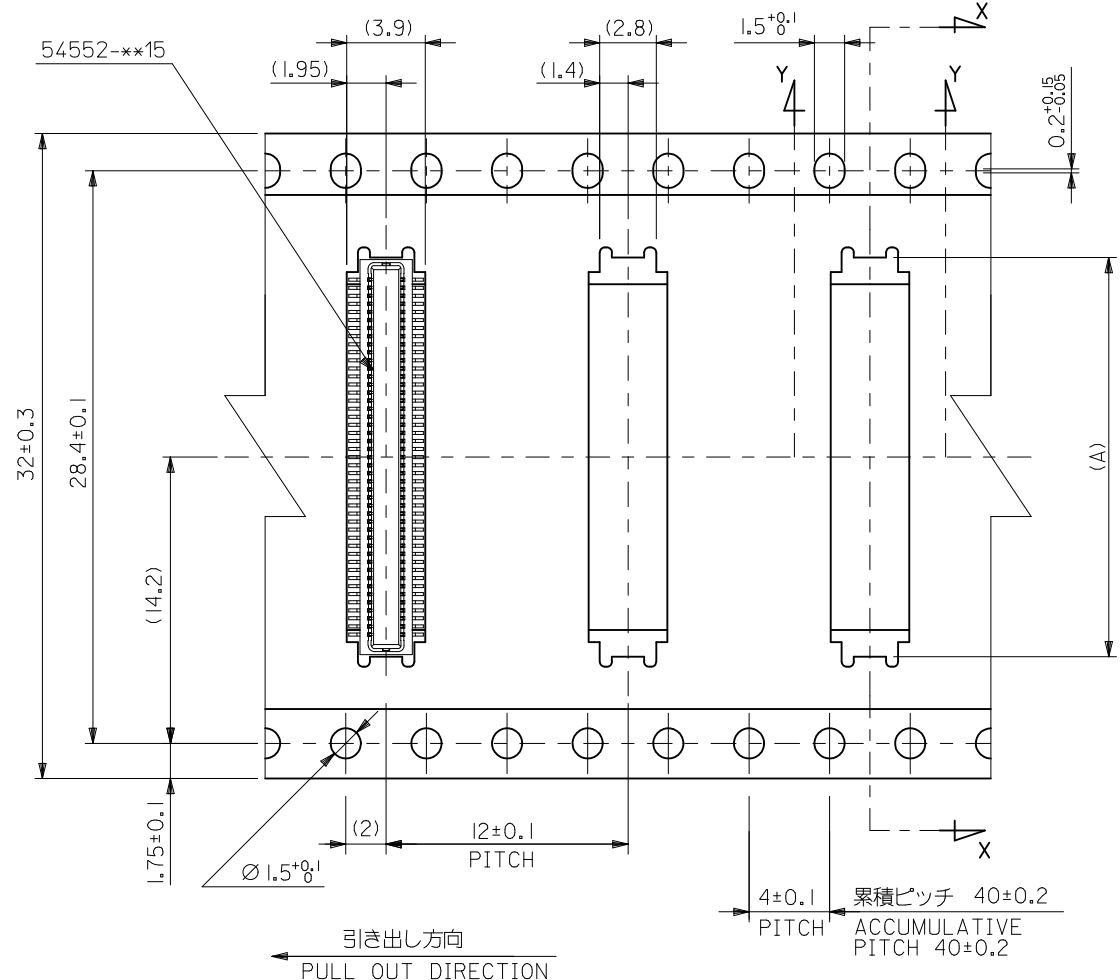
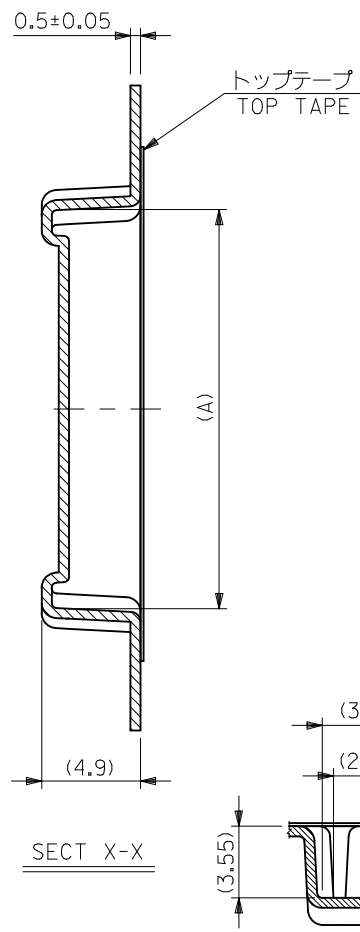
SECT Y-Y



24	29.4	25.4	9.8	54552-4016	40
			7.8	54552-3016	30
			5.8	54552-2016	20
キャリアテープ幅 CARRIER TAPE WIDTH	C	B	(A)	EMBOSSED TAPE ORDER No. オーダー番号	極数 CIRCUITS

SEE SHEET 1 OF 3 EC NO: J2010-1972 DRWK:KTOYODA 2010/03/31 CHKD:SMARUYAMA 2010/03/31 APPR:SMARUYAMA 2010/03/31	GENERAL TOLERANCES (UNLESS SPECIFIED)	
	10 UNDER	±0.2
	10 OVER 30 UNDER	±0.25
	30 OVER	±0.3
	ANGULAR	±3 °
	DRAFT WHERE APPLICABLE MUST REMAIN WITHIN DIMENSIONS	

DIMENSION STYLE MM ONLY		SCALE ---	DESIGN UNITS METRIC	THIRD ANGLE PROJECTION
DRAWN BY KTOYODA	DATE 2010/03/29	TITLE EMBSTP PKG FOR 0.4 B/B CONN RA REC HSG ASSY		
CHECKED BY SMARUYAMA	DATE 2010/03/29	MOLEX INCORPORATED		
APPROVED BY MSASAO	DATE 2010/03/29	MATERIAL NO. SEE TABLE	DOCUMENT NO. SD-54552-026	SHEET NO. 2 OF 3
THIS DRAWING CONTAINS INFORMATION THAT IS PROPRIETARY TO MOLEX INCORPORATED AND SHOULD NOT BE USED WITHOUT WRITTEN PERMISSION				



引き出し方向
PULL OUT DIRECTION
32mm幅キャリアテープ
32mm WIDTH CARRIER TAPE

32	37.4	33.4	19.8	54552-9016	90
			17.8	54552-8016	80
キャリアテープ幅 CARRIER TAPE WIDTH	C	B	(A)	EMBOSSED TAPE	極数 CIRCUITS
				ORDER No. オーダー番号	

SEE SHEET 1 OF 3 EC NO: J2010-1972 DRW:KTOYODA 2010/03/31 CHKD:SMARUYAMA 2010/03/31 APPR:SMARUYAMA 2010/03/31	GENERAL TOLERANCES (UNLESS SPECIFIED)	
	10 UNDER	±0.2
	10 OVER 30 UNDER	±0.25
	30 OVER	±0.3
	ANGULAR	±3 °
	DRAFT WHERE APPLICABLE MUST REMAIN WITHIN DIMENSIONS	

DIMENSION STYLE MM ONLY		SCALE ---	DESIGN UNITS METRIC	THIRD ANGLE PROJECTION	
DRAWN BY KTOYODA	DATE 2010/03/29	TITLE EMBSTP PKG FOR 0.4 B/B CONN RA REC HSG ASSY			
CHECKED BY SMARUYAMA	DATE 2010/03/29	MOLEX INCORPORATED			
APPROVED BY MSASAO	DATE 2010/03/29				
MATERIAL NO.	SEE TABLE	DOCUMENT NO. SD-54552-026	SHEET NO. 3 OF 3		
SIZE A3 THIS DRAWING CONTAINS INFORMATION THAT IS PROPRIETARY TO MOLEX INCORPORATED AND SHOULD NOT BE USED WITHOUT WRITTEN PERMISSION					