

**PLEASE CHECK WWW.MOLEX.COM FOR LATEST PART INFORMATION**

**Part Number:** [0550910974](#)  
**Status:** **Active**  
**Overview:** [slimstack\\_0635mm\\_025\\_pitch](#)  
**Description:** 0.635mm (.025") Pitch SlimStack™ Header, Surface Mount, Dual Row, Vertical Stacking, 6.00 and 12.00mm (.236 and .472") Stacking Heights, Black, Lead-free, 90 Circuits, Robotic Placement Metal Cap, with Embossed Tape on Reel Packaging

**Documents:**

[3D Model](#) [Product Specification PS-52760-015 \(PDF\)](#)  
[Drawing \(PDF\)](#) [RoHS Certificate of Compliance \(PDF\)](#)

**Agency Certification**

UL E29179

**General**

Product Family PCB Headers  
 Series [55091](#)  
 Application Board-to-Board  
 Comments Stacking-Type  
 Overview [slimstack\\_0635mm\\_025\\_pitch](#)  
 Product Name SlimStack™

**Physical**

Breakaway No  
 Circuits (Loaded) 90  
 Color - Resin Black  
 Durability (mating cycles max) 50  
 Flammability 94V-0  
 Glow-Wire Compliant No  
 Mated Height (in) 0.236 In, 0.472 In  
 Mated Height (mm) 12.00 mm, 6.00 mm  
 Material - Metal Copper Alloy  
 Material - Plating Mating Gold  
 Material - Plating Termination Tin  
 Number of Rows 2  
 Orientation Vertical  
 PCB Locator Yes  
 PCB Retention Yes  
 Packaging Type Embossed Tape on Reel  
 Pitch - Mating Interface (in) 0.025 In  
 Pitch - Mating Interface (mm) 0.64 mm  
 Polarized to PCB Yes  
 Robotic Placement Metal Cap  
 Stackable No  
 Temperature Range - Operating -55°C to +85°C  
 Termination Interface: Style Surface Mount

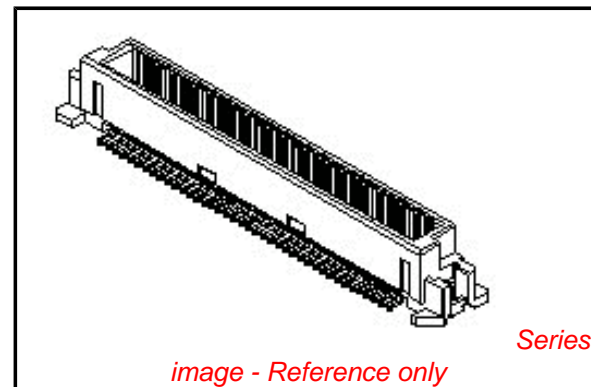
**Electrical**

Current - Maximum per Contact 0.5A  
 Voltage - Maximum 100V

**Material Info**

**Reference - Drawing Numbers**

Packaging Specification SPK-55091-001



**EU RoHS**

**ELV and RoHS Compliant**  
**REACH SVHC**  
 Not Reviewed  
**Halogen-Free Status**  
**Not Reviewed**

**China RoHS**



**Need more information on product environmental compliance?**

Email [productcompliance@molex.com](mailto:productcompliance@molex.com)  
 For a multiple part number RoHS Certificate of Compliance, [click here](#)

Please visit the [Contact Us](#) section for any non-product compliance questions.

**Search Parts in this Series**

[55091Series](#)

**Mates With**

SlimStack™ Receptacle [52760](#) , [52837](#) , [52885](#) , [52901](#)

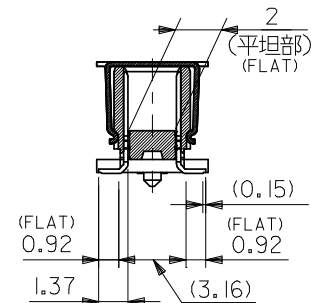
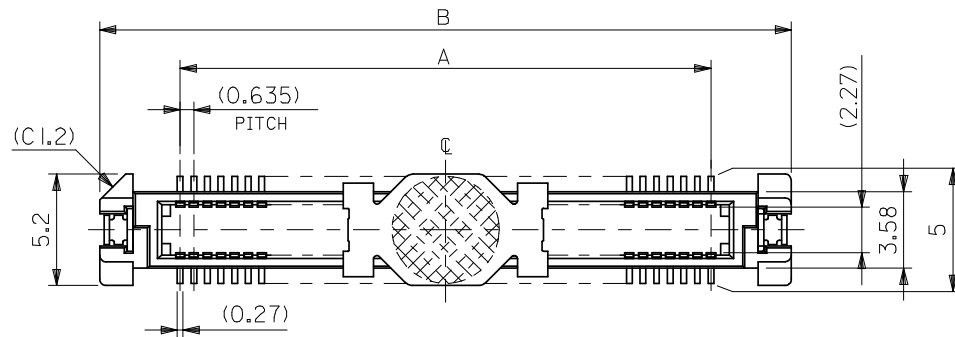
Product Specification

Sales Drawing

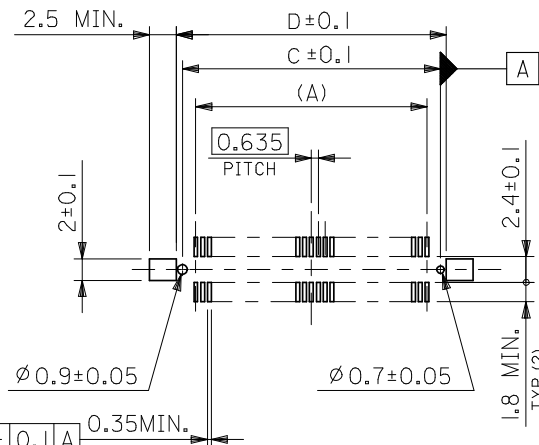
PS-52760-015, RPS-52760-017, RPS-52760-018,  
RPS-52760-020, RPS-52760-021, RPS-52760-022,  
RPS-52760-026, RPS-52760-029, RPS-52901-012  
SD-55091-006, SD-55091-007

This document was generated on 05/27/2010

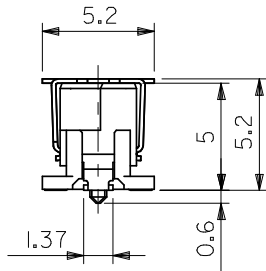
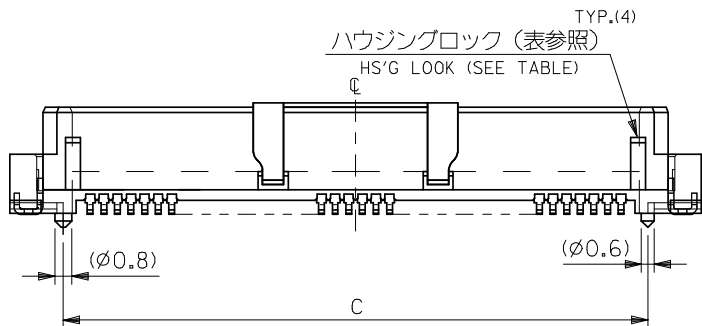
**PLEASE CHECK [WWW.MOLEX.COM](http://WWW.MOLEX.COM) FOR LATEST PART INFORMATION**



半田付け部詳細図  
DETAIL FOR SOLDERING AREA



推奨基板寸法  
RECOMMENDED PCB PATTERN LAYOUT



注) NOTES

- 材質 MATERIAL  
ハウジング : ガラス入りLCP、黒色、UL94V-0  
HOUSING: LIQUID CRYSTAL POLYMER (LCP), GLASS FILLED, BLACK, UL94V-0  
ターミナル : 銅合金 (t=0.2)  
TERMINAL: COPPER ALLOY  
吸着力バー : ステンレス(t=0.2)  
VACUUM COVER: STAINLESS STEEL  
補強金具 : 銅合金 (t=0.25)  
FITTING NAIL: COPPER ALLOY
- メッキ仕様 PLATING  
ターミナル : 接点部 : 金メッキ 0.25 マイクロメートル以上。  
CONTACT AREA : GOLD 0.25 MICROMETER MINIMUM.  
半田付け部 : 錫メッキ 1.0 マイクロメートル以上。  
SOLDER TAIL AREA : TIN 1.0 MICROMETER MINIMUM.  
下地メッキ : ニッケルメッキ 1.5 マイクロメートル以上。  
UNDER-PLATING : NICKEL 1.5 MICROMETER MINIMUM.  
補強金具 : 錫メッキ 1.0 マイクロメートル以上。  
FITTING NAIL : TIN 1.0 MICROMETER MINIMUM.  
下地メッキ : ニッケルメッキ 1.0 マイクロメートル以上。  
UNDER-PLATING: NICKEL 1.0 MICROMETER MINIMUM.
- テールのバラツキ寸法 TAIL COPLANARITY  
テール及び金具の平坦度は、0.1以下とする。  
TAIL AND FITTING NAIL COPLANARITY TO BE 0.1 MAXIMUM.
- エンボス対応済みの極数については、SD-55091-007を参照下さい。  
FOR THE EMBOSSED PACKAGE PRODUCTS, SEE SD-55091-007.
- 本製品は55091-\*\*\*2の鉛フリー品である。  
THIS PRODUCT IS LEAD FREE OF 55091-\*\*\*2.

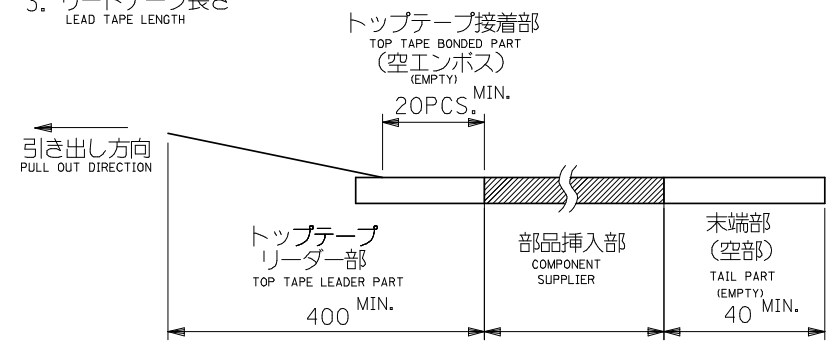
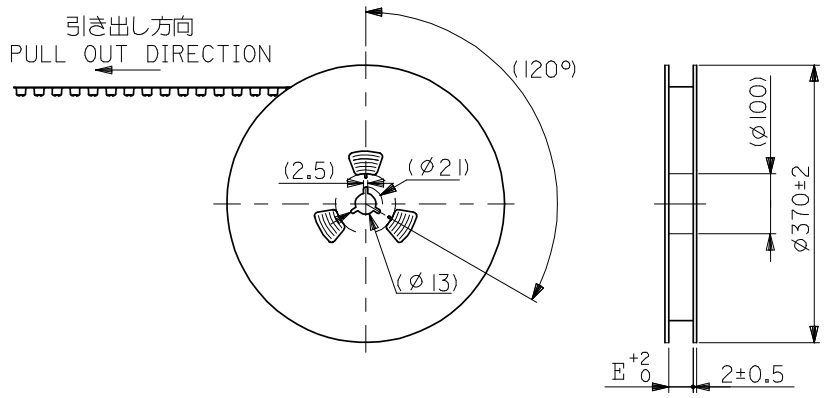
無し NO	79.17	78.07	83.07	75.565	—	55091-2475	55091-2472	240	○
	66.47	65.37	70.37	62.865	—	-2075	-2072	200	○
	60.12	59.02	64.02	56.515	—	-1875	-1872	180	○
	53.77	52.67	57.67	50.165	55091-1674	-1675	-1672	160	○
	47.42	46.32	51.32	43.815	55091-1474	-1475	-1472	140	○
	41.07	39.97	44.97	37.465	55091-1274	-1275	-1272	120	○
	34.72	33.62	38.62	31.115	55091-1074	-1075	-1072	100	○
	31.55	30.45	35.45	27.94	55091-0974	-0975	-0972	90	○
	28.37	27.27	32.27	24.765	55091-0874	-0875	-0872	80	○
	25.2	24.1	29.1	21.59	55091-0774	-0775	-0772	70	○
有り YES	24.56	23.46	28.46	20.955	—	-6875	-6872	68	○
	22.02	20.92	25.92	18.415	55091-0674	-0675	-0672	60	○
	18.85	17.75	22.75	15.24	55091-0574	-0575	-0572	50	○
	15.67	14.57	19.57	12.065	55091-0474	-0475	-0472	40	○
	12.5	11.4	16.4	8.89	55091-0374	-0375	-0372	30	○
9.32	8.22	13.22	5.715	55091-0274	55091-0275	55091-0272	20	○	
ハウジングロック HS'G LOCK	D	C	B	A	エンボス梱包 EMBOSSED PACKAGING	スティック梱包 STICK PACKAGING	製品番号 MATERIAL NO.	極数 CKT. NO.	量産対応 AVAILABLE
					ORDER No.	オーダー番号			

REVISED EC NO: J2009-0365 DRWN: MWABEI CHKD: THARUYAMA APPR: NUKITA	DESCRIPTION 2008/08/06 2008/08/07	GENERAL TOLERANCES (UNLESS SPECIFIED)		DIMENSION STYLE MM ONLY		SCALE ---	DESIGN UNITS METRIC	THIRD ANGLE PROJECTION	
		10 UNDER	±0.2	DRAWN BY H. KAWABATA	DATE '04/03/05	TITLE 0.635 PITCH B-TO-B PLUG HS'G COVER ASS'Y -LEAD FREE-			
		10 OVER 30 UNDER	±0.25	CHECKED BY K. TOJO	DATE '04/03/05	MOLEX INCORPORATED			
		30 OVER	±0.3	APPROVED BY M. SASAO	DATE '04/03/05	DOCUMENT NO. SD-55091-006			
		ANGULAR ±3°		DRAFT WHERE APPLICABLE MUST REMAIN WITHIN DIMENSIONS		SEE TABLE		SHEET NO. 1 OF 1	
THIS DRAWING CONTAINS INFORMATION THAT IS PROPRIETARY TO MOLEX INCORPORATED AND SHOULD NOT BE USED WITHOUT WRITTEN PERMISSION									

注)

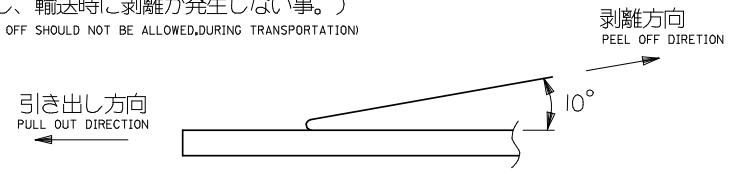
NOTES

- 製品番号 55091-\*\*\*72 の詳細寸法については、SD-55091-006 を参照下さい。  
IN THE PACKAGE , PART NO. 55901-\*\*\*72 DETAILED DIMENSIONS , SEE SD-55091-006.
- 梱包数量 : 1000 個/リール  
NUMBER OF CONNECTORS : 1000 PCS/REEL
- リードテープ長さ  
LEAD TAPE LENGTH



- トップテープの剥離強度: (剥離方向は下図参照)  
PEELING OFF FORCE OF TOP TAPE (PEELING DIRECTION AS SHOWN IN FOLLOWING FIG.)  
0. 1~1. 3N {10~130gf}

尚、本規格値は、出荷時に適用。  
THIS REQUIREMENT SHOULD BE APPLIED AT SHIPMENT  
(但し、輸送時に剥離が発生しない事。)  
(PEEL OFF SHOULD NOT BE ALLOWED, DURING TRANSPORTATION)

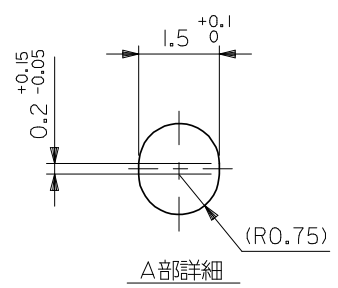
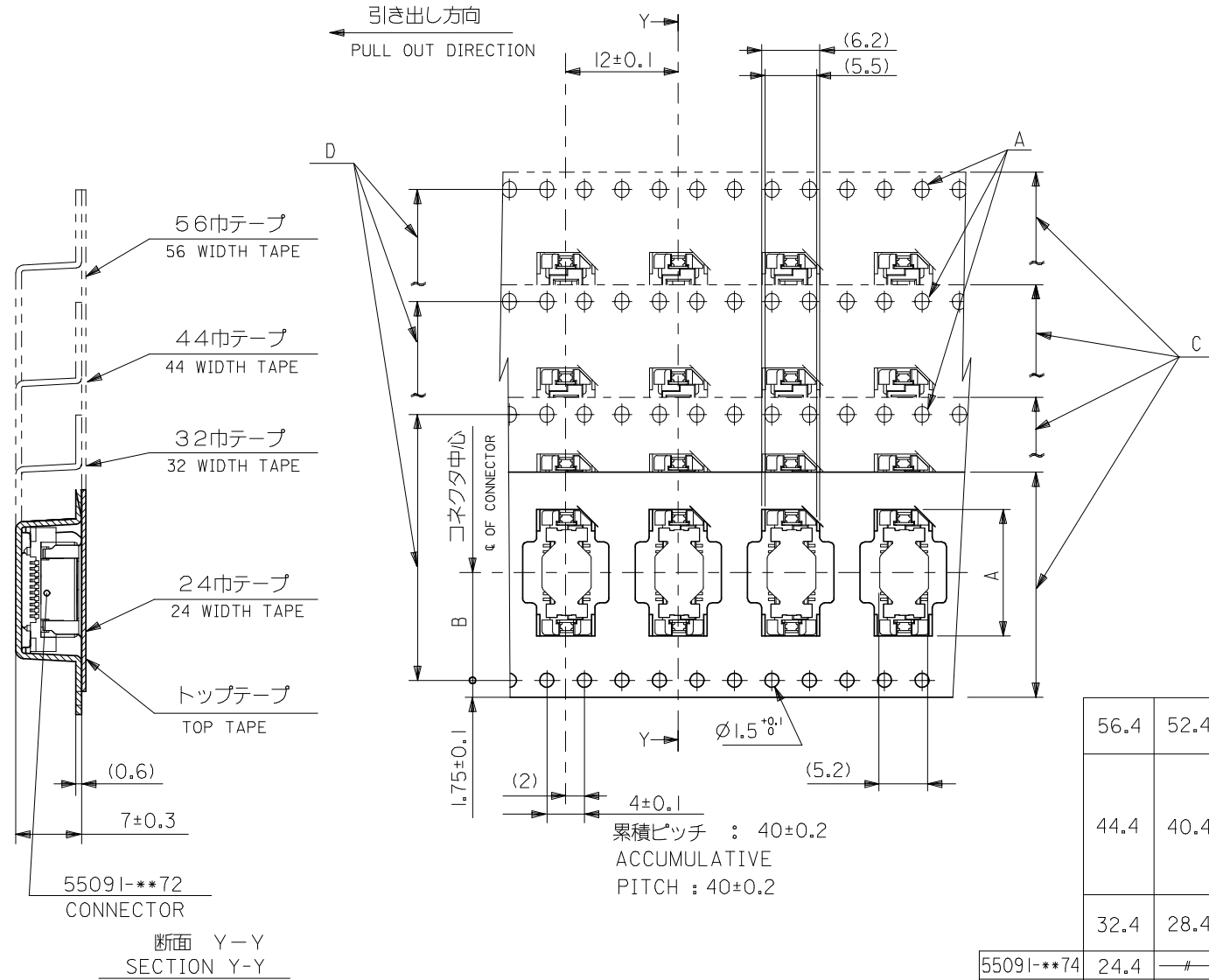


- 材料  
MATERIAL  
キャリアテープ : ポリプロピレン (PP)  
CARRIER TAPE : POLYPROPYLENE (PP)  
トップテープ : PET, PE, PEF  
TOP TAPE : PET, PE, PEF  
リール : 紙  
REEL : CARD BOARD

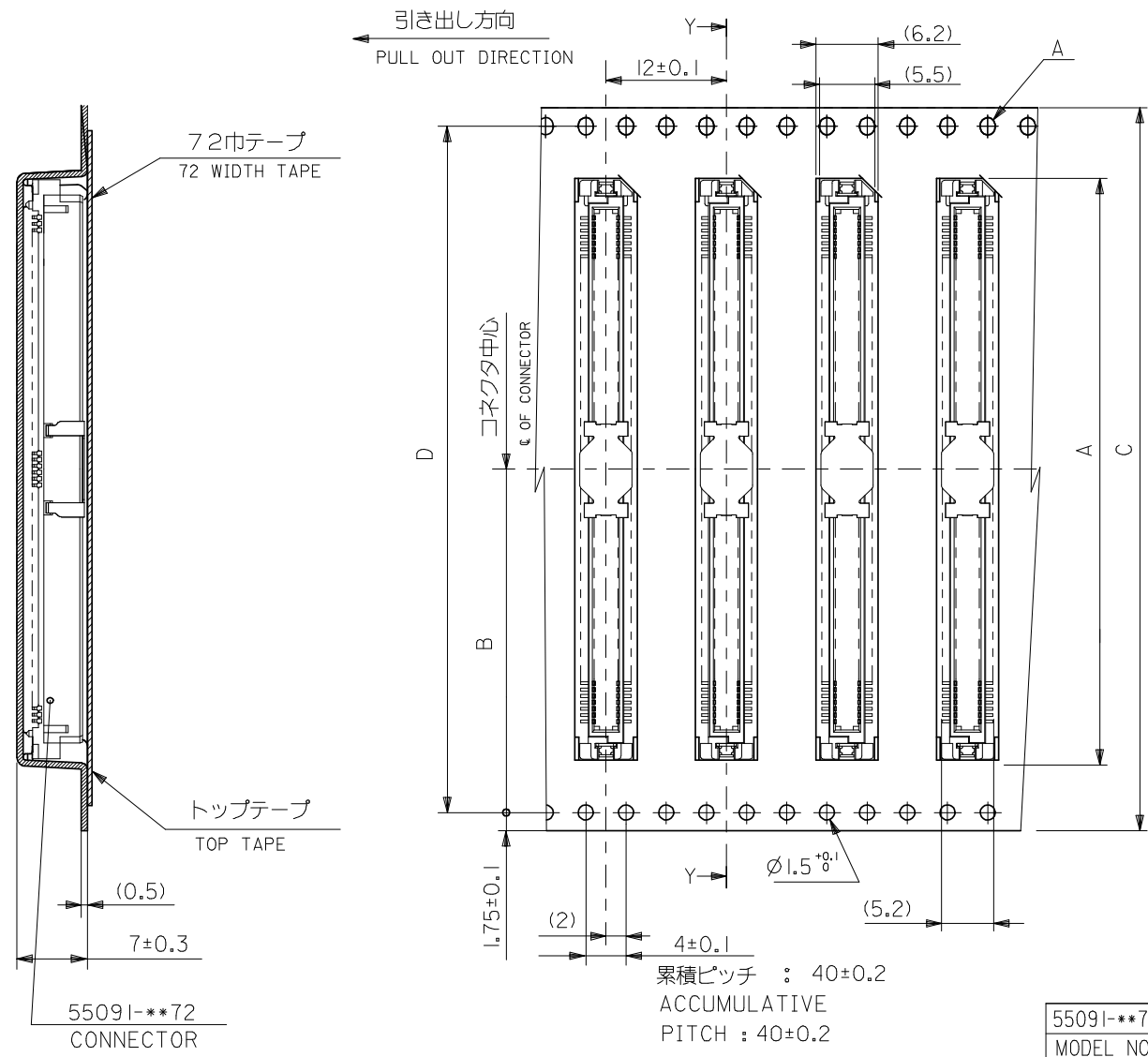
- 本製品は55091-\*\*\*4の鉛フリー品である。  
THIS PRODUCT IS LEAD FREE OF 55091-\*\*\*4.

MODEL NO. 55091-\*\*\*74

REVISED EC NO: J2009-0365 DRWN: MWABEI 2008/08/06 CH'KD: THARUYAMA 2008/08/07 APPR: NUKITA 2008/08/07	GENERAL TOLERANCES (UNLESS SPECIFIED)		DIMENSION STYLE MM ONLY		SCALE ---	DESIGN UNITS METRIC	THIRD ANGLE PROJECTION	
	10 UNDER	±0.2	DRAWN BY KAWABATA	DATE '04/03/05	TITLE 55091-***72 TAPING PACKAGE -LEAD FREE-			
	10 OVER 30 UNDER	±0.25	CHECKED BY KTOJO	DATE '04/03/05				
	30 OVER	±0.3	APPROVED BY MSASAO	DATE '04/03/05	MOLEX INCORPORATED			
	ANGULAR	±3 °	MATERIAL NO. SEE SHEET 2,3		DOCUMENT NO. SD-55091-007		SHEET NO. 1 OF 3	
	DRAFT WHERE APPLICABLE MUST REMAIN WITHIN DIMENSIONS		THIS DRAWING CONTAINS INFORMATION THAT IS PROPRIETARY TO MOLEX INCORPORATED AND SHOULD NOT BE USED WITHOUT WRITTEN PERMISSION					

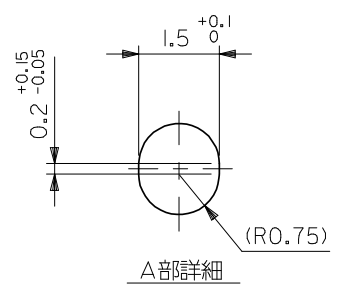


REVISED EC NO: J2009-0365 DRWN: NABEI 2008/08/06 CHKD: THARYAMA 2008/08/07 APPR: NUKITA 2008/08/07	GENERAL TOLERANCES (UNLESS SPECIFIED)		DIMENSION STYLE <b>MM ONLY</b>		SCALE ---	DESIGN UNITS METRIC	THIRD ANGLE PROJECTION		
	10 UNDER	±0.2	DRAWN BY KAWABATA		DATE '04/03/05		TITLE <b>55091-**72 TAPING          PACKAGE          -LEAD FREE-</b>		
	10 OVER 30 UNDER	±0.25	CHECKED BY KTOJO		DATE '04/03/05		MOLEX INCORPORATED		
	30 OVER	±0.3	APPROVED BY MSASAO		DATE '04/03/05		DOCUMENT NO. SD-55091-007		
ANGULAR ±3°		DRAFT WHERE APPLICABLE MUST REMAIN WITHIN DIMENSIONS		MATERIAL NO. <b>SEE TABLE</b>		SHEET NO. 2 OF 3			
THIS DRAWING CONTAINS INFORMATION THAT IS PROPRIETARY TO MOLEX INCORPORATED AND SHOULD NOT BE USED WITHOUT WRITTEN PERMISSION									



55091-\*\*72  
CONNECTOR

断面 Y-Y  
SECTION Y-Y



累積ピッチ : 40±0.2  
ACCUMULATIVE  
PITCH : 40±0.2

55091-\*\*74  
MODEL NO.

72.4	68.4	72 <sup>±0.3</sup>	34.2	58.0	55091-1674	160	○
				51.6	55091-1474	140	○
				45.3	55091-1274	120	○
				(B)	(A)	MATERIAL NO.	極数 量産対応 NO. OF CKTS. AVAILABLE

REVISED EC NO: J2009-0365 DRWN: NABEI CHKD: THARYAMA APPR: NUKITA	2008/08/06	2008/08/07	2008/08/07	DESCRIPTION GENERAL TOLERANCES (UNLESS SPECIFIED)
	10 UNDER		±0.2	
	10 OVER 30 UNDER		±0.25	
	30 OVER		±0.3	
	ANGULAR		±3°	
DRAFT WHERE APPLICABLE MUST REMAIN WITHIN DIMENSIONS				

DIMENSION STYLE MM ONLY		SCALE ---	DESIGN UNITS METRIC	THIRD ANGLE PROJECTION
DRAWN BY KAWABATA	DATE '04/03/05	TITLE 55091-**72 TAPING PACKAGE -LEAD FREE-		
CHECKED BY KTOJO	DATE '04/03/05	MOLEX INCORPORATED		
APPROVED BY MSASAO	DATE '04/03/05	MATERIAL NO.	DOCUMENT NO. SD-55091-007	SHEET NO. 3 OF 3
THIS DRAWING CONTAINS INFORMATION THAT IS PROPRIETARY TO MOLEX INCORPORATED AND SHOULD NOT BE USED WITHOUT WRITTEN PERMISSION				