

**PLEASE CHECK WWW.MOLEX.COM FOR LATEST PART INFORMATION**

**Part Number:** [0015453632](#)  
**Status:** **Active**  
**Overview:** [cgrid\\_sl\\_products](#)  
**Description:** 2.54mm (.100") Pitch C-Grid® PCB Connector, Surface Mount, High Profile, Dual Row, Vertical, 32 Circuits

**Documents:**

[3D Model](#) [Product Specification PS-71395 \(PDF\)](#)  
[Drawing \(PDF\)](#) [RoHS Certificate of Compliance \(PDF\)](#)

**Agency Certification**

CSA LR19980  
 UL E29179

**General**

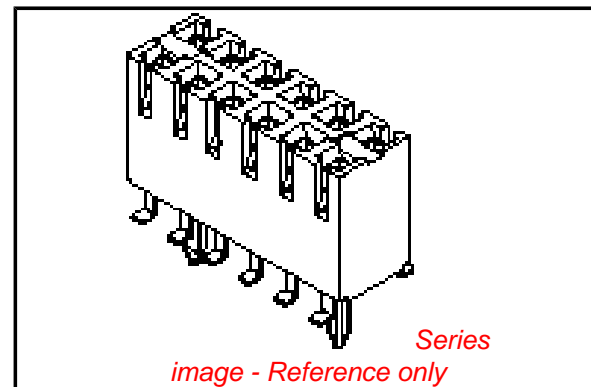
Product Family PCB Receptacles  
 Series [71395](#)  
 Application Board-to-Board  
 Overview [cgrid\\_sl\\_products](#)  
 Product Name C-Grid®

**Physical**

Circuits (Loaded) 32  
 Color - Resin Black  
 Durability (mating cycles max) 50  
 Flammability 94V-0  
 Glow-Wire Compliant No  
 Guide to Mating Part No  
 Keying to Mating Part None  
 Lock to Mating Part No  
 Material - Metal Phosphor Bronze  
 Material - Plating Mating Gold  
 Material - Plating Termination Tin  
 Material - Resin High Temperature Thermoplastic  
 Number of Rows 2  
 Orientation Vertical  
 PC Tail Length (in) 0.058 In  
 PC Tail Length (mm) 1.47 mm  
 PCB Locator Yes  
 PCB Retention Yes  
 Packaging Type Tray  
 Pitch - Mating Interface (in) 0.100 In  
 Pitch - Mating Interface (mm) 2.54 mm  
 Plating min: Mating (µin) 30  
 Plating min: Mating (µm) 0.75  
 Plating min: Termination (µin) 75  
 Plating min: Termination (µm) 1.875  
 Polarized to PCB No  
 Surface Mount Compatible (SMC) N/A  
 Temperature Range - Operating -40°C to +105°C  
 Termination Interface: Style Surface Mount

**Electrical**

Current - Maximum per Contact 2.5A  
 Grounding to PCB No  
 Voltage - Maximum 250V



**EU RoHS**

**ELV and RoHS Compliant**  
**REACH SVHC**  
 Not Reviewed  
**Halogen-Free Status**  
**Not Reviewed**

**China RoHS**



**Need more information on product environmental compliance?**

Email [productcompliance@molex.com](mailto:productcompliance@molex.com)  
 For a multiple part number RoHS Certificate of Compliance, [click here](#)

Please visit the [Contact Us](#) section for any non-product compliance questions.

**Search Parts in this Series**

[71395Series](#)

**Mates With**

[8624](#) C-Grid® Breakaway Header, [70246](#) Straight Header, [70247](#) Right Angle Header, [70287](#) C-Grid® Header, [70227](#) Dual Row C-Grid® Header, [70567](#) C-Grid® Header, [70280](#) C-Grid® Breakaway Header, [70524](#) C-Grid® Breakaway Header, [Z](#)

**Solder Process Data**

Lead-free Process Capability  
Process Temperature max. C

Reflow Capable (SMT only)  
260

**Material Info**

Old Part Number

71395-0232

**Reference - Drawing Numbers**

Application Specification

AS-71395-001

Packaging Specification

PK-70873-0662

Product Specification

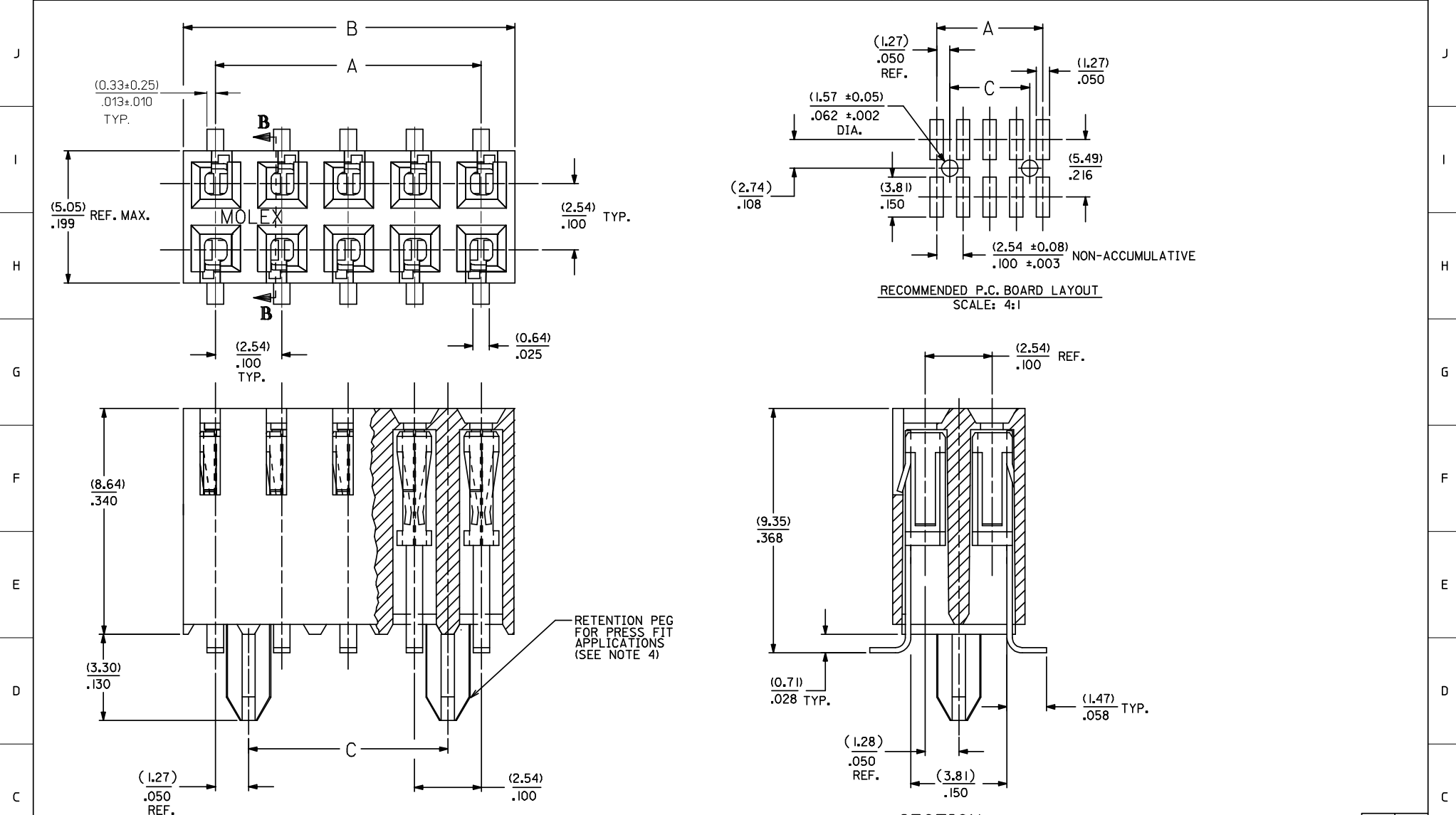
PS-71395

Sales Drawing

SDA-71395-0\*\*\*

This document was generated on 05/31/2010

**PLEASE CHECK [WWW.MOLEX.COM](http://WWW.MOLEX.COM) FOR LATEST PART INFORMATION**



RECOMMENDED P.C. BOARD LAYOUT  
SCALE: 4:1

SECTION B-B

- VERSION WITH PCB RETENTION PEGS -

- NOTES:
- HOUSING MATERIAL: GLASS FILLED LIQUID CRYSTAL POLYMER; UL 94V-0. COLOR: BLACK
  - TERMINAL MATERIAL: PHOSPHOR BRONZE
  - SEE SHEET 2 FOR CIRCUIT SIZES AND OVER-ALL DIMENSIONS.
  - SEE PRODUCT SPEC. PS-71395 FOR PERFORMANCE CRITERIA.
  - STANDARD PACKAGING PER PK-70873-0662 (TRAY PACK)

RETENTION PEG FOR PRESS FIT APPLICATIONS (SEE NOTE 4)

|   |  |   |   |                     |              |                        |
|---|--|---|---|---------------------|--------------|------------------------|
| ADD SMT DIM & TOL<br>EC NO: UCP2008-1594<br>DRAWN: DMORGAN 2008/04/04<br>CHKD: HS IBARRA 2008/04/22<br>APPR: SMILLER 2008/04/22 | QUALITY SYMBOLS                                      | GENERAL TOLERANCES (UNLESS SPECIFIED)   | DIMENSION STYLE   | SCALE               | DESIGN UNITS | THIRD ANGLE PROJECTION |
|   | ▼=0<br>▽=0   | mm INCH<br>4 PLACES ± --- ± ---<br>3 PLACES ± --- ± .010<br>2 PLACES ± 0.25 ± .014<br>1 PLACE ± 0.35 ± ---<br>ANGULAR ±1/2° | MM/IN   | 10:1                | INCH         |                        |
|   | DRAWN BY DATE<br>CHECKED BY DATE<br>APPROVED BY DATE | MATERIAL NO.<br>SEE CHART   | TITLE<br>CONNECTOR DUAL ROW<br>VERTICAL SURFACE MOUNT<br>TOP ENTRY ON .100 GRID | SHEET NO.<br>1 OF 2 |              |                        |
|   | DRAFT WHERE APPLICABLE MUST REMAIN WITHIN DIMENSIONS | MOX<br>MOLEX INCORPORATED   | DOCUMENT NO.<br>SDA-71395-0***  | SHEET NO.<br>1 OF 2 |              |                        |

|     |     |
|-----|-----|
| 2   | J   |
| 1   | K   |
| SHT | REV |

