

PLEASE CHECK WWW.MOLEX.COM FOR LATEST PART INFORMATION

Part Number: [0767156008](#)
Status: **Active**
Description: 1.40mm (0.055") Pitch Tinman Right Angle, Dual End, 5 Pair, 8 Column, 120 Circuits, 85 Ohms, Lead Free

Documents:

[Drawing \(PDF\)](#) [RoHS Certificate of Compliance \(PDF\)](#)

General

| | |
|----------------|----------------------|
| Product Family | Backplane Connectors |
| Series | 76715 |
| Application | Backplane |
| Comments | 85 Ohms |
| Component Type | PCB Receptacle |
| Product Name | Tinman |
| Style | N/A |

Physical

| | |
|--------------------------------|--------------------------------|
| Circuits (Loaded) | 120 |
| Circuits (maximum) | 120 |
| Color - Resin | Black |
| Durability (mating cycles max) | 200 |
| First Mate / Last Break | Yes |
| Guide to Mating Part | No |
| Keying to Mating Part | None |
| Material - Metal | Copper Alloy |
| Material - Plating Mating | Tin |
| Material - Resin | High Temperature Thermoplastic |
| Number of Columns | 8 |
| Number of Pairs | 5 |
| Number of Rows | 15 |
| Orientation | Right Angle |
| PC Tail Length (in) | 0.098 In |
| PC Tail Length (mm) | 2.50 mm |
| PCB Locator | No |
| PCB Retention | None |
| PCB Thickness Recommended (in) | 0.055 In |
| PCB Thickness Recommended (mm) | 1.40 mm |
| Packaging Type | Tube |
| Pitch - Mating Interface (in) | 0.074 In |
| Pitch - Mating Interface (mm) | 1.90 mm |
| Stackable | No |
| Surface Mount Compatible (SMC) | Yes |
| Temperature Range - Operating | -65°C to +90°C |
| Termination Interface: Style | Surface Mount |

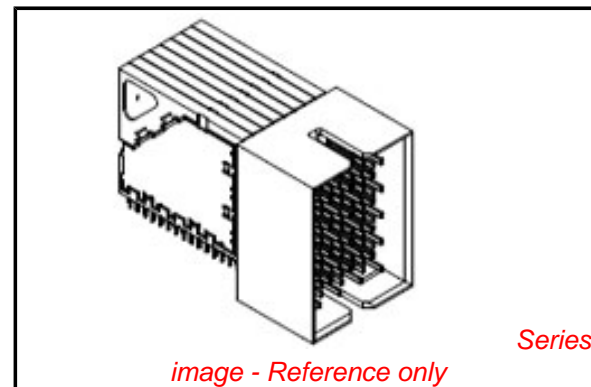
Electrical

| | |
|-------------------------------|-----------|
| Current - Maximum per Contact | 0.5A |
| Data Rate | 10.0 Gbps |
| Shielded | No |
| Voltage - Maximum | 250V AC |

Material Info

Reference - Drawing Numbers

| | |
|-------------------------|---------------|
| Packaging Specification | PK-70873-0064 |
| Sales Drawing | SD-76715-608 |



EU RoHS

**ELV and RoHS
Compliant**
REACH SVHC
 Not Reviewed
Halogen-Free
Status
Not Reviewed

China RoHS



**Need more information on product
environmental compliance?**

Email productcompliance@molex.com
 For a multiple part number RoHS Certificate of Compliance, [click here](#)

Please visit the [Contact Us](#) section for any non-product compliance questions.

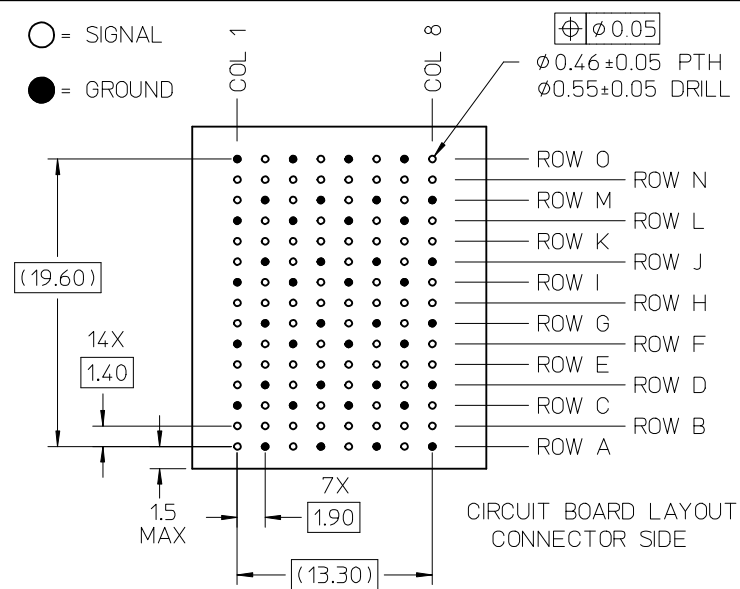
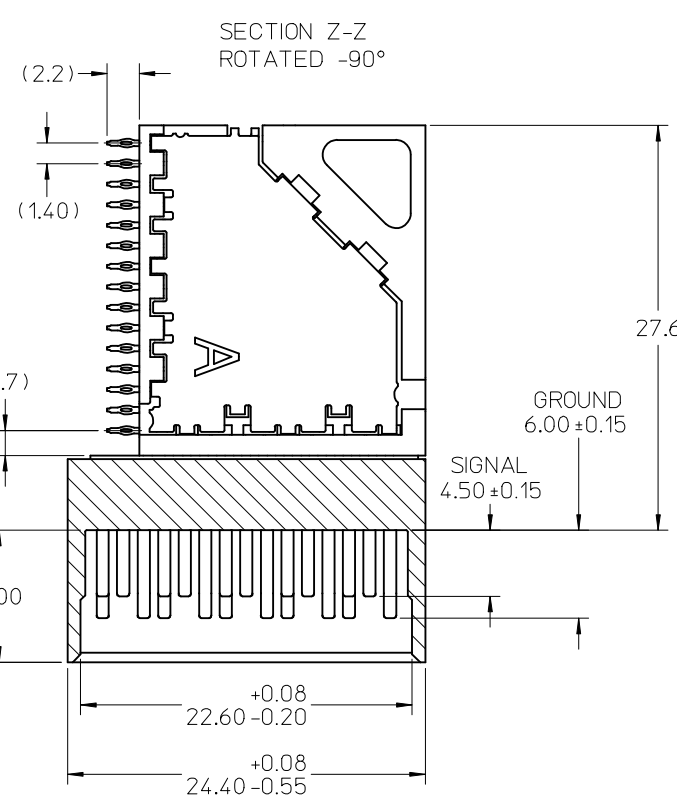
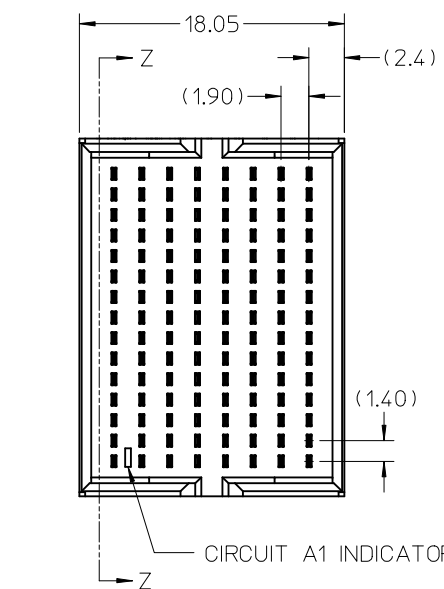
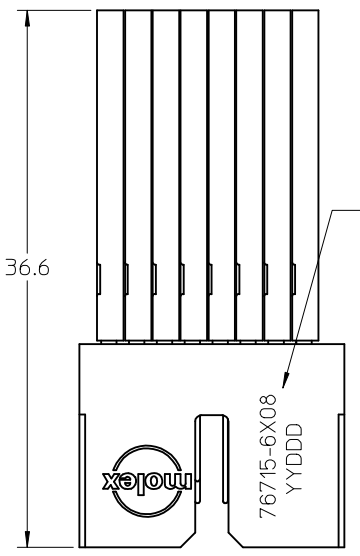
Search Parts in this Series

76715Series

This document was generated on 05/14/2010

PLEASE CHECK WWW.MOLEX.COM FOR LATEST PART INFORMATION

| | |
|-------------|--------------|
| 10 | 9 |
| PART NUMBER | TAIL PLATING |
| 76715-6008 | MATTE TIN |
| 76715-6108 | TIN/LEAD |



- NOTES:
1. MATERIALS: CONTACTS - COPPER ALLOY; HOUSING - LIQUID CRYSTAL POLYMER (LCP), UL 94V-0, BLACK
 2. FINISHES: SELECTIVE GOLD (Au) IN CONTACT AREA, SELECTIVE MATTE TIN (Sn) OR TIN/LEAD (Sn/Pb) IN TAIL AREA, NICKEL (Ni) OVERALL.
 3. PARTS PACKAGED PER PK-70873-0064.
 4. THESE PARTS CONFORM TO MOLEX PRODUCT SPECIFICATION PS-76706-999.
 5. THESE PARTS CONFORM TO MOLEX COSMETIC SPECIFICATION PS-45499-002 CLASS B.
 6. MINIMUM CIRCUIT BOARD THICKNESS: 1.4

| | | | | | | |
|---|--|---|--------------------------------------|--------------|--|------------------------|
| INITIAL RELEASE EC NO: UCP2009-1208 DRWN: JBINGHAM 2008/11/11 CHKD: 2008/11/13 APPR: JLAURX 2008/11/14 REV A | QUALITY SYMBOLS ▽=0 ▽=0 | GENERAL TOLERANCES (UNLESS SPECIFIED) mm INCH 4 PLACES ± --- ± --- 3 PLACES ± --- ± --- 2 PLACES ± 0.13 ± --- 1 PLACE ± 0.25 ± --- ANGULAR ± 2° | DIMENSION STYLE MM ONLY | SCALE 3:1 | DESIGN UNITS METRIC | THIRD ANGLE PROJECTION |
| | DRAWN BY DATE JBINGHAM 2008/06/17 | | CHECKED BY DATE JLAURX 2008/06/17 | | TITLE TINMAN 5-PAIR 85-OHM 8-COLUMN RT.ANGLE HEADER DUAL END SALES ASSEMBLY | |
| | APPROVED BY DATE RNELSON 2008/06/17 | | MATERIAL NO. | | DOCUMENT NO. SD-76715-608 | |
| | DRAFT WHERE APPLICABLE MUST REMAIN WITHIN DIMENSIONS | | SEE CHART | | SHEET NO. 1 OF 1 | |