

PLEASE CHECK WWW.MOLEX.COM FOR LATEST PART INFORMATION

Part Number: [0885235219](#)
Status: **Active**
Overview: [fiber optic product families](#)
Description: SC-to-SC, Multimode, 62.5/125µm, Duplex, 3.00mm (.118"), Standard Fiber Optic Cable Assembly, 20.0m (65.62')

Documents:

[Drawing \(PDF\)](#) [RoHS Certificate of Compliance \(PDF\)](#)

General

Product Family	Fiber Optic Assemblies
Series	88523
Connector to Connector	SC-to-SC
Mode	Multimode
Overview	fiber optic product families
Product Name	SC

Physical

Cable Length	20.0m (65.62')
Cable Size	3.00mm (.118")
Fiber (Core/Cladding)	62.5/125µm
Single Ended	No
Wire/Cable Type	Duplex

Material Info

Reference - Drawing Numbers

Sales Drawing	SD-88523-059
---------------	--------------

EU RoHS

**ELV and RoHS
Compliant**

REACH SVHC

Not Reviewed

Halogen-Free

Status

Not Reviewed

China RoHS



**Need more information on product
environmental compliance?**

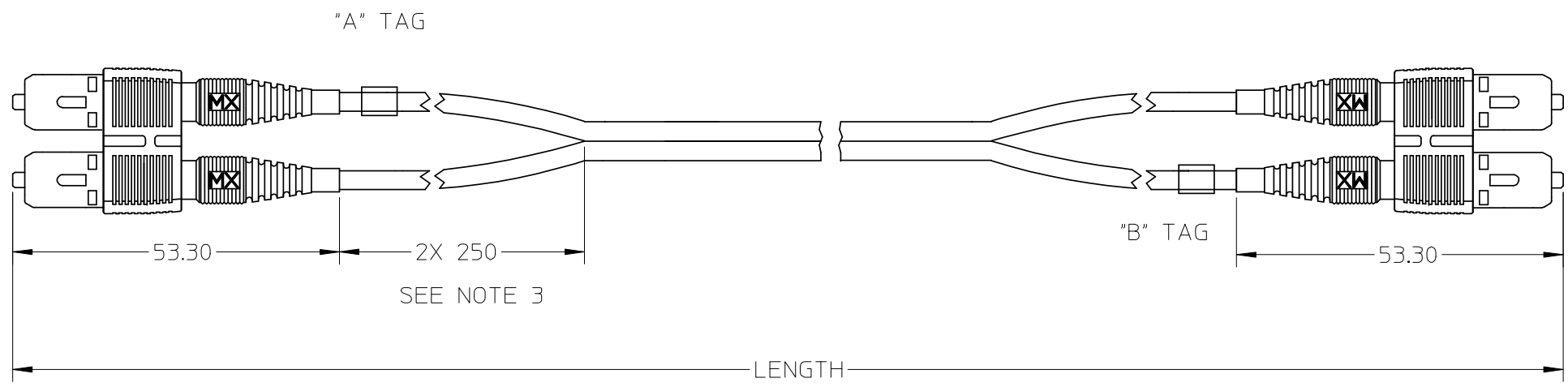
Email productcompliance@molex.com
For a multiple part number RoHS Certificate of
Compliance, [click here](#)

Please visit the [Contact Us](#) section for any
non-product compliance questions.

Search Parts in this Series

[88523Series](#)

E E



D D

C C

885235219	SC-SC DUP MM 62.5/125 3MM 20M	20000(+200/-0)
885235214	SC-SC DUP MM 62.5/125 3MM 15M	15000(+200/-0)
885235209	SC-SC DUP MM 62.5/125 3MM 10M	10000(+200/-0)
885235206	SC-SC DUP MM 62.5/125 3MM 0.3M	300(+100/-0)
885235205	SC-SC DUP MM 62.5/125 3MM 6M	6000(+200/-0)
885235204	SC-SC DUP MM 62.5/125 3MM 5M	5000(+200/-0)
885235202	SC-SC DUP MM 62.5/125 3MM 3M	3000(+200/-0)
885235201	SC-SC DUP MM 62.5/125 3MM 2M	2000(+200/-0)
885235200	SC-SC DUP MM 62.5/125 3MM 1M	1000(+100/-0)
MX P/N	DESCRIPTION	LENGTH

B B

NOTES:

1. DUST CAPS ARE NOT SHOWN
2. PER CHANNEL 850nm
IL<=0.50dB
3. IF CABLE LENGTH IS LESS THAN 0.7M, CABLE SPLIT LENGTH IS 50MM FROM END OF THE BOOT.

A A

ENTER DESCRIPTION EC NO: DG2009-0023 DRWN:XPCHEN CHKD: APPR: JOWANG 2008/08/04 2008/08/04 2008/08/04	QUALITY SYMBOLS ▽=0 ▽=0	GENERAL TOLERANCES (UNLESS SPECIFIED)		DIMENSION STYLE MM ONLY		SCALE ---	DESIGN UNITS METRIC	THIRD ANGLE PROJECTION	
			mm	INCH	DRAWN BY XP	DATE 2008/07/17	TITLE SC-SC DUP MM 62.5 3MM		
		4 PLACES	±---	±---	CHECKED BY LISA	DATE 2008/07/17	APPROVED BY MOLEX MOLEX INCORPORATED		
		3 PLACES	±---	±---	APPROVED BY JOHNNY	DATE 2008/07/17	MATERIAL NO. SEE TABLE		DOCUMENT NO. SD-88523-059
			2 PLACES	±---	±---	DRAFT WHERE APPLICABLE MUST REMAIN WITHIN DIMENSIONS			
			1 PLACE	±---	±---	THIS DRAWING CONTAINS INFORMATION THAT IS PROPRIETARY TO MOLEX INCORPORATED AND SHOULD NOT BE USED WITHOUT WRITTEN PERMISSION			
			ANGULAR ±---°						